



E & C Series

NAMUR Mount Solenoid Valves for Pneumatic Valve Actuators



Assured Automation's E & C series solenoid valves feature a NAMUR mounting pattern that allows for easy installation to any pneumatic valve actuator that also has a NAMUR mounting pattern. The body of the valve has a flat face with ports, o-ring recesses, and bolt holes that match those on the actuator. The bolts pull this face against the face of the actuator and compress the o-rings around the ports to form a reliable air-tight seal around each port.

The E series is only available in a 3-way configuration, which is most effective on spring return or fail-safe actuators where high speed open or close is not important. The C series is available in 3-way or 4-way configuration, which can be used on spring return or double acting actuators. Manual overrides (guarded, momentary, push-to-operate) are standard on all C series solenoid/pilot valves.

SPECIFICATIONS

Ports: 1/4" NPT

NAMUR Pattern: Size 1/4"

Operating Pressure Range:

E Series: 0 to 150 PSI

C Series: 15 to 115 PSI

Operating Temperature Range:

E Series: -4 to 104° F

C Series: -4 to 104° F

FEATURES

- NAMUR mounting pattern
- NEMA 4/4X or NEMA 7 coils
- Variety of electrical connection types
- Variety of voltages
- Manual override on C series 3/4-way models
- Mount in any orientation

TYPICAL APPLICATIONS

- Controlling supply air to operate pneumatic valve actuators

APPROVALS & CERTIFICATIONS

- AC coils are UL and CSA approved

WHAT'S INCLUDED

- Valve
- Coil
- Electrical Connector of Choice
- (2x) Mounting Screws
- (2x) O-rings
- Vent port filter plugs

MATERIALS OF CONSTRUCTION

Part	Material
Valve Body	Anodized Aluminum
Plunger	Anodized Aluminum
Valve Seals	NBR
Screws	Stainless Steel
O-rings	NBR
Coil	Epoxy molded with 3 spade terminals

C_v FACTORS

Type	C _v (gpm)
E	0.08
C	0.75

SCHEMATICS

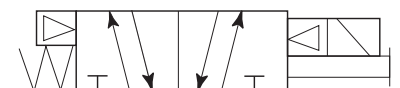
E

3-way

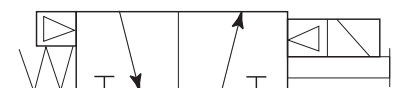


C

4-way



3-way





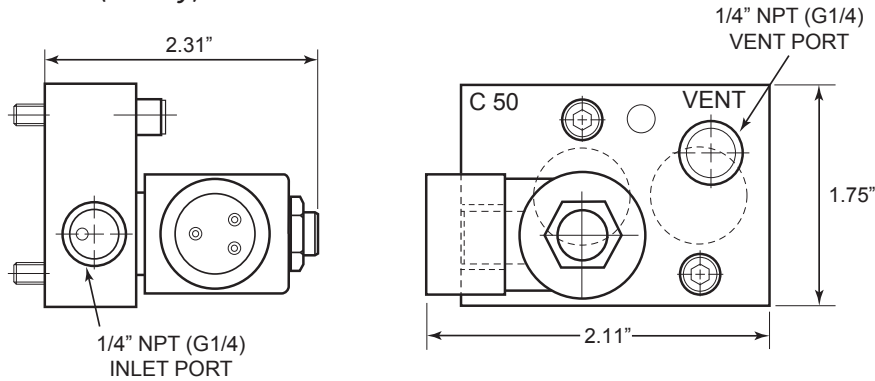
E & C Series



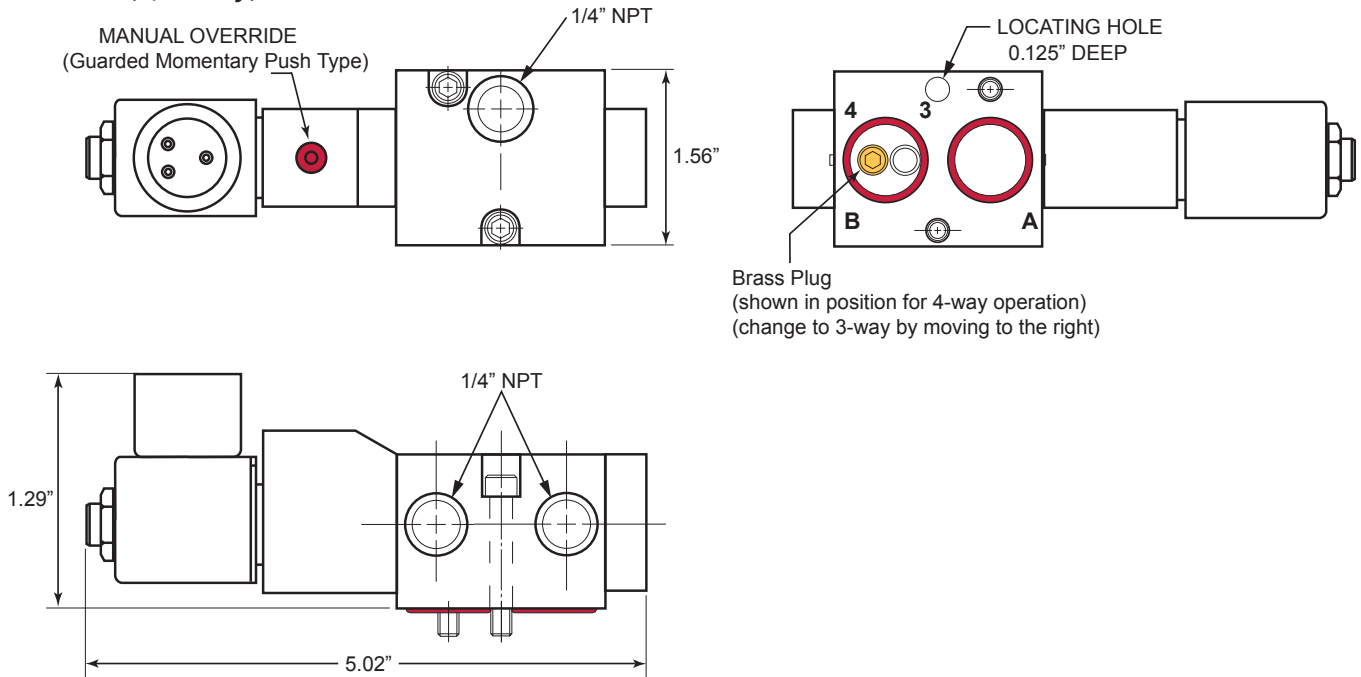
NAMUR Mount Solenoid Valves for Valve Actuators

DIMENSIONS

E Series (3-way)



C Series (3/4-way)



CONNECTORS

1



Potted 1/2" Conduit
NEMA 4/4X

2



Potted 1/2" Conduit
NEMA 4/4X & 7
UL Listed, CSA Approved

3



Mini DIN Cord Grip PG9
NEMA 4/4X

4



Mini DIN 1/2" Conduit
NEMA 4/4X

5 & 6



Mini DIN Corded
NEMA 4/4X
5 = 6' cord, 6 = 15' cord



E & C Series

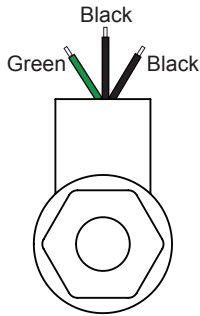


NAMUR Mount Solenoid Valves for Valve Actuators

WIRING

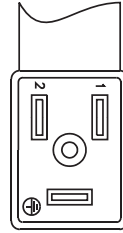
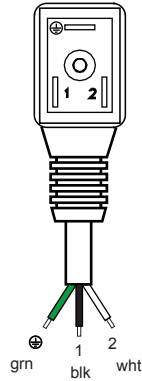
Potted Conduit w/ Wire Leads

- (2x) Black = + / -
- (1x) Green = Ground



Cord Grip Cable Gland, Conduit, and Corded

- Normal polarity:** 1 (Black) = (+) Positive, High
 2 (White) = (-) Negative, Neutral
 ⊕ (Green) = Ground



ORDERING INFORMATION

E	3	F
Type	Connector	Voltage

Type: _____

- E** = 3-way, 2-position
- C** = 3 or 4-way, 2-position

Connector: _____

Weatherproof (NEMA 4/4X)

- 1** = 1/2" Conduit, Potted
- 3** = Mini DIN Cord Grip Cable Gland (PG9)
- 4** = Mini DIN 1/2" Conduit
- 5** = Mini DIN Molded Cord set (6' cord)
- 6** = Mini DIN Molded Cord set (15' cord)

Explosion Proof (NEMA 4/4X & 7)

- 2** = 1/2" Conduit, Potted (UL listed & CSA Approved)

Voltage: _____

AC

- E** = 24 VAC
- A** = 120 VAC
- C** = 220 VAC

DC

- F** = 12 VDC
- B** = 24 VDC
- J** = 48 VDC