

# YX Series

## Limit Switch Box



The YX series hazardous location limit switch provides a compact design and cost effective solution for both visual and remote electrical indication of valve/actuator position. The heavy-duty design and wide variety of option make the YX series the ideal multipurpose limit switch for use in NEMA 4, 4X, 7 and 9 applications.

### FEATURES

- IP67 weather proof enclosure.
- UL and CUL listed ATEX explosion proof design.
- Environmentally sealed high visibility 3D position indicator.
- Housing conforms to NAMUR VDI/VDE3845 dimensional standards and ISO F05 bolt hole locations to maximize interchangeability and eliminate the need for an additional coupler.
- Easy-Set splined cams for tool-free calibration and positive vibration resistant engagement.
- Unique twin-shaft design for easy and accurate assembly. This also minimizes clearance requirements for cover removal and reinstallation.
- Standard PCB and extra solenoid terminals.
- Many switch options available.

### MATERIALS OF CONSTRUCTION

#### Body:

Die cast aluminum, dichromated and polyester powder coated.

#### Indicator Dome:

UV resistant V0 polycarbonate.

#### Shaft:

Stainless steel.

#### Fasteners:

Stainless steel.

### TEMPERATURE RANGE

-13°F to 176°F

### YX SERIES MODEL NUMBERING

Model Number: **YX** X X X X **0** X

Indicator Type: \_\_\_\_\_

- B** = 3-way
- L** = 3-way, L port
- T** = 3-way, T port
- Z** = 3-way, T port, blocked center

Switch Type: \_\_\_\_\_

- 01** = Electromech SPDT Ag plated contacts
- 03** = Electromech SPDT Au plated contacts
- 05** = Electromech DPDT Ag plated contacts
- 10** = Proximity SPST
- 13** = Proximity SPST, bifurcated
- 14** = Proximity SPDT
- 16** = Proximity DPDT
- 70** = Proximity NAMUR P+F NJ2-V3-N
- 71** = Proximity NO P+F NBB2-V3-US
- 73** = Proximity PNP NO P+F NBB3 V3 E2
- AS** = AS-interface
- DA** = Electromech two DPDT, two SPDT\*
- DB** = Electromech two DPDT, two SPDT\*\*
- DC** = Electromech SPDT\*
- DD** = Electromech SPDT\*\*
- TA** = Transmitter, two mechanical SPDT
- TX** = Transmitter only

Switch Quantity: \_\_\_\_\_

1 to 4 according to type

Terminal Strip: \_\_\_\_\_

- 0** = Circuit board strip
- 1** = AS-i terminal connections

Cable Entry: \_\_\_\_\_

- E** = Two 1/2" NPT
- G** = Two 1/2" NPT, one 3/4" NPT

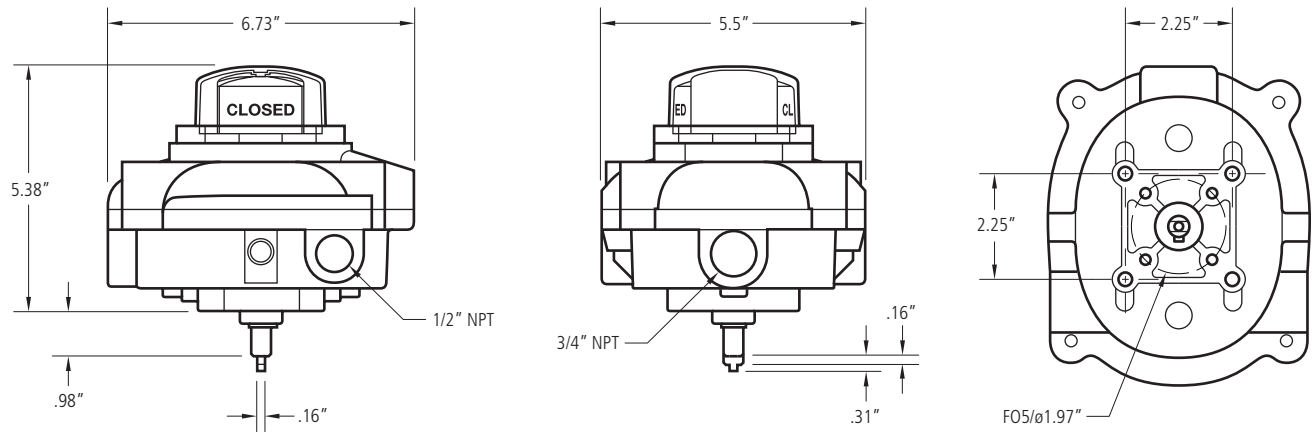
\* For double acting.

\*\* For spring return.

# YX Series

## Limit Switch Box

(Heavy-duty design for hazardous locations)



### YX APPROVALS

- Class I Groups C and D, Div. 1.
- Class I Groups A, B, C and D, Div. 2.
- Class II Groups E, F and G, Div. 1.
- Class II Groups F and G, Div. 2.