



WM-NLD Series Lead Free Brass Positive Displacement Water Meters



The WM-NLD is a positive displacement meter that is suitable for use on potable drinking water systems. The meters have a low starting flow rate and excellent accuracy within the normal flow range.

All sizes include an internal reed switch and for pulse output with a 2 foot long, 2-wire cable emerging from the meter. All sizes produce 1 pulse per gallon.



FEATURES

- Meter body made of lead free brass
- Easy to read "odometer" style register, with full-face dial and smaller inset dial for finer increments
- Low starting flow rate and high accuracy
- Accurately meters in any orientation
- Triangular spinner for low-flow and leakage indication
- Register can be removed for replacement or repair WITHOUT removing meter from the line.
- Heat treated glass lens protects register and dials from damage, dirt, and moisture
- Hinged protective cover opens more than 180° for ease of viewing register
- Magnetic drive offers very low transmission resistance
- Pulse output cable produces 1 pulse per gallon for easy addition of digital counter or use with PLC or HMI

SIZES & END CONNECTIONS

NPT (male) Threaded: 1/2" to 1"

Flanged: 1 1/2" & 2"

Note: Threaded meter bodies have straight meter threads. These models come with a set of meter to NPT adapters. Flanged meters DO NOT INCLUDE FLANGES. Flange kits that include 2 flanges, 2 gaskets, and 4 nut & bolt sets can be ordered.

MAXIMUM PRESSURE

up to 150 PSI

MAXIMUM TEMPERATURE

122°F

ACCESSORIES (see page 3 for details)

- Digital pulse counter
- Check valve
- Garden hose adapters

TYPICAL APPLICATIONS

- Residential cold water metering
- Multi-unit building submetering

APPROVALS & CERTIFICATIONS

- Meets NSF 61 Annex G Lead Free Standards
- Conforms to AWWA C700



AWWA C700

American Water Works
Association

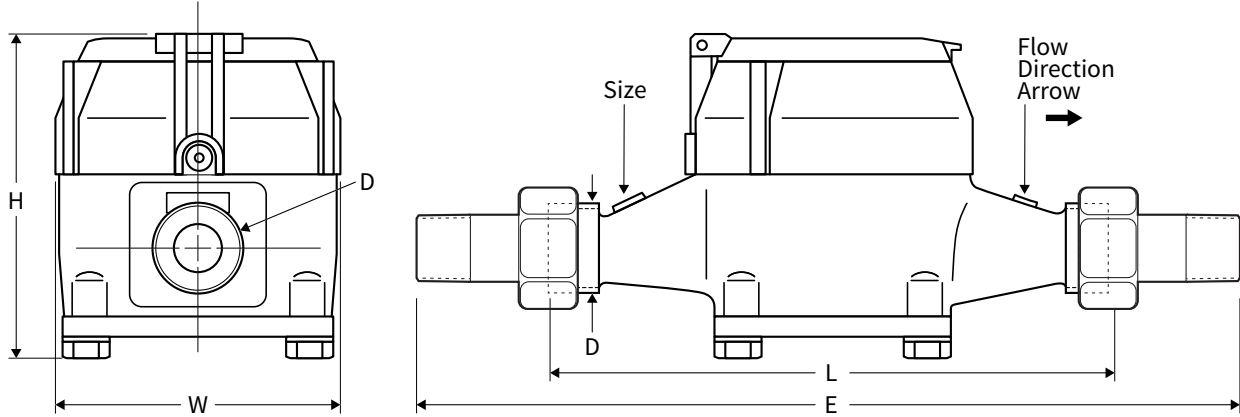


WM-NLD



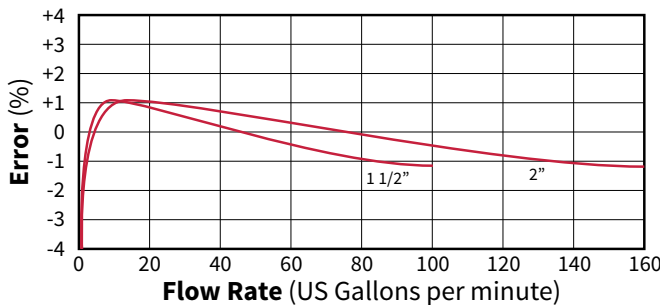
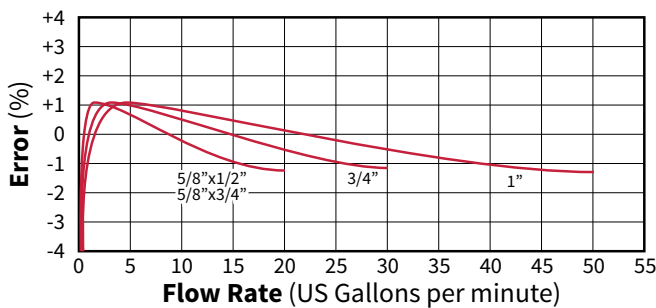
Lead Free Brass Positive Displacement Water Meters

DIMENSIONS

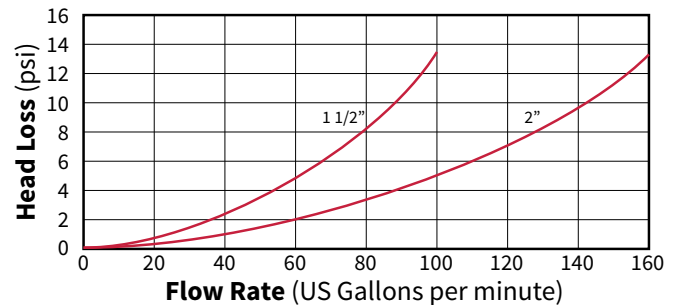
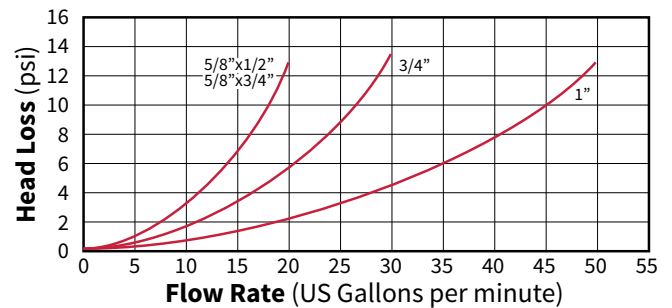


	D	E	L	W	H	Weight	High Flow	Cont. Flow	Low Flow	Normal Flow	Max. Reading	Increment
050	0.75	10.20	7.5	3.813	4.875	4	20	15	1/8	1-20	9,999,999.99	0.01
075	1	11.57	7.5	4.313	5	4	20	15	1/8	1-20	9,999,999.99	0.01
7575	1	11.57	7.5	4.313	5	6	30	15	1/4	2-30	9,999,999.99	0.01
100	1.25	15.65	10.75	6.75	7.25	11	50	25	1/4	3-50	9,999,999.99	0.01
150	Flange	N/A	13	7.875	8.5	23.5	100	50	1 1/2	5-100	99,999,999.9	0.1
200	Flange	N/A	17	9.375	10.5	41	160	80	2	8-160	99,999,999.9	0.1

ACCURACY CURVES



HEAD LOSS CURVES (pressure drop)





WM-NLD



Lead Free Brass Positive Displacement Water Meters

ORDERING INFORMATION

WM - NLD - 050 - R/1P

Series	Size	Pulse Output
--------	------	--------------

Series: _____

WM-NLD = Lead Free Brass Positive Displacement Water Meter

Size: _____

050	= 1/2"	(1-20 gpm)
075	= 3/4"	(1-20 gpm)
7575	= 3/4"	(2-30 gpm)
100	= 1"	(3-50 gpm)
150	= 1 1/2"	(5-100 gpm)
200	= 2"	(8-160 gpm)

Pulse Output: _____

R/1P = 1 pulse per gallon (*all sizes*)

ACCESSORIES

All accessories for this meter ship loose with the meter. To order any accessories use the part numbers listed below

Garden Hose Adapters (set):



One NPT Female x Male Garden Hose Thread
One NPT Female x Female Garden Hose Thread

Attach these adapters to the meter ensuring that the flow direction is correct to use the meter inline on any standard garden hose.

WMGHA050 = Garden Hose Adapter set for 1/2" meters

WMGHA075 = Garden Hose Adapter set for 3/4" meters

Only available for sizes 1/2" and 3/4".

Check Valves:



Lead free brass check valves are available to prevent reverse flow through meter. Reverse flow will deduct from the meter's total. The use of a check valve will also prevent the meter and upstream water from being contaminated by debris or additives like fertilizer that get added downstream from the meter.

C112CVLFN = 1/2" NPT Lead Free Brass Check Valve

D112CVLFN = 3/4" NPT Lead Free Brass Check Valve

E112CVLFN = 1" NPT Lead Free Brass Check Valve

G112CVLFN = 1 1/2" NPT Lead Free Brass Check Valve

H112CVLFN = 2" NPT Lead Free Brass Check Valve

Digital Display with Reset:



Add a remote digital display that can be reset to simplify reading. Simply attach the 2 wires from the meters pulse output to terminals #2 and #6 on the display.

KAL-D06 = digital display only (for panel mount)

KAL-D06-DIN32-ENC = digital display in weatherproof enclosure

Digital Display with Touch-read:



The T210 Electronic reader is a digital pulse reader that works with any mechanical water meters with a pulse output switch. It has a weatherproof design, and long battery life. The optional touch-reader (PSR140) can read and store up to 800 readings (before the need to download) to track usage of different meters as part of a commercial water management system.

T210 = weatherproof digital display