

STW Series

Resilient-Seated Wafer Style Butterfly Valve



The STW is a resilient-seated 125/150, ductile iron, wafer style butterfly valve available with either EPDM or BUNA-N seats and 316SS disc (other materials available upon request). It can be equipped with a manual handle or with pneumatic or electric actuators.

A full range of accessory items are available including limit switches, solenoid valves, positioners and manual override devices.

FEATURES

- Silicone free construction.
- Economy and high performance.
- One-piece body and self-centering disc.
- Seat facing acts as flange gasket.
- 3 shaft bushings support actuation.
- Shaft sealing against external leakage.
- Meets MSS SP-67 and API-609 specs.
- Complete line of accessories.

TYPICAL APPLICATIONS

- Water and waste effluent treatment plants.
- Paper, textiles and sugar industry.
- Construction industry, and drilling production.
- Heating, air conditioning, and cooling water circulation.
- Pneumatic conveyors, and vacuum applications.
- Compressed air, gas and desulphurization plants.
- Brewing, distilling, and chemical process industry.
- Transportation and dry bulk handling.
- Power industry.

ACTUATOR CONFIGURATIONS

- Electric.
- Pneumatic (spring return).
- Pneumatic (double acting).
- Manual handle.
- Manual handle with limit switch.

PRESSURE RANGE

29 inHg vacuum to 225 PSI

TEMPERATURE RANGE

-22°F to 230°F (EPDM)
-4°F to 194°F (BUNA-N)

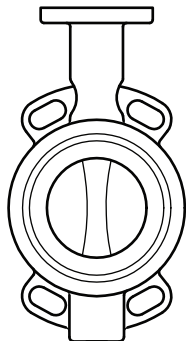
MATERIALS OF CONSTRUCTION

Seat:
EPDM or BUNA-N.

Disc:
316 stainless steel.

Body:
Epoxy coated ductile iron.

Wafer Style Valve ▶
Installs between flanges.
Bolts span the body.



APPROVALS & CERTIFICATIONS

- ISO 9001 certified by LRQA, no. K981064.
- Canada registration no. CRN 0C0569.9C.
- CE/PED approved by Lloyds, no. RPS0160308/01.
- Products approved by South Africa SABS, no. 7222/145532/VH136.
- Designed to MSS SP-67, API 609.

PRESSURE TESTING

Body hydro: 24 bar (343 PSI)
Seat hydro: 17.6 bar (243 PSI)

STW Series

Resilient-seated butterfly valve
(Wafer style)

CV FACTORS

Size	CV at Specified Disc Opening							
	20°	30°	40°	50°	60°	70°	80°	90°
1-12"	3	5	11	18	26	45	70	80
2"	8	9	18	28	55	72	110	135
2-1/2"	10	15	27	44	85	110	168	210
3"	15	23	39	65	130	165	250	310
4"	27	41	71	115	230	300	465	540
5"	58	86	150	245	480	610	980	1100
6"	96	140	245	400	785	1010	1615	1910
8"	165	245	410	685	1275	1715	2670	3185
10"	255	380	650	1130	2100	2700	4250	4900
12"	370	540	950	1570	3050	3950	5950	7350
14"	450	750	1300	2210	4080	5610	8078	11200
16"	640	900	1720	2790	5000	7650	10770	12900
18"	730	1250	2295	3700	7050	9180	13900	17500
20"	910	1595	2850	4630	8600	11500	17540	22400
24"	1250	2290	4000	6090	12500	16500	23590	28300

PARTS

- 1. Retainer Screw:** SS41 steel/plated.
- 2. Retainer Plate:** SS41 steel/plated.
- 3. Packing and O-Ring:** EPDM.
- 4. Upper Shaft:** SUS410 stainless steel.
- 5. Body:** Ductile iron (GGG40).
- 6. Seat:** BUNA-N (NBR) or EPDM.
- 7. Disc:** 316SS (CF8M) stainless steel.
- 8. Lower Shaft:** SUS410 stainless steel.
- 9. Plug:** SS41 stainless steel.

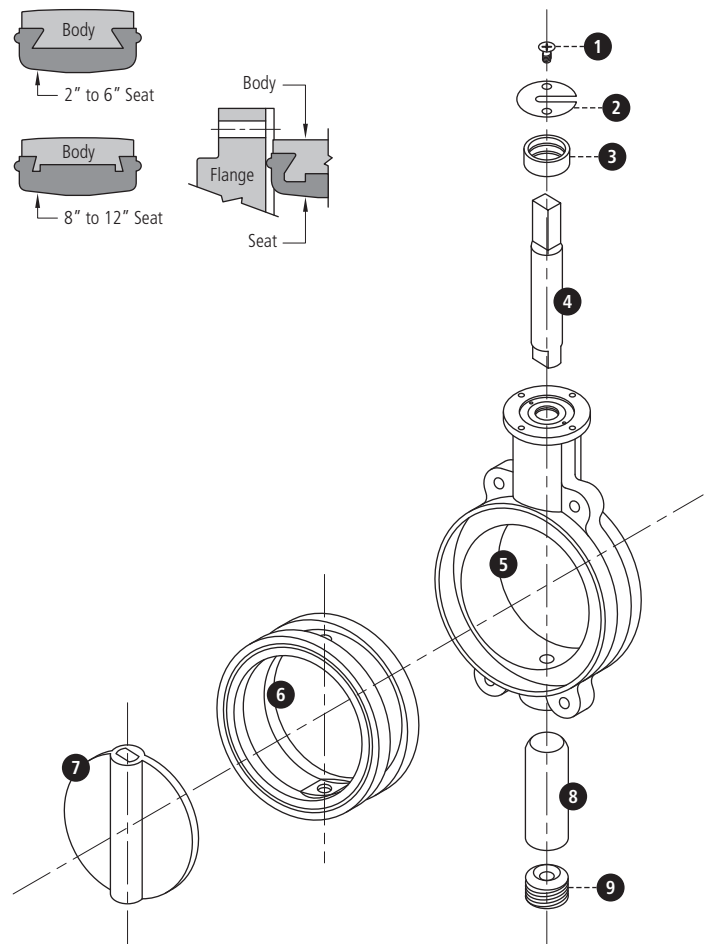
SEAT MATERIAL FEATURES

EPDM

- Ethylene propylene diene monomer rubber.
- Applications include water and steam, sea water, brine, esters, ketone, alkalis and caustic soda.
- Not recommended for hydrocarbons, oils or fats.

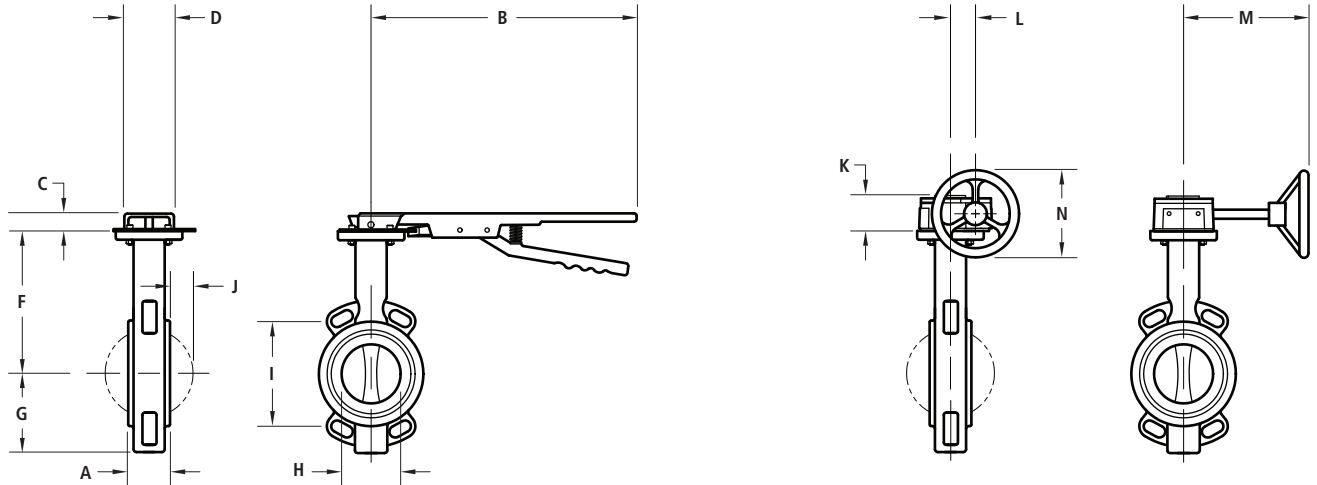
BUNA-N (NBR)

- Butadiene and acrylonitrile copolymer.
- Applications include hydrocarbons, natural gas, oils, fat, air and gasoline.
- Not recommended for solvents, benzene or xylol.



STWM / STWG Series

Wafer style butterfly valve with latch handle (STWM) or gear operator (STWG)
(Manual operation)



DIMENSIONS, WEIGHTS & SPECIFICATIONS

Size	A	B	C	D	E	F	G	H	I	J	Wt.* (lbs.)	Model No. (STWM)	
												EPDM	BUNA-N
2"	1.69	11.38	1.06	1.34	2.16	5.24	2.95	1.99	3.70	.18	13.3	HSTWESM	HSTWBSM
2-1/2"	1.81	11.38	1.06	1.34	2.16	5.55	3.15	2.61	4.29	.41	14.3	ISTWESM	ISTWBSM
3"	1.81	11.38	1.06	1.34	2.16	5.71	3.74	3.11	4.48	.67	15.3	JSTWESM	JSTWBSM
4"	2.05	11.38	1.06	1.34	2.16	6.56	4.33	3.92	5.79	.94	19.3	KSTWESM	KSTWBSM
5"	2.20	11.38	1.06	1.34	2.16	7.50	4.84	4.89	6.81	1.36	25.7	LSTWESM	LSTWBSM
6"	2.20	11.38	1.06	1.34	2.16	8.13	5.63	5.89	7.95	1.86	30.1	MSTWESM	MSTWBSM
8"	2.36	17.84	1.02	1.77	1.65	9.45	6.61	7.70	9.88	2.69	53.7	NSTWESM	NSTWBSM
10"	2.68	17.84	1.02	1.77	2.08	11.26	7.99	9.72	12.52	3.52	84.0	OSTWESM	OSTWBSM
12"	3.07	17.84	1.02	1.77	2.08	12.32	9.53	11.63	14.25	4.28	145.0	PSTWESM	PSTWBSM

* Weight is for valve only.

STW VALVE FEATURES

- Silicone free wafer style butterfly valve.
- Ductile iron body.
- 316 stainless steel disc and 410 stainless steel stem.
- EPDM and BUNA-N seats.
- Mounting pad for direct mount actuator per ISO 5211.
- Pressure range: 29 inHg vacuum to 225 PSI.

LEVER HANDLE FEATURES

- 10 position latch plate.

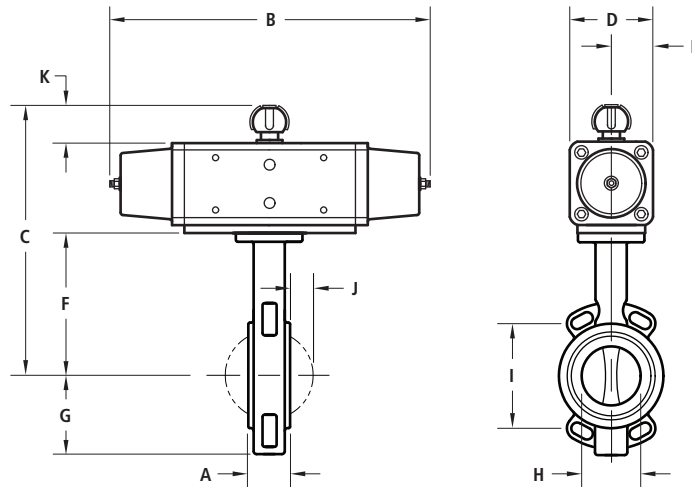
ADDITIONAL DIMENSIONS & SPECIFICATIONS

Size	K	L	M	N	Gear Operator	Model No. (STWG)	
						EPDM	BUNA-N
2"	2.84	1.77	6.62	5.79	24:1	HSTWESG	HSTWBSG
2-1/2"	2.84	1.77	6.62	5.79	24:1	ISTWESG	ISTWBSG
3"	2.84	1.77	6.62	5.79	24:1	JSTWESG	JSTWBSG
4"	2.84	1.77	6.62	5.79	24:1	KSTWESG	KSTWBSG
5"	2.84	1.77	6.62	5.79	24:1	LSTWESG	LSTWBSG
6"	2.84	1.77	6.62	5.79	24:1	MSTWESG	MSTWBSG
8"	3.31	2.60	7.53	11.82	30:1	NSTWESG	NSTWBSG
10"	3.31	2.60	7.53	11.82	30:1	OSTWESG	OSTWBSG
12"	3.31	2.60	10.54	11.82	30:1	PSTWESG	PSTWBSG

STWOSR Series

Wafer style butterfly valve with spring return pneumatic actuator

(Actuators are sized for 150 PSI liquid media line pressure, contact factory for higher line pressure ratings)



DIMENSIONS, WEIGHTS & SPECIFICATIONS

Size	A	B	C	D	E	F	G	H	I	J	K	Actuator	Wt. (lbs.)	Model No.	
														EPDM	BUNA-N
80 psig Minimum Actuator Air Supply = 85															
2"	1.69	11.58	9.08	2.83	1.41	5.24	2.95	1.99	3.70	.18	.79	PS045	13.3	HSTWES08S	HSTWBS08S
2-1/2"	1.81	11.58	9.39	2.83	1.41	5.55	3.15	2.61	4.29	.41	.79	PS045	14.3	ISTWES08S	ISTWBS08S
3"	1.81	11.58	9.55	2.83	1.41	5.71	3.74	3.11	4.48	.67	.79	PS045	15.3	JSTWES08S	JSTWBS08S
4"	2.05	11.58	10.40	2.83	1.41	6.56	4.33	3.92	5.79	.94	.79	PS045	19.3	KSTWES08S	KSTWBS08S
5"	2.20	12.60	12.06	3.15	1.57	7.50	4.84	4.89	6.81	1.36	1.18	PS060	25.7	LSTWES08S	LSTWBS08S
6"	2.20	14.06	13.09	3.54	1.77	8.13	5.63	5.89	7.95	1.86	1.18	PS090	30.1	MSTWES08S	MSTWBS08S
8"	2.36	17.18	15.27	4.41	2.20	9.45	6.61	7.70	9.88	2.69	1.18	PS180	53.7	NSTWES08S	NSTWBS08S
10"	2.68	22.28	18.27	5.37	2.54	11.26	7.99	9.72	12.52	3.52	1.18	PS360	84.0	OSTWES08S	OSTWBS08S
12"	3.07	22.28	19.33	5.37	2.54	12.32	9.53	11.63	14.25	4.28	1.18	PS360	145.0	PSTWES08S	PSTWBS08S
60 psig Minimum Actuator Air Supply = 65															
2"	1.69	14.06	10.20	3.54	1.77	5.24	2.95	1.99	3.70	.18	1.18	PS090-60	18.1	HSTWES06S	HSTWBS06S
2-1/2"	1.81	14.06	10.51	3.54	1.77	5.55	3.15	2.61	4.29	.41	1.18	PS090-60	19.1	ISTWES06S	ISTWBS06S
3"	1.81	14.06	10.67	3.54	1.77	5.71	3.74	3.11	4.48	.67	1.18	PS090-60	20.1	JSTWES06S	JSTWBS06S
4"	2.05	14.06	11.52	3.54	1.77	6.56	4.33	3.92	5.79	.94	1.18	PS090-60	24.1	KSTWES06S	KSTWBS06S
5"	2.20	17.18	13.32	4.41	2.20	7.50	4.84	4.89	6.81	1.36	1.18	PS180-60	38.7	LSTWES06S	LSTWBS06S
6"	2.20	17.18	13.95	4.41	2.20	8.13	5.63	5.89	7.95	1.86	1.18	PS180-60	40.7	MSTWES06S	MSTWBS06S
8"	2.36	22.28	16.46	5.37	2.54	9.45	6.61	7.70	9.88	2.69	1.18	PS360-60	68.0	NSTWES06S	NSTWBS06S
10"	2.68	24.00	18.47	5.71	2.71	11.26	7.99	9.72	12.52	3.52	1.18	PS480-60	91.2	OSTWES06S	OSTWBS06S
12"	3.07	28.05	20.83	6.52	3.11	12.32	9.53	11.63	14.25	4.28	1.18	PS720-60	185.7	PSTWES06S	PSTWBS06S

STW VALVE FEATURES

- Silicone free wafer style butterfly valve.
- Ductile iron body.
- 316 stainless steel disc and 410 stainless steel stem.
- EPDM and BUNA-N seats.
- Mounting pad for direct mount actuator per ISO 5211.
- Pressure range: 29 inHg vacuum to 225 PSI.

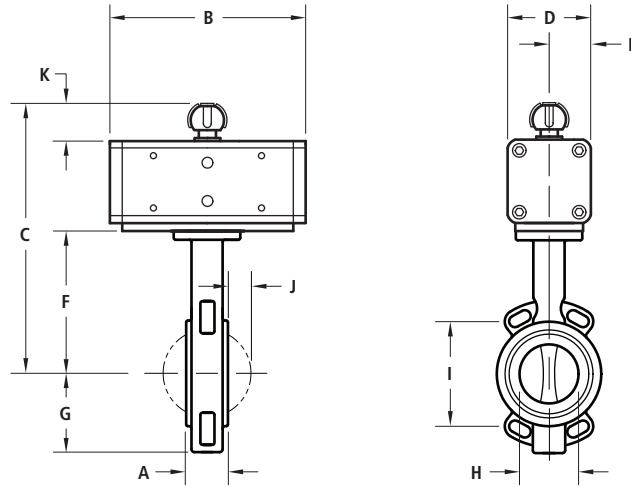
PNEUMATIC ACTUATOR FEATURES

- O Series spring return pneumatic actuator.
- Corrosion resistant coating.
- NAMUR solenoid mounting pad, ISO 5211 mounting standard.
- Visual position indicators.
- High duty cycle, permanent lubrication.
- Temperature range: -4°F to 175°F.

STWODA

Wafer style butterfly valve with double acting pneumatic actuator

(Actuators are sized for 150 PSI liquid media line pressure, contact factory for higher line pressure ratings)



DIMENSIONS, WEIGHTS & SPECIFICATIONS

Size	A	B	C	D	E	F	G	H	I	J	K	Actuator	Wt. (lbs.)	Model No.	
														EPDM	BUNA-N
80 psig Minimum Actuator Air Supply = 8D															
2"	1.69	6.65	9.08	2.83	1.41	5.24	2.95	1.99	3.70	.18	.79	PD090	12.1	HSTWES08D	HSTWBS08D
2-1/2"	1.81	6.65	9.39	2.83	1.41	5.55	3.15	2.61	4.29	.41	.79	PD090	13.1	ISTWES08D	ISTWBS08D
3"	1.81	6.65	9.55	2.83	1.41	5.71	3.74	3.11	4.48	.67	.79	PD090	14.1	JSTWES08D	JSTWBS08D
4"	2.05	6.65	10.40	2.83	1.41	6.56	4.33	3.92	5.79	.94	.79	PD090	18.1	KSTWES08D	KSTWBS08D
5"	2.20	6.65	11.34	2.83	1.41	7.50	4.84	4.89	6.81	1.36	.79	PD090	22.1	LSTWES08D	LSTWBS08D
6"	2.20	8.35	13.09	3.54	1.77	8.13	5.63	5.89	7.95	1.86	1.18	PD0180	27.5	MSTWES08D	MSTWBS08D
8"	2.36	8.35	14.41	3.54	1.77	9.45	6.61	7.70	9.88	2.69	1.18	PD0180	40.5	NSTWES08D	NSTWBS08D
10"	2.68	10.40	17.08	4.41	2.20	11.26	7.99	9.72	12.52	3.52	1.18	PD0360	64.9	OSTWES08D	OSTWBS08D
12"	3.07	10.40	18.14	4.41	2.20	12.32	9.53	11.63	14.25	4.28	1.18	PD0360	125.9	PSTWES08D	PSTWBS08D
60 psig Minimum Actuator Air Supply = 6D															
2"	1.69	6.65	9.08	2.83	1.41	5.24	2.95	1.99	3.70	.18	.79	PD090	12.1	HSTWES06D	HSTWBS06D
2-1/2"	1.81	6.65	9.39	2.83	1.41	5.55	3.15	2.61	4.29	.41	.79	PD090	13.1	ISTWES06D	ISTWBS06D
3"	1.81	6.65	9.55	2.83	1.41	5.71	3.74	3.11	4.48	.67	.79	PD090	14.1	JSTWES06D	JSTWBS06D
4"	2.05	6.65	10.40	2.83	1.41	6.56	4.33	3.92	5.79	.94	.79	PD090	18.1	KSTWES06D	KSTWBS06D
5"	2.20	6.65	11.34	2.83	1.41	7.50	4.84	4.89	6.81	1.36	.79	PD090	22.1	LSTWES06D	LSTWBS06D
6"	2.20	8.35	13.09	3.54	1.77	8.13	5.63	5.89	7.95	1.86	1.18	PD0180	27.5	MSTWES06D	MSTWBS06D
8"	2.36	8.35	14.41	3.54	1.77	9.45	6.61	7.70	9.88	2.69	1.18	PD0180	40.5	NSTWES06D	NSTWBS06D
10"	2.68	11.62	17.56	4.81	2.27	11.26	7.99	9.72	12.52	3.52	1.18	PD0480	67.5	OSTWES06D	OSTWBS06D
12"	3.07	11.62	18.62	4.81	2.27	12.32	9.53	11.63	14.25	4.28	1.18	PD0480	128.5	PSTWES06D	PSTWBS06D

STW VALVE FEATURES

- Silicone free wafer style butterfly valve.
- Ductile iron body.
- 316 stainless steel disc and 410 stainless steel stem.
- EPDM and BUNA-N seats.
- Mounting pad for direct mount actuator per ISO 5211.
- Pressure range: 29 inHg vacuum to 225 PSI.

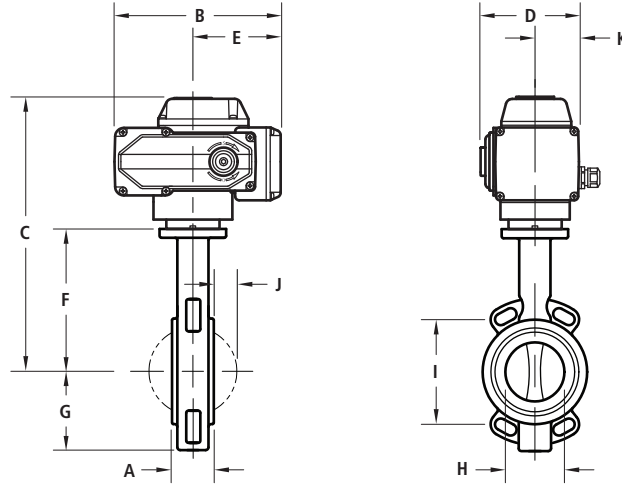
PNEUMATIC ACTUATOR FEATURES

- O Series double acting pneumatic actuator.
- Corrosion resistant coating.
- NAMUR solenoid mounting pad, ISO 5211 mounting standard.
- Visual position indicators.
- High duty cycle, permanent lubrication.
- Temperature range: -4°F to 175°F.

STWK4 Series

Wafer style butterfly valve with electric actuator

(Actuators are sized for 150 PSI liquid media line pressure, contact factory for higher line pressure ratings)



DIMENSIONS, WEIGHTS & SPECIFICATIONS

Size	A	B	C	D	E	F	G	H	I	J	K	Actuator	Wt. (lbs.)	Model No.	
														EPDM	BUNA-N
2"	1.69	8.17	11.68	4.82	4.33	5.24	2.95	1.99	3.70	.18	2.14	UNIC10	18.0	HSTWESK4	HSTWBSK4
2-1/2"	1.81	8.17	11.99	4.82	4.33	5.55	3.15	2.61	4.29	.41	2.14	UNIC10	19.0	ISTWESK4	ISTWBSK4
3"	1.81	8.17	12.15	4.82	4.33	5.71	3.74	3.11	4.48	.67	2.14	UNIC10	20.0	JSTWESK4	JSTWBSK4
4"	2.05	8.17	13.00	4.82	4.33	6.56	4.33	3.92	5.79	.94	2.14	UNIC10	24.0	KSTWESK4	KSTWBSK4
5"	2.20	8.17	13.94	4.82	4.33	7.50	4.84	4.89	6.81	1.36	2.14	UNIC10	28.0	LSTWESK4	LSTWBSK4
6"	2.20	8.17	14.57	4.82	4.33	8.13	5.63	5.89	7.95	1.86	2.14	UNIC10	30.0	MSTWESK4	MSTWBSK4
8"	2.36	10.10	16.73	6.16	5.25	9.45	6.61	7.70	9.88	2.69	2.46	UNIC20	51.0	NSTWESK4	NSTWBSK4
10"	2.68	15.00	20.47	9.53	7.85	11.26	7.99	9.72	12.52	3.52	4.13	UNIC60	95.2	OSTWESK4	OSTWBSK4
12"	3.07	15.00	21.53	9.53	7.85	12.32	9.53	11.63	14.25	4.28	4.13	UNIC60	156.2	PSTWESK4	PSTWBSK4

STW VALVE FEATURES

- Silicone free wafer style butterfly valve.
- Ductile iron body.
- 316 stainless steel disc and 410 stainless steel stem.
- EPDM and BUNA-N seats.
- Mounting pad for direct mount actuator per ISO 5211.
- Pressure range: 29 inHg vacuum to 225 PSI.

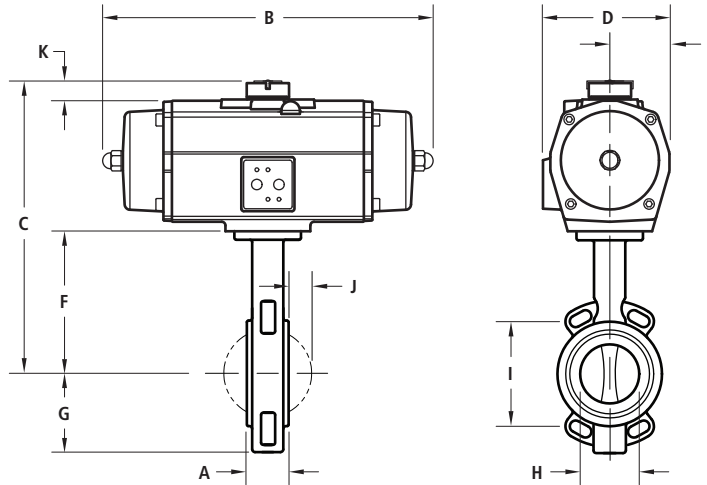
ELECTRIC ACTUATOR FEATURES

- K Series electric actuator.
- Actuator speed: 25 sec.
- Most voltages available.
- Quarter turn: 0-90° rotation.
- NEMA 4/4X certified by UL labs.
- ISO 5211 mounting standard.
- Visual position indicators.
- Self-locking drive train.
- Mounts in any direction.
- 1/2" NPT conduit connection.
- CSA-NRTL/C and CE certified.
- Temperature range: 0°F to 160°F.

STWESR Series

Wafer style butterfly valve with spring return pneumatic actuator

(Actuators are sized for 150 PSI liquid media line pressure, contact factory for higher line pressure ratings)



DIMENSIONS, WEIGHTS & SPECIFICATIONS

Size	A	B	C	D	E	F	G	H	I	J	K	Actuator	Wt. (lbs.)	Model No.	
														EPDM	BUNA-N
80 psig Minimum Actuator Air Supply = 85															
2"	1.69	9.80	10.16	4.19	1.93	5.24	2.95	1.99	3.70	.18	.79	ES65-5	15.9	HSTWESE8S	HSTWBSE8S
2-1/2"	1.81	9.80	10.47	4.19	1.93	5.55	3.15	2.61	4.29	.41	.79	ES65-5	16.9	ISTWESE8S	ISTWBSE8S
3"	1.81	9.80	10.63	4.19	1.93	5.71	3.74	3.11	4.48	.67	.79	ES65-5	17.9	JSTWESE8S	JSTWBSE8S
4"	2.05	9.80	11.48	4.19	1.93	6.56	4.33	3.92	5.79	.94	.79	ES65-5	21.9	KSTWESE8S	KSTWBSE8S
5"	2.20	14.17	13.92	5.39	2.52	7.50	4.84	4.89	6.81	1.36	.79	ES200-5	38.1	LSTWESE8S	LSTWBSE8S
6"	2.20	14.17	14.55	5.39	2.52	8.13	5.63	5.89	7.95	1.86	.79	ES200-5	40.1	MSTWESE8S	MSTWBSE8S
8"	2.36	15.24	17.37	7.12	3.41	9.45	6.61	7.70	9.88	2.69	.79	ES350-5	70.3	NSTWESE8S	NSTWBSE8S
10"	2.68	18.78	21.10	8.52	4.08	11.26	7.99	9.72	12.52	3.52	1.18	ES600-5	109.8	OSTWESE8S	OSTWBSE8S
12"	3.07	20.35	23.70	9.51	4.54	12.32	9.53	11.63	14.25	4.28	1.18	ES950-5	195.1	PSTWESE8S	PSTWBSE8S
60 psig Minimum Actuator Air Supply = 65															
2"	1.69	10.51	10.68	4.60	2.12	5.24	2.95	1.99	3.70	.18	.79	ES100-4	18.1	HSTWESE6S	HSTWBSE6S
2-1/2"	1.81	10.51	10.99	4.60	2.12	5.55	3.15	2.61	4.29	.41	.79	ES100-4	19.1	ISTWESE6S	ISTWBSE6S
3"	1.81	10.51	11.15	4.60	2.12	5.71	3.74	3.11	4.48	.67	.79	ES100-4	20.1	JSTWESE6S	JSTWBSE6S
4"	2.05	10.51	12.00	4.60	2.12	6.56	4.33	3.92	5.79	.94	.79	ES100-4	24.1	KSTWESE6S	KSTWBSE6S
5"	2.20	14.17	13.92	5.39	2.52	7.50	4.84	4.89	6.81	1.36	.79	ES200-4	38.1	LSTWESE6S	LSTWBSE6S
6"	2.20	14.17	14.55	5.39	2.52	8.13	5.63	5.89	7.95	1.86	.79	ES200-4	40.1	MSTWESE6S	MSTWBSE6S
8"	2.36	15.24	17.37	7.12	3.41	9.45	6.61	7.70	9.88	2.69	.79	ES350-4	70.3	NSTWESE6S	NSTWBSE6S
10"	2.68	20.35	22.64	9.51	4.54	11.26	7.99	9.72	12.52	3.52	1.18	ES950-4	134.1	OSTWESE6S	OSTWBSE6S
12"	3.07	20.35	23.70	9.51	4.54	12.32	9.53	11.63	14.25	4.28	1.18	ES950-4	195.1	PSTWESE6S	PSTWBSE6S

STW VALVE FEATURES

- Silicone free wafer style butterfly valve.
- Ductile iron body.
- 316 stainless steel disc and 410 stainless steel stem.
- EPDM and BUNA-N seats.
- Mounting pad for direct mount actuator per ISO 5211.
- Pressure range: 29 inHg vacuum to 225 PSI.

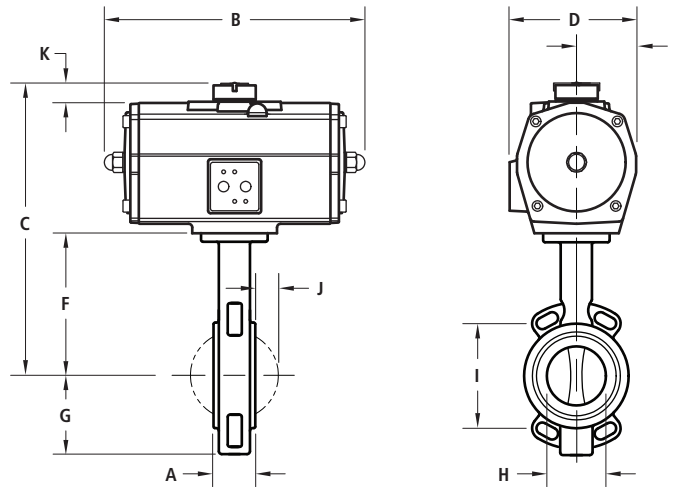
PNEUMATIC ACTUATOR FEATURES

- E Series spring return rack and pinion actuator.
- Corrosion resistant coating.
- NAMUR solenoid mounting pad, ISO 5211 mounting standard.
- Visual position indicators.
- High duty cycle, permanent lubrication.
- Temperature range: -4°F to 175°F.

STWEDA Series

Wafer style butterfly valve with double acting pneumatic actuator

(Actuators are sized for 150 PSI liquid media line pressure, contact factory for higher line pressure ratings)



DIMENSIONS, WEIGHTS & SPECIFICATIONS

Size	A	B	C	D	E	F	G	H	I	J	K	Actuator	Wt. (lbs.)	Model No.	
														EPDM	BUNA-N
80 psig Minimum Actuator Air Supply = 8D															
2"	1.69	7.09	9.69	3.78	1.70	5.24	2.95	1.99	3.70	.18	.79	ED40	12.0	HSTWESE8D	HSTWBSE8D
2-1/2"	1.81	7.09	10.00	3.78	1.70	5.55	3.15	2.61	4.29	.41	.79	ED40	13.0	ISTWESE8D	ISTWBSE8D
3"	1.81	7.09	10.16	3.78	1.70	5.71	3.74	3.11	4.48	.67	.79	ED40	14.0	JSTWESE8D	JSTWBSE8D
4"	2.05	7.09	11.01	3.78	1.70	6.56	4.33	3.92	5.79	.94	.79	ED40	18.0	KSTWESE8D	KSTWBSE8D
5"	2.20	7.83	12.42	4.19	1.93	7.50	4.84	4.89	6.81	1.36	.79	ED65	23.3	LSTWESE8D	LSTWBSE8D
6"	2.20	8.70	13.57	4.60	2.12	8.13	5.63	5.89	7.95	1.86	.79	ED100	26.8	MSTWESE8D	MSTWBSE8D
8"	2.36	11.14	15.87	5.39	2.52	9.45	6.61	7.70	9.88	2.69	.79	ED200	45.8	NSTWESE8D	NSTWBSE8D
10"	2.68	12.01	19.18	7.12	3.41	11.26	7.99	9.72	12.52	3.52	.79	ED350	71.9	OSTWESE8D	OSTWBSE8D
12"	3.07	12.01	20.24	7.12	3.41	12.32	9.53	11.63	14.25	4.28	.79	ED350	132.9	PSTWESE8D	PSTWBSE8D
60 psig Minimum Actuator Air Supply = 6D															
2"	1.69	7.09	9.69	3.78	1.70	5.24	2.95	1.99	3.70	.18	.79	ED40	12.0	HSTWESE6D	HSTWBSE6D
2-1/2"	1.81	7.09	10.00	3.78	1.70	5.55	3.15	2.61	4.29	.41	.79	ED40	13.0	ISTWESE6D	ISTWBSE6D
3"	1.81	7.09	10.16	3.78	1.70	5.71	3.74	3.11	4.48	.67	.79	ED40	14.0	JSTWESE6D	JSTWBSE6D
4"	2.05	7.09	11.01	3.78	1.70	6.56	4.33	3.92	5.79	.94	.79	ED40	18.0	KSTWESE6D	KSTWBSE6D
5"	2.20	8.70	12.94	4.60	2.12	7.50	4.84	4.89	6.81	1.36	.79	ED100	24.8	LSTWESE6D	LSTWBSE6D
6"	2.20	11.14	14.55	5.39	2.52	8.13	5.63	5.89	7.95	1.86	.79	ED200	32.8	MSTWESE6D	MSTWBSE6D
8"	2.36	11.14	15.87	5.39	2.52	9.45	6.61	7.70	9.88	2.69	.79	ED200	45.8	NSTWESE6D	NSTWBSE6D
10"	2.68	12.01	19.18	7.12	3.41	11.26	7.99	9.72	12.52	3.52	.79	ED350	71.9	OSTWESE6D	OSTWBSE6D
12"	3.07	15.24	22.16	8.52	4.08	12.32	9.53	11.63	14.25	4.28	1.18	ED600	152.8	PSTWESE6D	PSTWBSE6D

STW VALVE FEATURES

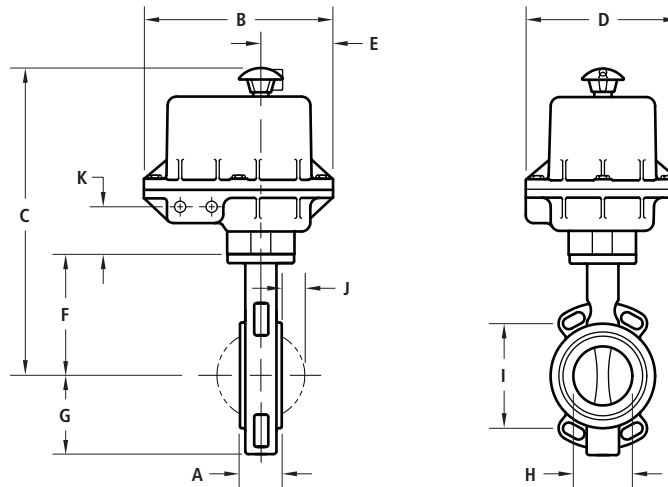
- Silicone free wafer style butterfly valve.
- Ductile iron body.
- 316 stainless steel disc and 410 stainless steel stem.
- EPDM and BUNA-N seats.
- Mounting pad for direct mount actuator per ISO 5211.
- Pressure range: 29 inHg vacuum to 225 PSI.

PNEUMATIC ACTUATOR FEATURES

- E Series double acting rack and pinion actuator.
- Corrosion resistant coating.
- NAMUR solenoid mounting pad, ISO 5211 mounting standard.
- Visual position indicators.
- High duty cycle, permanent lubrication.
- Temperature range: -4°F to 175°F.

STWB7 Series 2" to 6" Sizes

Wafer style butterfly valve with explosion proof electric actuator, NEMA 7, 120 VAC
(Actuators are sized for 150 PSI liquid media line pressure, contact factory for higher line pressure ratings)



DIMENSIONS, WEIGHTS & SPECIFICATIONS

Size	A	B	C	D	E	F	G	H	I	J	K	Actuator	Wt. (lbs.)	Model No.	
														EPDM	BUNA-N
2"	1.69	9.75	14.68	7.75	3.75	5.24	2.95	1.99	3.70	.18	2.44	BEEM500F	26.0	HSTWESB7	HSTWBSB7
2-1/2"	1.81	9.75	14.99	7.75	3.75	5.55	3.15	2.61	4.29	.41	2.44	BEEM500F	27.0	ISTWESB7	ISTWBSB7
3"	1.81	9.75	15.15	7.75	3.75	5.71	3.74	3.11	4.48	.67	2.44	BEEM500F	28.0	JSTWESB7	JSTWBSB7
4"	2.05	9.75	16.00	7.75	3.75	6.56	4.33	3.92	5.79	.94	2.44	BEEM500F	32.0	KSTWESB7	KSTWBSB7
5"	2.20	9.75	16.94	7.75	3.75	7.50	4.84	4.89	6.81	1.36	2.44	BEEM500F	36.0	LSTWESB7	LSTWBSB7
6"	2.20	9.75	17.57	7.75	3.75	8.13	5.63	5.89	7.95	1.86	2.44	BEEM500F	38.0	MSTWESB7	MSTWBSB7

STW VALVE FEATURES

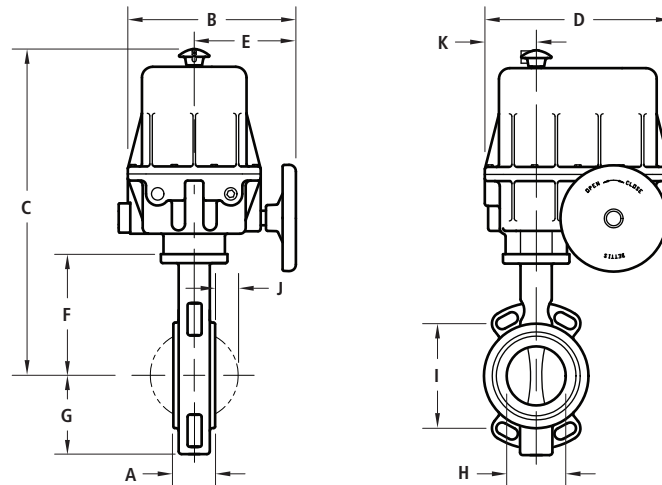
- Silicone free wafer style butterfly valve.
- Ductile iron body.
- 316 stainless steel disc and 410 stainless steel stem.
- EPDM and BUNA-N seats.
- Mounting pad for direct mount actuator per ISO 5211.
- Pressure range: 29 inHg vacuum to 225 PSI.

ELECTRIC ACTUATOR FEATURES

- B7 Series electric actuator.
- Actuator speed: 15 sec.
- NEMA 4, 4x, 7 and 9; CSA approved.
- Weatherproof.
- Class I Groups C and D, Div. 1.
- Class II Groups E, F and G.
- (2) 1/2" NPT conduit entries.
- Manual override.
- Position indicator.
- CSA certified.
- Temperature range: 0°F to 160°F.

STWB7 Series 8" to 12" Sizes

Wafer style butterfly valve with explosion proof electric actuator, NEMA 7, 120 VAC
(Actuators are sized for 150 PSI liquid media line pressure, contact factory for higher line pressure ratings)



DIMENSIONS, WEIGHTS & SPECIFICATIONS

Size	A	B	C	D	E	F	G	H	I	J	K	Actuator	Wt. (lbs.)	Model No.	
														EPDM	BUNA-N
8"	2.36	13.31	18.89	14.00	7.62	9.45	6.61	7.70	9.88	2.69	3.88	BEEM82018C	193	NSTWESB7	NSTWBSB7
10"	2.68	13.31	20.70	14.00	7.62	11.26	7.99	9.72	12.52	3.52	3.88	BEEM82018C	209	OSTWESB7	OSTWBSB7
12"	3.07	13.31	21.76	14.00	7.62	12.32	9.53	11.63	14.25	4.28	3.88	BEEM82018C	270	PSTWESB7	PSTWBSB7

STW VALVE FEATURES

- Silicone free wafer style butterfly valve.
- Ductile iron body.
- 316 stainless steel disc and 410 stainless steel stem.
- EPDM and BUNA-N seats.
- Mounting pad for direct mount actuator per ISO 5211.
- Pressure range: 29 inHg vacuum to 225 PSI.

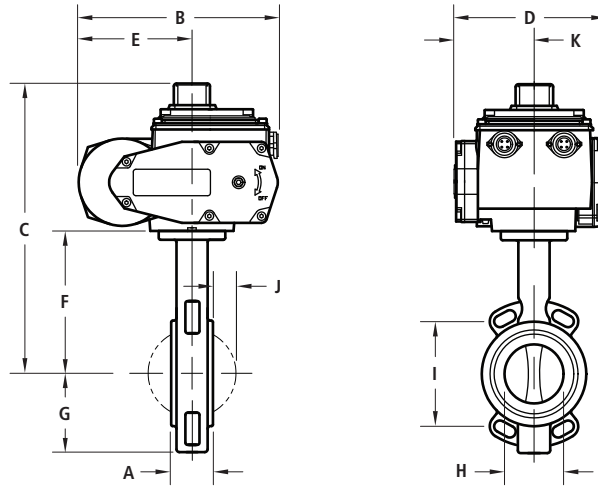
ELECTRIC ACTUATOR FEATURES

- B7 Series electric actuator.
- Actuator speed: 18 sec.
- NEMA 4, 7 and 9; CSA approved.
- Weatherproof.
- Class I Groups C and D, Div. 1.
- Class II Groups E, F and G.
- (2) 1/2" NPT conduit entries.
- Manual override.
- Position indicator.
- CSA certified.
- Temperature range: 0°F to 160°F.

STWI4 Series

Wafer style butterfly valve with electric actuator

(Actuators are sized for 150 PSI liquid media line pressure, contact factory for higher line pressure ratings)



DIMENSIONS, WEIGHTS & SPECIFICATIONS

Size	A	B	C	D	E	F	G	H	I	J	K	Actuator	Wt. (lbs.)	Model No.	
														EPDM	BUNA-N
2"	1.69	7.56	10.64	5.36	3.58	5.24	2.95	1.99	3.70	.18	2.37	I4600	15.9	HSTWESI4	HSTWBSI4
2-1/2"	1.81	7.56	10.95	5.36	3.58	5.55	3.15	2.61	4.29	.41	2.37	I4600	16.9	ISTWESI4	ISTWBSI4
3"	1.81	7.56	11.11	5.36	3.58	5.71	3.74	3.11	4.48	.67	2.37	I4600	17.9	JSTWESI4	JSTWBSI4
4"	2.05	7.56	11.96	5.36	3.58	6.56	4.33	3.92	5.79	.94	2.37	I4600	21.9	KSTWESI4	KSTWBSI4
5"	2.20	7.56	12.90	5.36	3.58	7.50	4.84	4.89	6.81	1.36	2.37	I4600	25.9	LSTWESI4	LSTWBSI4
6"	2.20	8.73	14.30	6.30	4.75	8.13	5.63	5.89	7.95	1.86	3.31	I41150	36.5	MSTWESI4	MSTWBSI4
8"	2.36	8.73	15.62	6.30	4.75	9.45	6.61	7.70	9.88	2.69	3.31	I41150	49.5	NSTWESI4	NSTWBSI4
10"	2.68	8.73	17.43	6.30	4.75	11.26	7.99	9.72	12.52	3.52	3.31	I42100	65.5	OSTWESI4	OSTWBSI4
12"	3.07	8.73	18.49	6.30	4.75	12.32	9.53	11.63	14.25	4.28	3.31	I42100	126.5	PSTWESI4	PSTWBSI4

STW VALVE FEATURES

- Silicone free wafer style butterfly valve.
- Ductile iron body.
- 316 stainless steel disc and 410 stainless steel stem.
- EPDM and BUNA-N seats.
- Mounting pad for direct mount actuator per ISO 5211.
- Pressure range: 29 inHg vacuum to 225 PSI.

ELECTRIC ACTUATOR FEATURES

- I4 Series electric actuator.
- Weatherproof enclosure IP65.
- Voltages available: 115 VAC, 24 VAC/VDC.
- Duty cycle: 50%.
- IP65 electrical connectors.
- Space heater.
- Extra (2) SPDT adjustable limit switches.
- Temperature range: 0°F to 140°F.