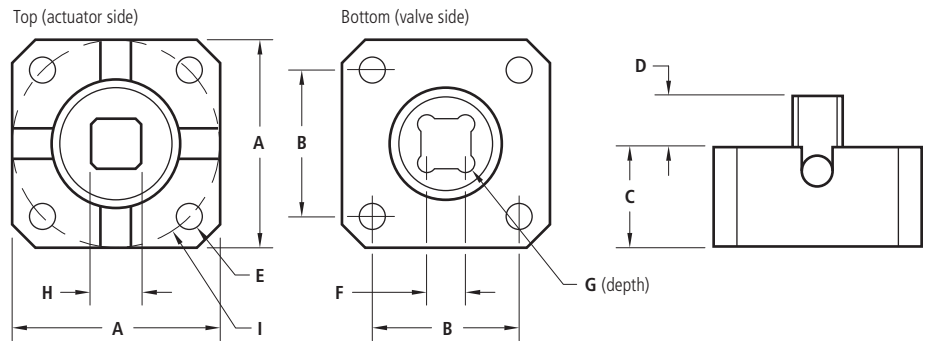


# RetroLok®

## Lock Out Device



RetroLok® is a locking device that can be easily installed without modification to existing automation packages. This device allows quick visual determination from a distance of whether the quarterturn valve is locked open or closed by the locking pin flag.



### DIMENSIONS & ADDITIONAL SPECIFICATIONS

A	B	C	D	E	F	G	H	I	Model No.
2.125	1.39	1.438	.63	.280	.551	.63	.550	1.969	F05/14
2.750	1.95	1.313	.70	.340	.669	.70	.669	2.756	F07/17
2.750	1.95	1.313	.75	.340	.748	.70	.748	2.756	F07/19
3.500	2.84	1.688	.88	.410	.866	1.00	.866	4.016	F10/22
3.500	2.84	1.688	1.13	.410	1.060	1.13	1.063	4.016	F10/27
4.500	3.48	1.873	1.13	.560	1.060	1.13	1.063	4.920	F12/27
5.250	3.89	1.938	1.25	.690	1.417	1.25	1.416	5.512	F16/36
6.250	4.60	3.750	1.88	.844	1.816	2.00	1.810	6.496	F16/46

Retrolok is a registered trademark of Engineering Manufacturing Services.