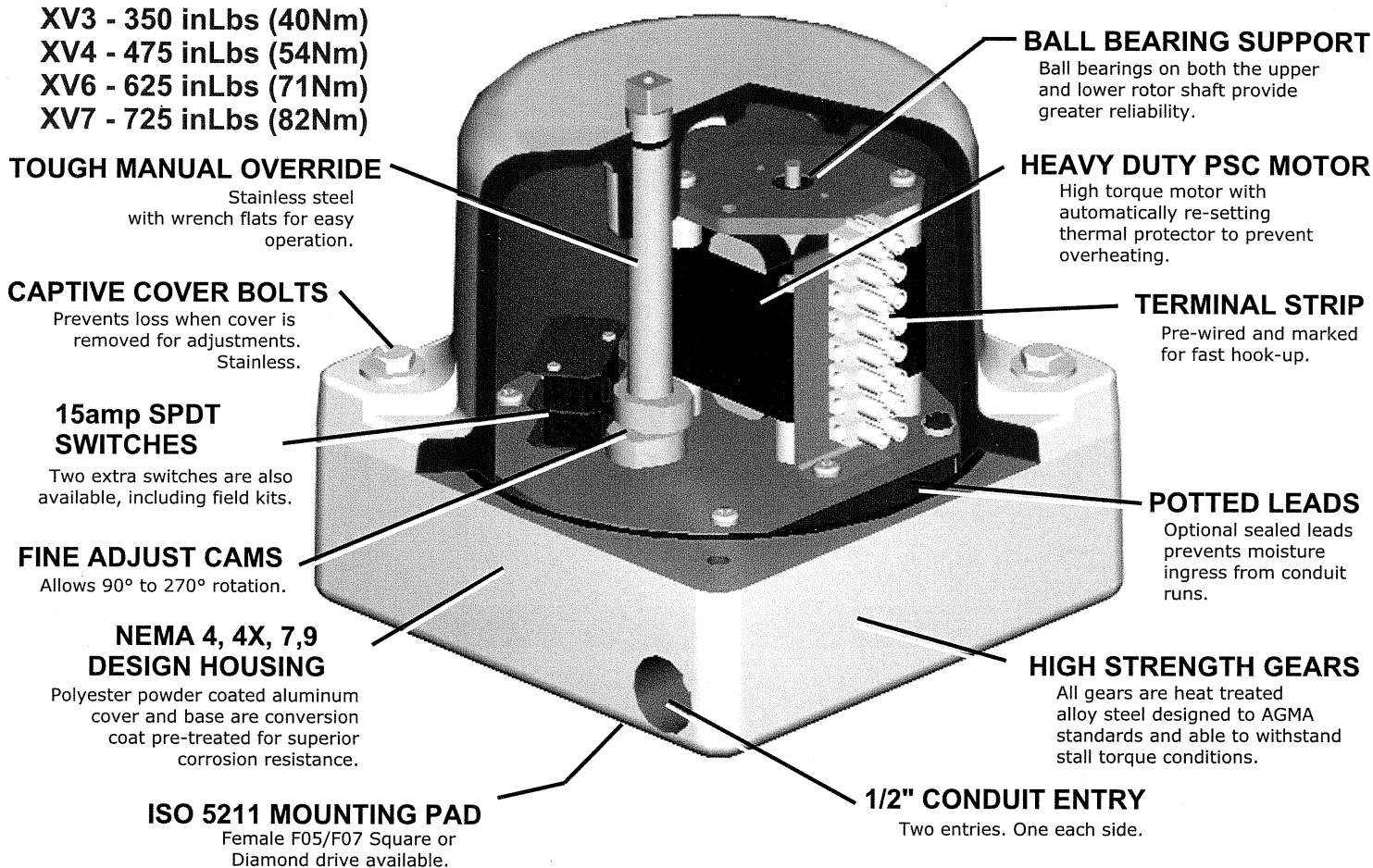


NV/XV Series

Reliable Valve Automation

ASSURED 
AUTOMATION



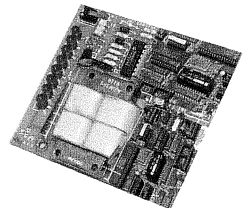
Versatile - Rugged:

- **XV: Both explosion-proof and watertight.**
 The XV version is designed to meet the requirements of both NEMA 4, 4x and 7,9.

- **NV: Watertight**
 Also available a NEMA 4,4X only version designated the NV series.

● **Modulating Control with Digital Calibration**

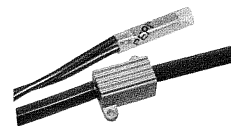
4-20mA, 0-10Vdc input allows complete control over valve position. Push Button setup is digitally stored.



- **Extra Switches**
 Field switch kits available.

- **Position Indicator**
 Visual indication of valve position.

- **Heater and Thermostat**
 Prevents condensation buildup and corrosion.



- **Optional Motors**
 115Vac, 230Vac
 12, 24, 90Vdc
 24Vac

- **Heavy Duty Brake**
 For rubberlined and other springback valves.
- **Relays, feedback sensors,...**
 Consult factory for custom electrical requirements.

Options:

NV/XV Series

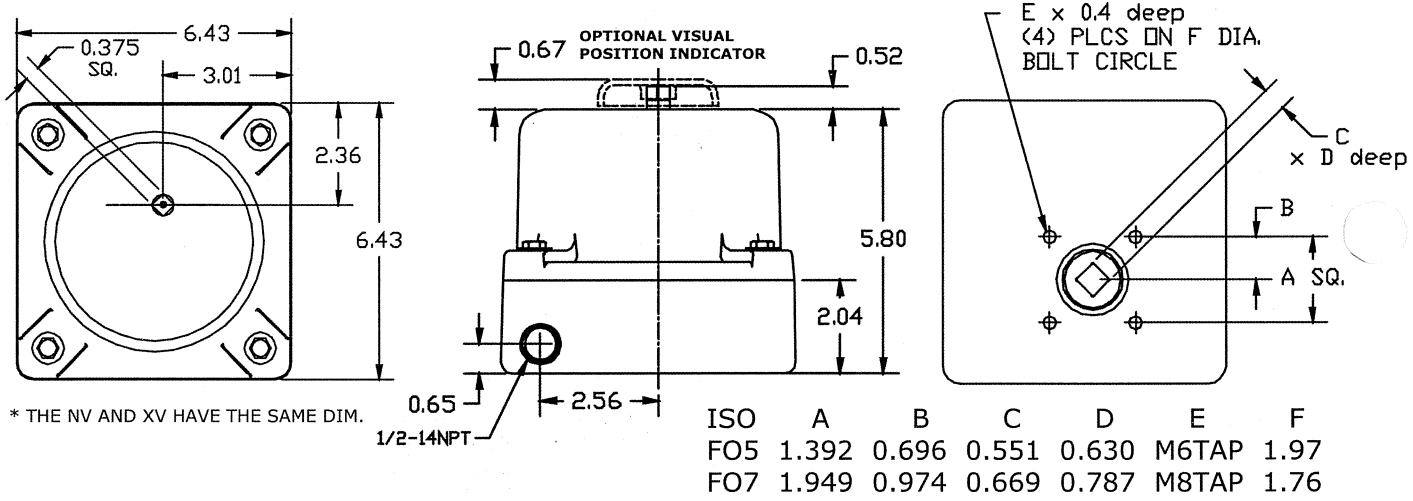
Designed for NEMA 4,4X and 7,9



Performance:

Model	Output Torque		Speed Sec/90°						
	in-lbs	N-m	115Vac	115Vac	12Vdc	24Vdc	230Vac	24Vac	
NV3/XV3	350	40	7	-	6	7	7	7	
NV4/XV4	475	54	10	-	9	10	10	10	
NV6/XV6	625	71	9	-	8	9	9	9	
NV7/XV7	725	82	10	-	9	10	10	10	
			Duty %	25	75	100	100	25	100

Dimensions:



How to Order:

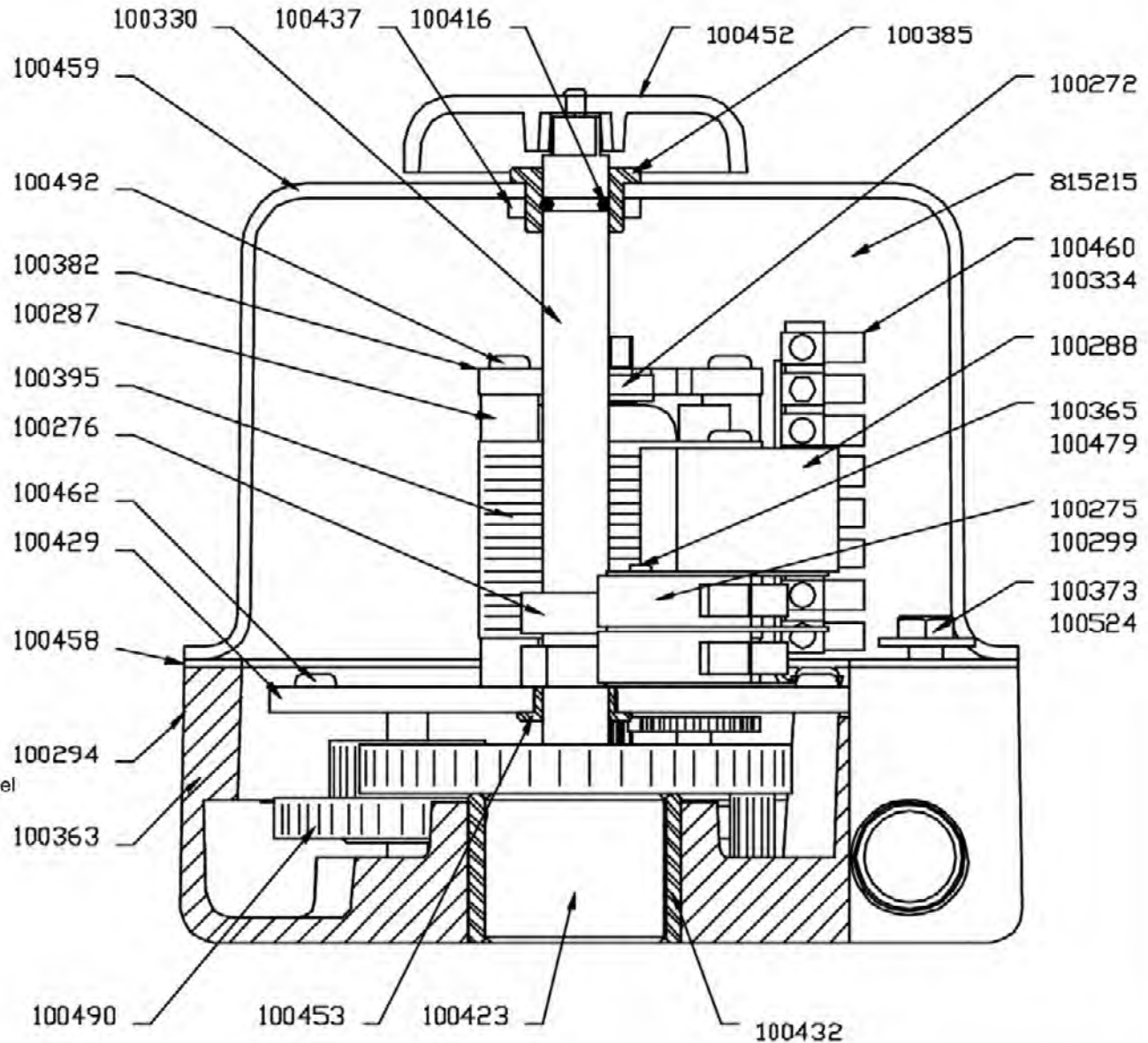
Model	Output Torque	Duty Cycle	Supply Voltage
NV Watertight NEMA 4,4X	3 350 40	S1 75% S2 25%	V1 115Vac V8 12Vdc V3 230Vac V9 24Vdc
	4 475 54		
XV Explosion-proof/watertight NEMA 4, 4X, 7,9	6 625 71		
	7 725 82		

Valve Mtg	Switches	Positioning	Output Signal	Control
M1 ISO 5211 M4 UNC	C2 2 extra C4 4 extra	T1 Servo Card T3 3-Position	P1 0-1K Ohm Pot. P3 0-10K Ohm Pot.	R1 Time Delay Relay

B1 Heavy Duty Brake J2 Sealed Wiring H1 25Watt Heater and Thermostat Z1 Handwheel	For use with rubberlined butterfly valves, dampers and other similar valves. Protects against moisture ingress through the conduit entry. Protects against condensation and lowers the operating temp. Used to move the valve position manually.
--	--

NV Series Bill of Materials

P/N	QTY	DESCRIPTION	MATERIAL
100272	2	Motor Ball Bearing	Steel
100275	2	V3 MicroSwitch	Steel/Plastic
100276	2	Cam	Aluminum
100287	6	Motor Stands	Aluminum
100288	1	Capacitor	Plastic
100293	6	Quick Disconnects	Aluminum/Nylon
100294	1	Nameplate Sticker	Polyester
100299	3	Switch Insulators	Fiber
100330	1	Manual Override Shaft	Stainless
100334	1	Terminal Strip bracket	Steel/Plated
100335	1	Indicator	Polycarbonate
100342	1	Green Ground Screw	Steel
100343	1	Cup Washer	Brass
100363	1	NV F07 Base	Aluminum/Painted
100365	1	4-40UNC x 1" Screw	Steel
100373	4	Cover Hold Down Screw	Stainless
100382	1	Upper Motor Mtg Plate	Aluminum
100385	1	MO Bearing	Bronze
100395	1	5.1 PSC Motor	Steel/Copper
100423	1	F07 Output Shaft	Stainless
100427	1	O-ring	Nitrile
100429	1	Motor Mtg Plate	Aluminum
100432	1	Output bearing	Bronze
100437	1	3/4-16 panel nut	Aluminum
100438	2	8-32 x 2.25" Screws	Steel
100453	1	Motor Mtg Plate Bearing	Bronze
100456	2	3/16 dowel pin	steel
100458	1	Cover Gasket	Nitrile
100459	1	Cover	Aluminum/Painted
100460	1	Terminal Strip	Plastic
100479	1	4-40UNC x 1-1/4" Screw	Steel
100480	4	Washer	Stainless
100482	1	3/16" x 1 spring pin	Steel
100490	1	NV3 Gear Set	Heat Treated Alloy Steel
100492	2	8-32 x 2.75" Screws	Steel
100509	1	Mtr Mtg Plt Gasket	Nitrile
100518	1	1/2-14 close up plug	steel / znc
100519	1	Snap Ring	Steel
100520	3	8-32 x 5/8 Pan Head Screw	Steel
815215	1	Schematic Sticker	Paper

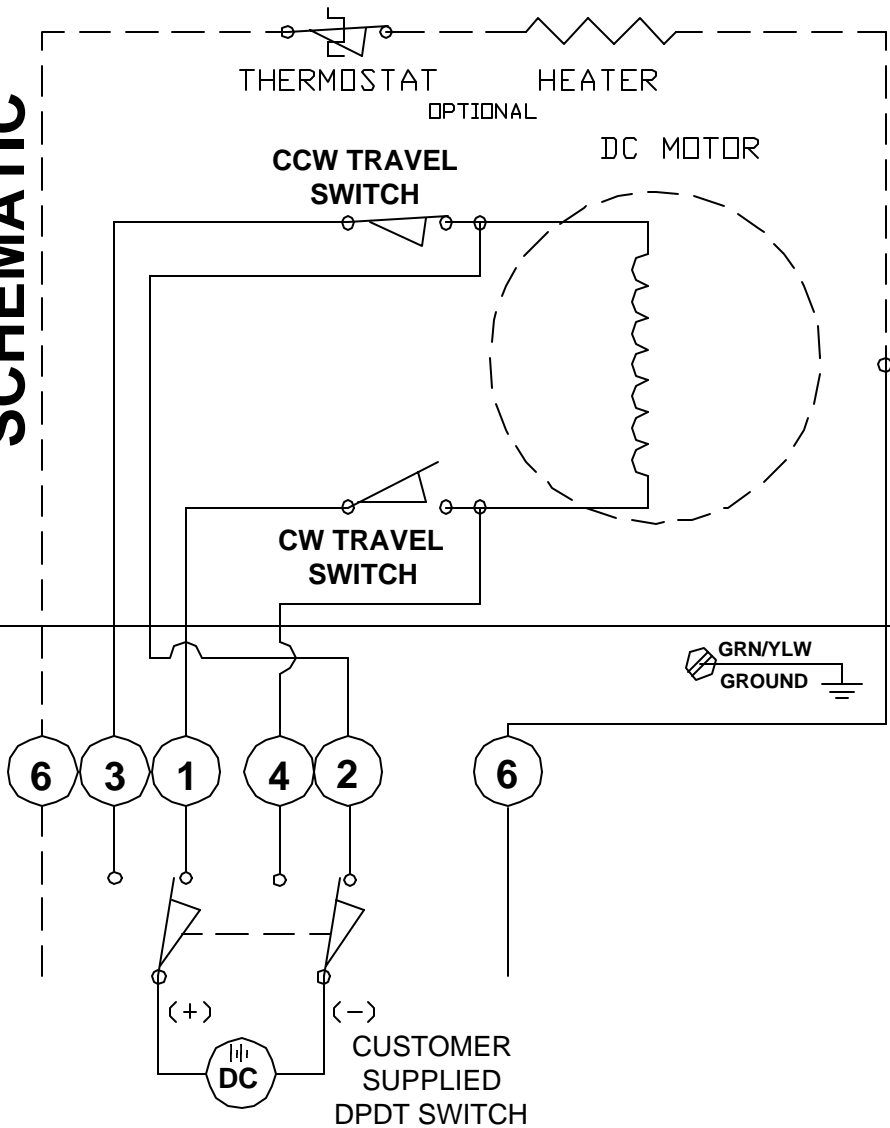


SCHEMATIC

815216-B

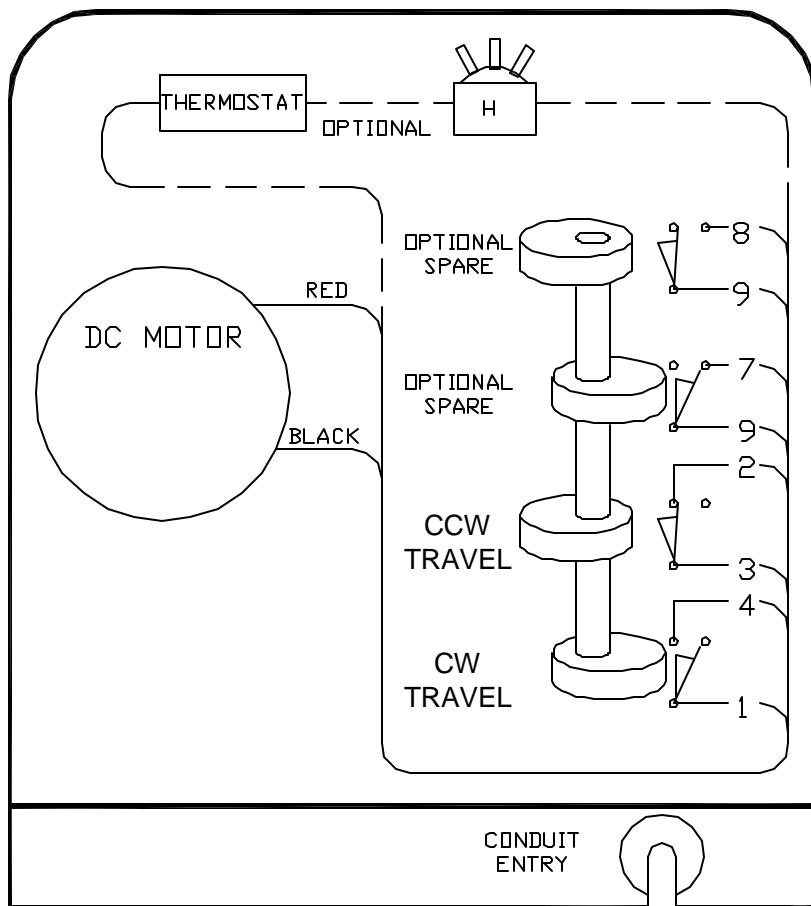
LIMIT SWITCH CONTACT DEVELOPMENT

CLOSED CONTACT	VALVE POSITION		LIMIT SWITCH CONTACT	OPEN CONTACT
	FULL CW	FULL CCW		
—	—	—	SPARE	—
—	—	—	SPARE	—
—	—	—	CCW TRAVEL	—
—	—	—	CW TRAVEL	—



INTERNAL WIRING

EXT.

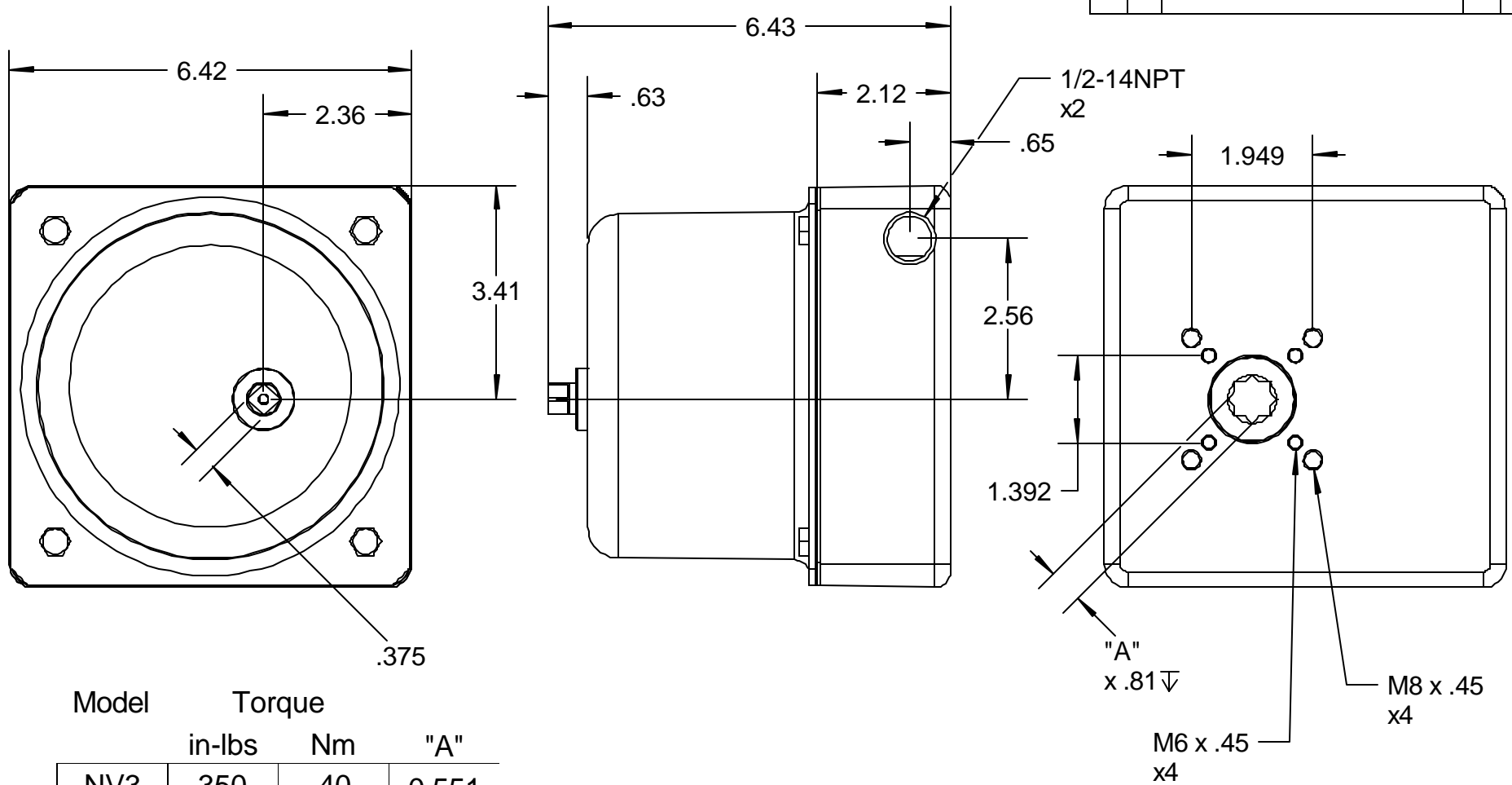


PHYSICAL ARRANGEMENT

- 1 RED MOTOR
- 2 BLACK MOTOR
- 3 BLUE MOTOR
- 4 WHITE MOTOR
- 6 BLACK OPT. HEATER
- 7 BLUE CW - INDICATOR
- 8 YELLOW CCW - INDICATOR
- 9 ORANGE COMMON

800126

REV	ECN	DESCRIPTION	DWN	DATE



Model	Torque		"A"
	in-lbs	Nm	
NV3	350	40	0.551
NV4	475	54	0.551
NV6	625	71	0.669
NV7	725	82	0.669
NV1K	1000	114	0.669

NOTE:
 1. Actuator shown in full CW position as viewed from the Manual Override side.

NAME NV Outline Dim Drawing		DWN BF	CHKD
		03.07.01	
 19 Walnut Ave. Clark, NJ 07066 (800) 899-0553		REV.	
		SCALE	
THE DESIGN AND DISCLOSURE CONTAINED IN THIS DRAWING WAS ORIGINATED BY, AND IS THE EXCLUSIVE PROPERTY OF VALVSY, LLC. IT IS FURNISHED FOR VENDOR INFORMATION ONLY AND IS NOT AN AUTHORIZATION -OR- LICENSE TO MAKE THIS CONSTRUCTION OR TO FURNISH THIS INFORMATION TO OTHERS. ALL DRAWINGS MUST BE RETURNED TO VALVSY,LLC ON DEMAND. THIS DRAWING IS NOT TO BE REPRODUCED OR COPIED IN ANY FORM WITHOUT THE EXPRESS WRITTEN PERMISSION OF VALVSY, LLC.		TOLERANCE UNLESS OTHERWISE SPECIFIED: TWO PLACE DECIMAL: DIM. +/- 0.02 THREE PLACE DECIMAL: DIM. +/- 0.010 ANGULAR DIM. +/- 0°.30°	
		DO NOT SCALE DRAWINGS	

800126