

MPF 150/300 Series

Multiport Ball Valve



This 3-way ball valve features an extremely versatile design making it ideal for a wide range of diversion or mixing applications.

FEATURES

- One piece stem and ball trunnion support design.
- Three seat design maintains proper ball position.
- Actuator mounting pad.
- Anti-static grounding device.
- Open and closed locking device for positional safety lockout.
- Flow plans for T and L ports can be field rearranged to meet many other flow plans.
- Body cavity fillers available for sizes 3/4" to 4".

MATERIALS OF CONSTRUCTION

Body:
Stainless steel.

Seats:
TFM.

ACTUATOR CONFIGURATIONS

- Electric.
- Pneumatic (spring return).
- Pneumatic (double acting).
- Manual handle.

MAXIMUM PRESSURE

Class 150:
Body: 275 PSI

Class 300:
Body: 700 PSI

MAXIMUM TEMPERATURE

550°F

SPECIFICATIONS

Connections:
3/4" to 12" flanged.

PORT ARRANGEMENTS

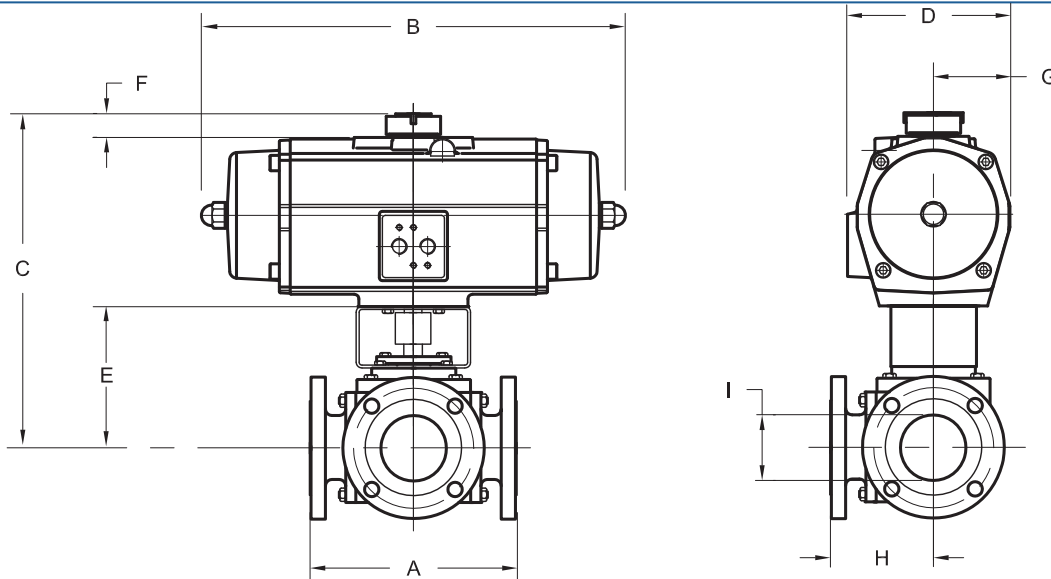
T Port		L Port
Flow Plan D	Flow Plan H	Flow Plan A
 Pos1 Pos2	 Pos1 Pos2 Pos3	 Pos1 Pos2
Flow Plan E	Flow Plan I	Flow Plan B
 Pos1 Pos2	 Pos1 Pos2 Pos3	 Pos1 Pos2 Pos3
Flow Plan F	Flow Plan J	
 Pos1 Pos2	 Pos1 Pos2 Pos3	
Flow Plan G	Flow Plan K	
 Pos1 Pos2	 Pos1 Pos2 Pos3	

MPF150 ESR .75 - 6

Full port ball valve with spring return pneumatic actuator

150# Flanged body TFM Seats

Actuators are sized for 150 psi pressure differential



DIMENSIONS, WEIGHTS & SPECIFICATIONS

Size	A	B	C	D	E	F	G	H	I	Actuator	Wt. (lbs.)	Model No.
80 psig Minimum Actuator Air Supply = 8S												
3/4"	6.65	10.51	11.06	4.60	5.62	.79	2.12	3.33	.75	ES100	27.1	DMPF150 * F E8S ① ②
1"	7.30	12.20	11.96	5.14	5.66	.79	2.38	3.65	1.00	ES150	36.2	EMPF150 * F E8S ① ②
1-1/2"	7.17	12.20	11.78	5.14	5.48	.79	2.38	3.57	1.50	ES150	40.2	GMPF150 * F E8S ① ②
2"	8.66	12.20	12.17	5.14	5.87	.79	2.38	4.33	2.01	ES150	56.2	HMPF150 * F E8S ① ②
3"	11.26	18.78	17.46	8.52	7.62	1.18	4.08	5.62	3.00	ES600	142.8	JMPF150 * F E8S ① ②
4"	13.66	20.35	22.36	9.51	10.88	1.18	4.54	6.85	4.02	ES950	233.1	KMPF150 * F E8S ① ②
6"	16.77	32.83	28.64	15.35	12.50	1.18	7.48	8.47	5.98	PS4000	561.0	MMPF150 * F E8S ① ②
60 psig Minimum Actuator Air Supply = 6S												
3/4"	6.65	12.20	11.92	5.14	5.62	.79	2.38	3.33	.75	ES150-3	32.2	DMPF150 * F E6S ① ②
1"	7.30	14.17	12.08	5.39	5.66	.79	2.52	3.65	1.00	ES200-3	41.1	EMPF150 * F E6S ① ②
1-1/2"	7.17	14.17	11.90	5.39	5.48	.79	2.52	3.57	1.50	ES200-3	45.1	GMPF150 * F E6S ① ②
2"	8.66	15.24	13.79	7.12	5.87	.79	3.41	4.33	2.01	ES350-3	78.3	HMPF150 * F E6S ① ②
3"	11.26	20.35	19.00	9.51	7.62	1.18	4.54	5.62	3.00	ES950-3	167.1	JMPF150 * F E6S ① ②
4"	13.66	25.08	23.75	10.81	10.88	1.18	5.21	6.85	4.02	ES1600-3	293.1	KMPF150 * F E6S ① ②
6"	16.77	32.83	28.64	15.35	12.50	1.18	7.48	8.47	5.98	PS4000-8	561.0	MMPF150 * F E6S ① ②

Note: Dimensions "C" & "E" include a 3" high mounting bracket on 3/4" - 2" valves
4" high mounting bracket on 3" valve & 6" high bracket on 4" - 6" valves
Valve sizes 3/4" & 1" only available as Stainless Steel

*C = Carbon Stl Body, 316SS Trim
*S = 316SS Body & Trim
① C=Flow Pattern
② C=Fail Close, O=Fail Open

MPF150 VALVE SPECIFICATIONS

- MPF150 Class 150
- Grounded Ball & Stem
- Full Port Ball Orifice
- Four-Bolt Actuator Mounting
- Multiple piece Stem Packing
- Carbon Steel (1-1/2" - 6") or Stainless Steel (3/4" - 6") Body
- Unique one piece Ball & Stem design
- Seats: TFM
- Max Temp: 475°F

PNEUMATIC ACTUATOR FEATURES

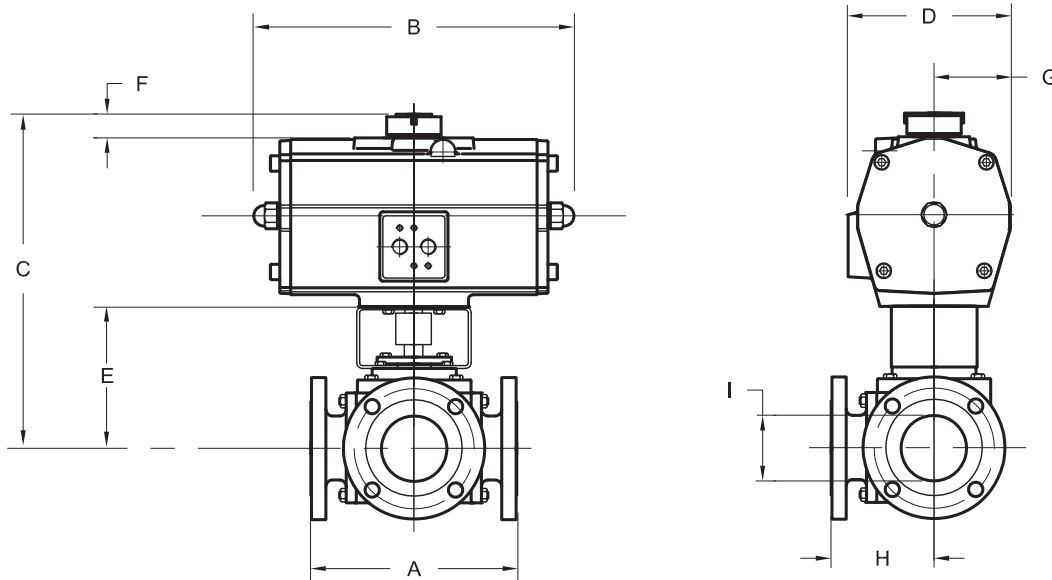
- E Series spring return rack and pinion pneumatic actuator
- Corrosion resistant coating
- NAMUR solenoid mounting pad, ISO 5211 mounting standard
- Visual position indicator
- High duty cycle, permanent lubrication
- Temperature range: -4°F to 175°F

MPF150 EDA .75 - 6

Full port ball valve with double acting pneumatic actuator

150# Flanged body TFM Seats

Actuators are sized for 150 psi pressure differential



DIMENSIONS, WEIGHTS & SPECIFICATIONS

Size	A	B	C	D	E	F	G	H	I	Actuator	Wt. (lbs.)	Model No.
80 psig Minimum Actuator Air Supply = 8D												
3/4"	6.65	7.09	10.07	3.78	5.62	.79	1.70	3.33	.75	ED40	21.0	DMPF150 * F E8D ①
1"	7.30	7.83	10.58	4.19	5.66	.79	1.93	3.65	1.00	ED65	26.3	EMPF150 * F E8D ①
1-1/2"	7.17	7.83	10.40	4.19	5.48	.79	1.93	3.57	1.50	ED65	30.3	GMPF150 * F E8D ①
2"	8.66	8.70	11.31	4.60	5.87	.79	2.12	4.33	2.01	ED100	47.8	HMPF150 * F E8D ①
3"	11.26	11.14	14.04	5.39	7.62	.79	2.52	5.62	3.00	ED200	94.8	JMPF150 * F E8D ①
4"	13.66	12.01	18.80	7.12	10.88	.79	3.41	6.85	4.02	ED350	170.9	KMPF150 * F E8D ①
6"	16.77	20.31	25.37	10.81	12.50	1.18	5.21	8.47	5.98	ED1600	364.1	MMPF150 * F E8D ①
60 psig Minimum Actuator Air Supply = 6D												
3/4"	6.65	7.09	10.07	3.78	5.62	.79	1.70	3.33	.75	ED40	21.0	DMPF150 * F E6D ①
1"	7.30	7.83	10.58	4.19	5.66	.79	1.93	3.65	1.00	ED65	26.3	EMPF150 * F E6D ①
1-1/2"	7.17	8.70	10.92	4.60	5.48	.79	2.12	3.57	1.50	ED100	31.8	GMPF150 * F E6D ①
2"	8.66	10.00	12.17	5.14	5.87	.79	2.38	4.33	2.01	ED150	51.5	HMPF150 * F E6D ①
3"	11.26	12.01	15.54	7.12	7.62	.79	3.41	5.62	3.00	ED350	104.9	JMPF150 * F E6D ①
4"	13.66	15.24	20.72	8.52	10.88	1.18	4.08	6.85	4.02	ED600	190.8	KMPF150 * F E6D ①
6"	16.77	20.31	25.37	10.81	12.50	1.18	5.21	8.47	5.98	ED1600	364.1	MMPF150 * F E6D ①

Note: Dimensions "C" & "E" include a 3" high mounting bracket on 3/4" - 2" valves
4" high mounting bracket on 3" valve & 6" high bracket on 4" - 6" valves
Valve sizes 3/4" & 1" only available as Stainless Steel

*C = Carbon Stl Body, 316SS Trim
*S = 316SS Body & Trim
① C=Flow Pattern

MPF150 VALVE SPECIFICATIONS

- MPF150 Class 150
- Grounded Ball & Stem
- Full Port Ball Orifice
- Four-Bolt Actuator Mounting
- Multiple piece Stem Packing
- Carbon Steel (1-1/2" - 6") or Stainless Steel (3/4" - 6") Body
- Unique one piece Ball & Stem design
- Seats: TFM
- Max Temp: 475°F

PNEUMATIC ACTUATOR FEATURES

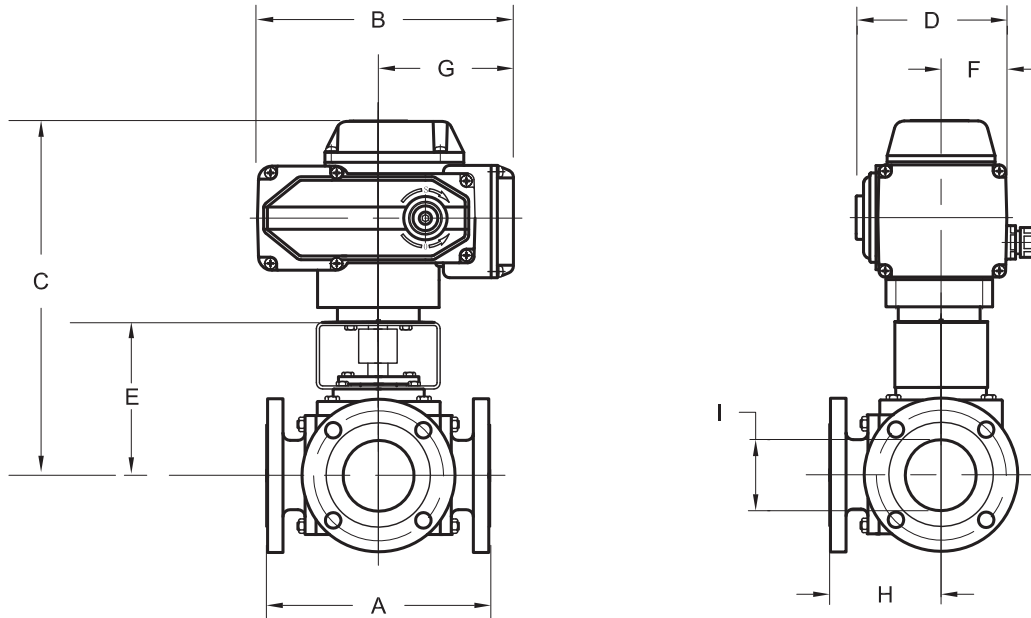
- E Series double acting rack and pinion pneumatic actuator
- Corrosion resistant coating
- NAMUR solenoid mounting pad, ISO 5211 mounting standard
- Visual position indicator
- High duty cycle, permanent lubrication
- Temperature range: -4°F to 175°F

MPF150 K4A .75 - 6

Full port ball valve with electric actuator

150# Flanged body TFM Seats

Actuators are sized for 150 psi pressure differential



DIMENSIONS, WEIGHTS & SPECIFICATIONS

Size	A	B	C	D	E	F	G	H	I	Actuator	Wt. (lbs.)	Model No.
3/4"	6.65	6.24	9.70	4.51	5.62	2.00	2.99	3.33	.75	UNIC 05A	22.0	DMPF150 * F K4A ①
1"	7.30	8.17	12.10	4.82	5.66	2.14	4.33	3.65	1.00	UNIC 10A	31.0	EMPF150 * F K4A ①
1-1/2"	7.17	8.17	11.92	4.92	5.48	2.14	4.33	3.57	1.50	UNIC 10A	35.0	GMPF150 * F K4A ①
2"	8.66	8.17	12.31	4.82	5.87	2.14	4.33	4.33	2.01	UNIC 10A	51.0	HMPF150 * F K4A ①
3"	11.26	10.10	14.90	6.16	7.62	2.46	5.25	5.62	3.00	UNIC 40A	100.0	JMPF150 * F K4A ①
4"	13.66	15.00	20.09	9.53	10.88	4.13	7.85	6.85	4.02	UNIC 60A	194.2	KMPF150 * F K4A ①
6"	16.77	15.00	21.71	9.98	12.50	4.13	7.85	8.47	5.98	UNIC 150A	317.7	MMPF150 * F K4A ①

Note: Dimensions "C" & "E" include a 3" high mounting bracket on 3/4" - 2" valves
4" high mounting bracket on 3" valve & 6" high bracket on 4" - 6" valves

Valve sizes 3/4" & 1" only available as Stainless Steel

*C = Carbon Stl Body, 316SS Trim

*S = 316SS Body & Trim

① C=Flow Pattern

MPF150 VALVE SPECIFICATIONS

- MPF150 Class 150
- Grounded Ball & Stem
- Full Port Ball Orifice
- Four-Bolt Actuator Mounting
- Multiple piece Stem Packing
- Carbon Steel (1-1/2" - 6") or Stainless Steel (3/4" - 6") Body
- Unique one piece Ball & Stem design
- Seats: TFM
- Max Temp: 475°F

ELECTRIC ACTUATOR FEATURES

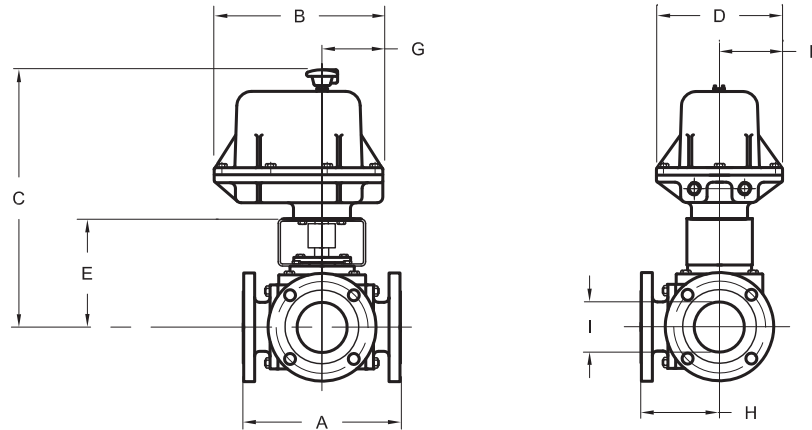
- K Series electric actuator
- Actuator speed: 25 sec.
- Most voltages available
- Quarter turn: 0-90° rotation
- NEMA 4/4X certified by UL labs
- ISO 5211 mounting standard
- Visual position indicator
- Self-locking drive train
- Mounts in any direction
- 1/2" NPT conduit connection
- CSA-NRTL /C and CE certified
- Temperature range: 0°F to 160°F

MPF150 B7A .75 - 2

Full port ball valve with electric actuator

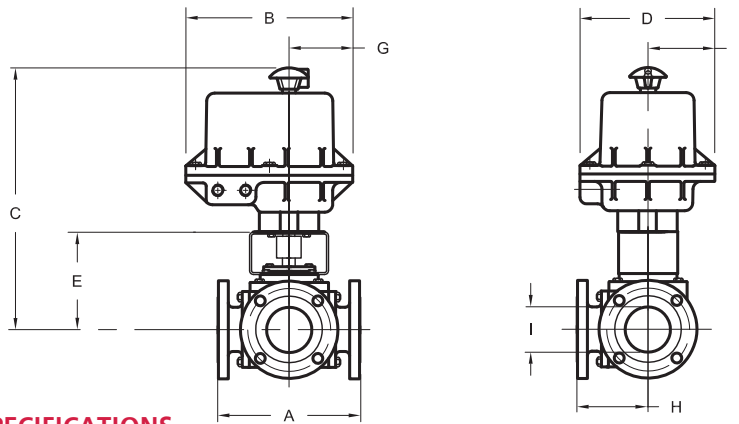
150# Flanged body TFM Seats

Actuators are sized for 150 psi pressure differential



DIMENSIONS, WEIGHTS & SPECIFICATIONS

Size	A	B	C	D	E	F	G	H	I	Actuator	Wt. (lbs.)	Model No.
3/4"	6.65	8.25	13.12	6.25	5.62	3.12	3.75	3.33	.75	EM300_30	35.0	DMPF150 * F B7A ①
1"	7.30	8.25	13.16	6.25	5.66	3.12	3.75	3.65	1.00	EM300_30	39.0	EMPF150 * F B7A ①
1-1/2"	7.17	8.25	12.98	6.25	5.48	3.12	3.75	3.57	1.50	EM300_30	43.0	GMPF150 * F B7A ①



DIMENSIONS, WEIGHTS & SPECIFICATIONS

Size	A	B	C	D	E	F	G	H	I	Actuator	Wt. (lbs.)	Model No.
2"	8.66	9.75	15.31	7.75	5.87	3.88	3.75	4.33	2.01	EM500_15	59.0	HMPF150 * F B7A ①

Note: Dimensions "C" & "E" include a 3" high mounting bracket

*C = Carbon Stl Body, 316SS Trim

*S = 316SS Body & Trim

① C=Flow Pattern

MPF150 VALVE SPECIFICATIONS

- MPF150 Class 150
- Grounded Ball & Stem
- Full Port Ball Orifice
- Four-Bolt Actuator Mounting
- Multiple piece Stem Packing
- Carbon Steel (1-1/2" - 6") or Stainless Steel (3/4" - 6") Body
- Unique one piece Ball & Stem design
- Seats: TFM
- Max Temp: 475°F

ELECTRIC ACTUATOR FEATURES

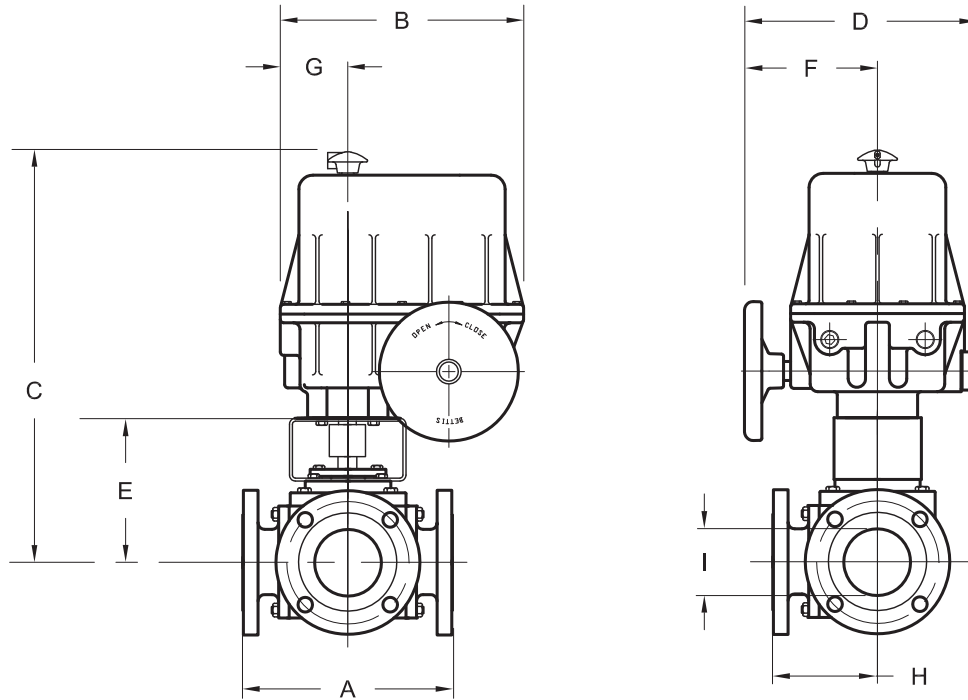
- B7 Series electric actuator
- NEMA 4, 4x, 7, & 9; CSA approved
- Weatherproof
- Class I Groups C and D, Div. 1
- Class II Groups E, F, & G
- (2) 1/2" NPT conduit entries
- Manual override
- Visual position indicator
- CSA certified
- Temperature range: 0°F to 175°F

MPF150 B7A 3 - 6

Full port ball valve with electric actuator

150# Flanged body TFM Seats

Actuators are sized for 150 psi pressure differential



DIMENSIONS, WEIGHTS & SPECIFICATIONS

Size	A	B	C	D	E	F	G	H	I	Actuator	Wt. (lbs.)	Model No.
3"	11.26	14.00	23.00	13.31	7.62	7.62	3.88	5.62	3.00	EM820_18	242.0	DMPF150 * F B7A ①
4"	13.66	14.00	26.26	13.31	10.88	7.62	3.88	6.85	4.02	EM820_30	308.0	EMPF150 * F B7A ①
6"	16.77	14.00	27.88	13.31	12.50	7.62	3.88	8.47	5.98	EM840_72	430.0	GMPF150 * F B7A ①

Note: Dimensions "C" & "E" include a 4" high mounting bracket on 3" valve and a 6" high mounting bracket on 4" - 6" valves

*C = Carbon Stl Body, 316SS Trim

*S = 316SS Body & Trim

① C=Flow Pattern

MPF150 VALVE SPECIFICATIONS

- MPF150 Class 150
- Grounded Ball & Stem
- Full Port Ball Orifice
- Four-Bolt Actuator Mounting
- Multiple piece Stem Packing
- Carbon Steel (1-1/2" - 6") or Stainless Steel (3/4" - 6") Body
- Unique one piece Ball & Stem design
- Seats: TFM
- Max Temp: 475°F

ELECTRIC ACTUATOR FEATURES

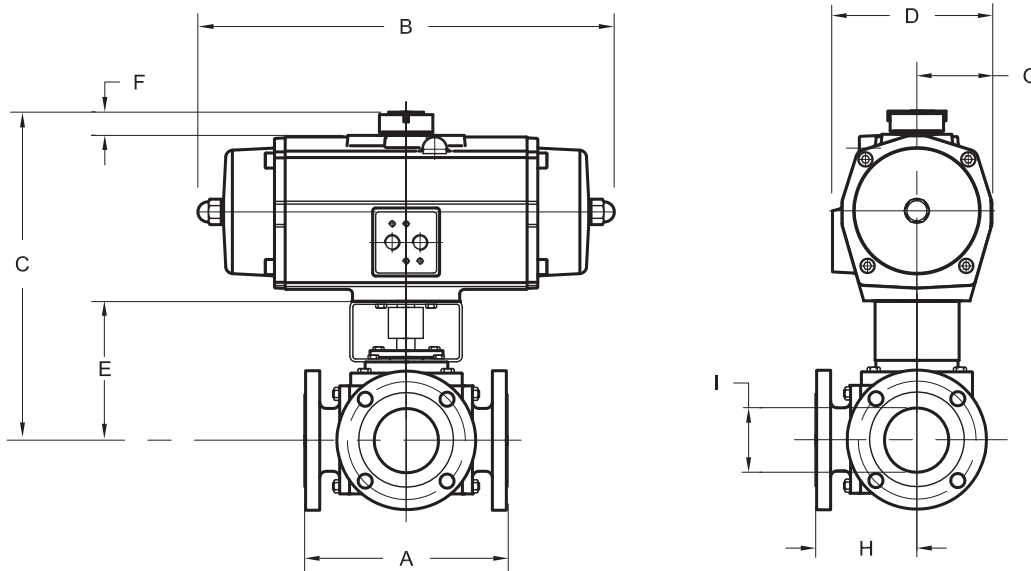
- B7 Series electric actuator
- NEMA 4, 4x, 7, & 9; CSA approved
- Weatherproof
- Class I Groups C and D, Div. 1
- Class II Groups E, F, & G
- (2) 1/2" NPT conduit entries
- Manual override
- Visual position indicator
- CSA certified
- Temperature range: 0°F to 175°F

MPF300 ESR 1.5 - 6

Full port ball valve with spring return pneumatic actuator

300# Flanged body TFM Seats

Actuators are sized for 150 psi pressure differential



DIMENSIONS, WEIGHTS & SPECIFICATIONS

Size	A	B	C	D	E	F	G	H	I	Actuator	Wt. (lbs.)	Model No.
80 psig Minimum Actuator Air Supply = 8S												
1-1/2"	8.75	15.24	13.24	7.12	5.32	.79	3.41	3.82	1.57	ES350	77.3	GMPF300 * F E8S ① ②
2"	9.37	15.24	13.68	7.12	5.76	.79	3.41	4.69	1.97	ES350	82.3	HMPF300 * F E8S ① ②
3"	11.85	20.35	19.16	9.51	7.78	1.18	4.54	5.93	2.99	ES950	185.1	JMPF300 * F E8S ① ②
4"	15.12	25.08	23.71	10.81	10.84	1.18	5.21	7.56	3.94	ES1600	315.1	KMPF300 * F E8S ① ②
6"	18.43	32.83	29.23	15.35	13.09	1.18	7.48	9.21	5.91	PS4000	711.0	MMPF300 * F E8S ① ②
60 psig Minimum Actuator Air Supply = 6S												
1-1/2"	8.75	20.35	16.70	9.51	5.32	1.18	4.54	3.82	1.57	ES950-3	125.1	GMPF300 * F E6S ① ②
2"	9.37	20.35	17.14	9.51	5.76	1.18	4.54	4.69	1.97	ES950-3	130.1	HMPF300 * F E6S ① ②
3"	11.85	22.44	22.98	14.17	7.78	1.18	6.89	5.93	2.99	PS2500-10	294.0	JMPF300 * F E6S ① ②
4"	15.12	22.44	18.24	14.17	10.84	1.18	6.89	7.56	3.94	PS2500-3	364.0	KMPF300 * F E6S ① ②
6"												

Note: Dimensions "C" & "E" include a 3" high mounting bracket on 1-1/2" - 2" valves
4" high mounting bracket on 3" valve & 6" high bracket on 4" - 6" valves

*C = Carbon Stl Body, 316SS Trim
*S = 316SS Body & Trim
① C=Flow Pattern
② C=Fail Close, O=Fail Open

MPF300 VALVE SPECIFICATIONS

- MPF300 Class 300
- Grounded Ball & Stem
- Full Port Ball Orifice
- Four-Bolt Actuator Mounting
- Multiple piece Stem Packing
- Carbon Steel or Stainless Steel Body
- Unique one piece Ball & Stem design
- Seats: TFM
- Max Temp: 475°F

PNEUMATIC ACTUATOR FEATURES

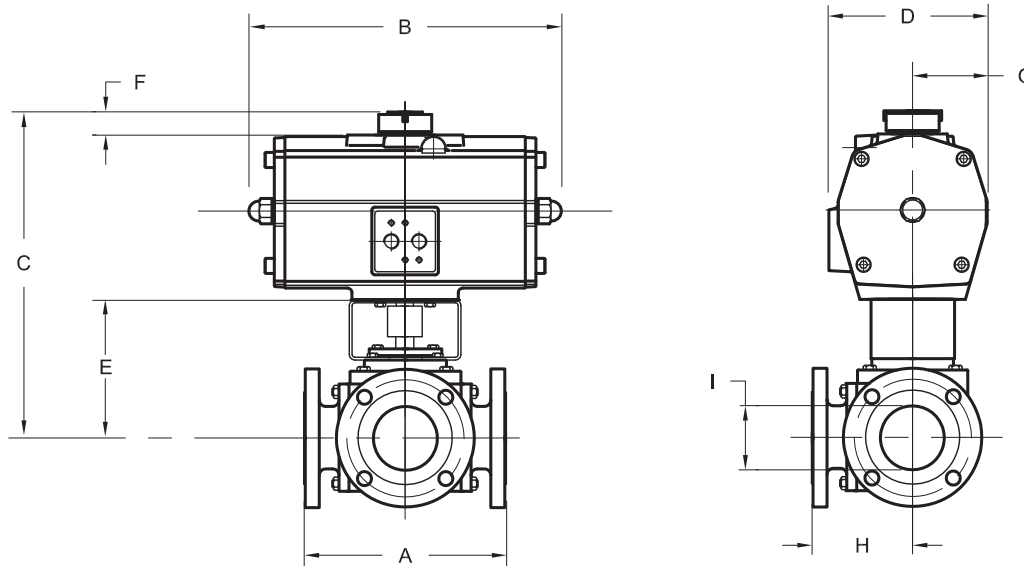
- E Series spring return rack and pinion pneumatic actuator
- Corrosion resistant coating
- NAMUR solenoid mounting pad, ISO 5211 mounting standard
- Visual position indicator
- High duty cycle, permanent lubrication
- Temperature range: -4°F to 175°F

MPF300 EDA 1.5 - 6

Full port ball valve with double acting pneumatic actuator

300# Flanged body TFM Seats

Actuators are sized for 150 psi pressure differential



DIMENSIONS, WEIGHTS & SPECIFICATIONS

Size	A	B	C	D	E	F	G	H	I	Actuator	Wt. (lbs.)	Model No.
80 psig Minimum Actuator Air Supply = 8D												
1-1/2"	8.75	11.14	11.74	5.39	5.32	.79	2.52	3.82	1.57	ED200	52.8	GMPF300 * F E8D ①
2"	9.37	11.14	12.18	5.39	5.76	.79	2.52	4.69	1.97	ED200	57.8	HMPF300 * F E8D ①
3"	11.85	12.01	15.70	7.12	7.78	.79	3.41	5.93	2.99	ED350	122.9	JMPF300 * F E8D ①
4"	15.12	15.24	20.68	8.52	10.84	1.18	4.08	7.56	3.94	ED600	212.8	KMPF300 * F E8D ①
6"	18.43	14.88	28.29	14.17	13.09	1.18	6.89	9.21	5.91	PD2500	545.0	MMPF300 * F E8D ①
60 psig Minimum Actuator Air Supply = 6D												
1-1/2"	8.75	11.14	11.74	5.39	5.32	.79	2.52	3.82	1.57	ED200	52.8	GMPF300 * F E6D ①
2"	9.37	11.14	12.18	5.39	5.76	.79	2.52	4.69	1.97	ED200	57.8	HMPF300 * F E6D ①
3"	11.85	15.24	17.62	8.52	7.78	1.18	4.08	5.93	2.99	ED600	142.8	JMPF300 * F E6D ①
4"	15.12	16.69	22.22	9.51	10.84	1.18	4.54	7.56	3.94	ED950	228.2	KMPF300 * F E6D ①
6"	18.43	14.88	28.29	14.17	13.09	1.18	6.89	9.21	5.91	PD2500	545.0	KMPF300 * F E6D ①

Note: Dimensions "C" & "E" include a 3" high mounting bracket on 1-1/2" - 2" valves
4" high mounting bracket on 3" valve & 6" high bracket on 4" - 6" valves

*C = Carbon Stl Body, 316SS Trim
*S = 316SS Body & Trim
① C=Flow Pattern

MPF300 VALVE SPECIFICATIONS

- MPF300 Class 300
- Grounded Ball & Stem
- Full Port Ball Orifice
- Four-Bolt Actuator Mounting
- Multiple piece Stem Packing
- Carbon Steel or Stainless Steel Body
- Unique one piece Ball & Stem design
- Seats: TFM
- Max Temp: 475°F

PNEUMATIC ACTUATOR FEATURES

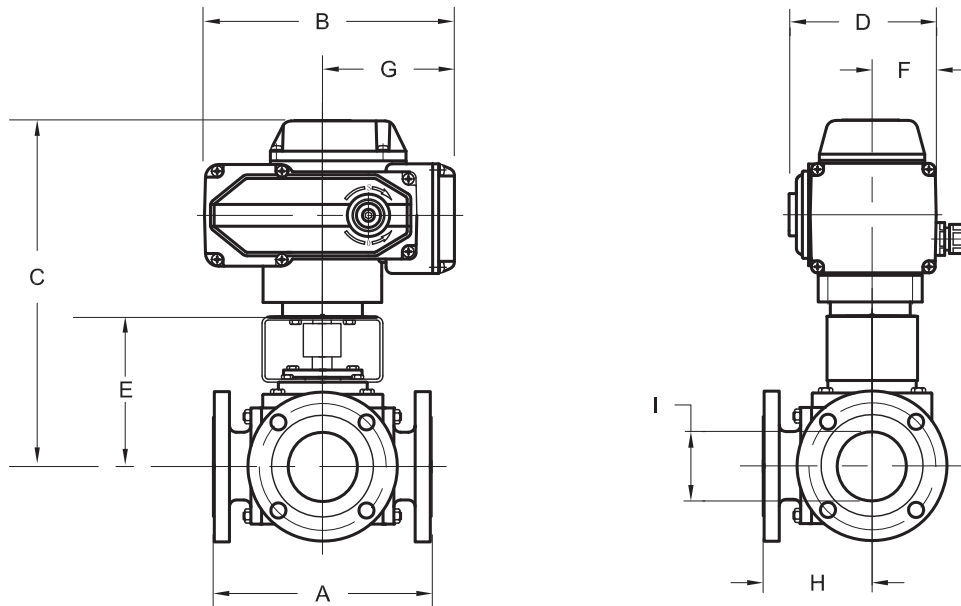
- E Series double acting rack and pinion pneumatic actuator
- Corrosion resistant coating
- NAMUR solenoid mounting pad, ISO 5211 mounting standard
- Visual position indicator
- High duty cycle, permanent lubrication
- Temperature range: -4°F to 175°F

MPF300 K4A 1.5 - 6

Full port ball valve with electric actuator

300# Flanged body TFM Seats

Actuators are sized for 150 psi pressure differential



DIMENSIONS, WEIGHTS & SPECIFICATIONS

Size	A	B	C	D	E	F	G	H	I	Actuator	Wt. (lbs.)	Model No.
1-1/2"	8.75	10.10	12.60	6.16	5.32	2.46	5.25	3.82	1.50	UNIC 20A	58.0	GMPF300 * F K4A ①
2"	9.37	10.10	13.04	6.16	5.76	2.46	5.25	4.69	2.01	UNIC 20A	63.0	HMPF300 * F K4A ①
3"	11.85	15.00	16.99	9.53	7.78	4.13	7.85	5.93	3.00	UNIC 60A	146.2	JMPF300 * F K4A ①
4"	15.12	15.00	20.05	9.53	10.84	4.13	7.85	7.56	4.02	UNIC 100A	217.7	KMPF300 * F K4A ①
6"	18.43	15.00	22.30	9.98	13.09	4.13	7.85	9.21	5.98	UNIC 200A	472.9	MMPF300 * F K4A ①

Note: Dimensions "C" & "E" include a 3" high mounting bracket on 1-1/2" - 2" valves
4" high mounting bracket on 3" valve & 6" high bracket on 4" - 6" valves

*C = Carbon Stl Body, 316SS Trim
*S = 316SS Body & Trim
① C=Flow Pattern

MPF300 VALVE SPECIFICATIONS

- MPF300 Class 300
- Grounded Ball & Stem
- Full Port Ball Orifice
- Four-Bolt Actuator Mounting
- Multiple piece Stem Packing
- Carbon Steel (1-1/2" - 6") or Stainless Steel (3/4" - 6") Body
- Unique one piece Ball & Stem design
- Seats: TFM
- Max Temp: 475°F

ELECTRIC ACTUATOR FEATURES

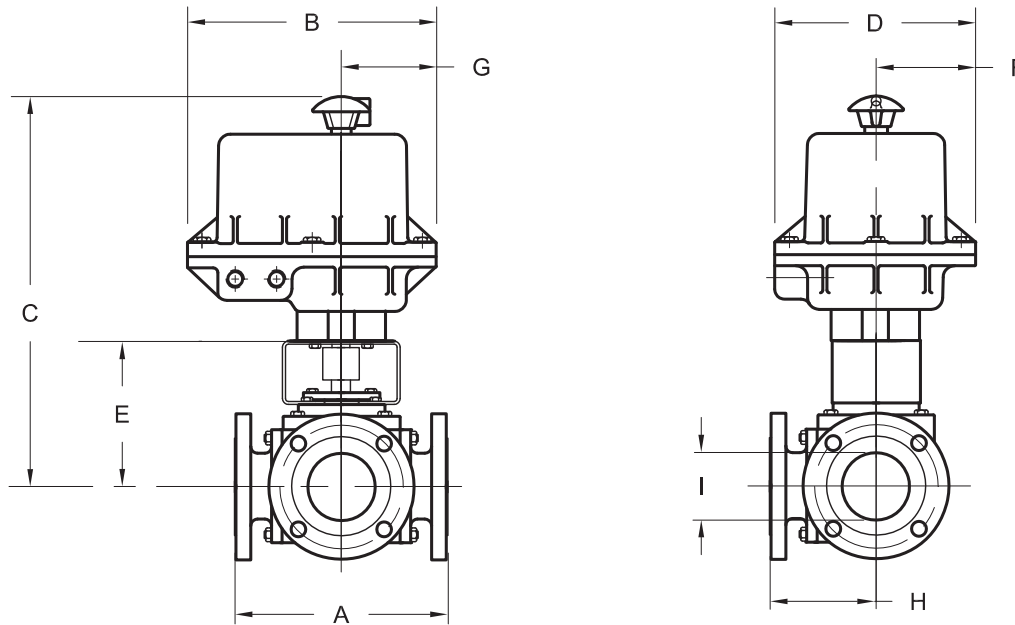
- K Series electric actuator
- Actuator speed: 25 sec.
- Most voltages available
- Quarter turn: 0-90° rotation
- NEMA 4/4X certified by UL labs
- ISO 5211 mounting standard
- Visual position indicator
- Self-locking drive train
- Mounts in any direction
- 1/2" NPT conduit connection
- CSA-NRTL /C and CE certified
- Temperature range: 0°F to 160°F

MPF300 B7A 1.5 - 2

Full port ball valve with electric actuator

300# Flanged body TFM Seats

Actuators are sized for 150 psi pressure differential



DIMENSIONS, WEIGHTS & SPECIFICATIONS

Size	A	B	C	D	E	F	G	H	I	Actuator	Wt. (lbs.)	Model No.
1-1/2"	8.75	8.25	14.76	6.25	5.32	3.12	3.75	3.82	1.57	EM500_30	58.0	GMPF300 * F B7A ①
2"	9.37	9.75	15.20	7.75	5.76	3.88	3.75	4.69	1.97	EM500_15	63.0	HMPF300 * F B7A ①

Note: Dimensions "C" & "E" include a 3" high mounting bracket

*C = Carbon Stl Body, 316SS Trim

*S = 316SS Body & Trim

① C=Flow Pattern

MPF300 VALVE SPECIFICATIONS

- MPF300 Class 300
- Grounded Ball & Stem
- Full Port Ball Orifice
- Four-Bolt Actuator Mounting
- Multiple piece Stem Packing
- Carbon Steel (1-1/2" - 6") or Stainless Steel (3/4" - 6") Body
- Unique one piece Ball & Stem design
- Seats: TFM
- Max Temp: 475°F

ELECTRIC ACTUATOR FEATURES

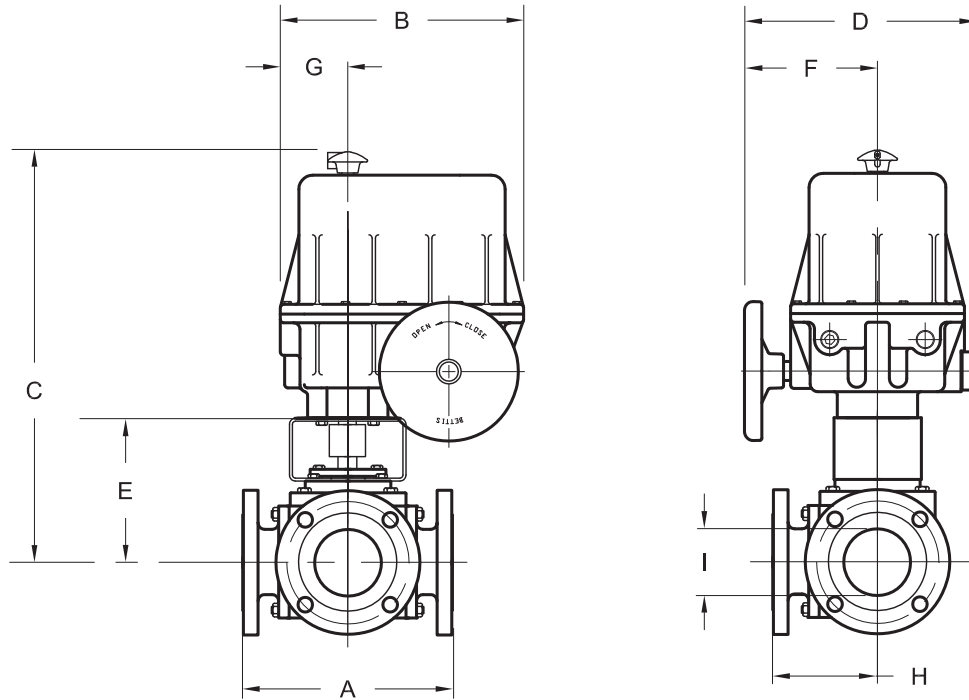
- B7 Series electric actuator
- NEMA 4, 4x, 7, & 9; CSA approved
- Weatherproof
- Class I Groups C and D, Div. 1
- Class II Groups E, F, & G
- (2) 1/2" NPT conduit entries
- Manual override
- Visual position indicator
- CSA certified
- Temperature range: 0°F to 175°F

MPF300 B7A 3 - 6

Full port ball valve with electric actuator

300# Flanged body TFM Seats

Actuators are sized for 150 psi pressure differential



DIMENSIONS, WEIGHTS & SPECIFICATIONS

Size	A	B	C	D	E	F	G	H	I	Actuator	Wt. (lbs.)	Model No.
3"	11.26	14.00	23.16	13.31	7.78	7.62	3.88	7.20	2.99	EM820_18	260.0	DMPF300 * F B7A ①
4"	13.66	14.00	26.22	13.31	10.84	7.62	3.88	7.56	3.94	EM820_30	330.0	EMPF300 * F B7A ①
6"	16.77	14.00	28.47	13.31	13.09	7.62	3.88	9.21	5.91	EM840_72	580.0	GMPF300 * F B7A ①

Note: Dimensions "C" & "E" include a 4" high mounting bracket on 3" valve and a 6" high mounting bracket on 4" - 6" valves

*C = Carbon Stl Body, 316SS Trim

*S = 316SS Body & Trim

① C=Flow Pattern

MPF300 VALVE SPECIFICATIONS

- MPF300 Class 300
- Grounded Ball & Stem
- Full Port Ball Orifice
- Four-Bolt Actuator Mounting
- Multiple piece Stem Packing
- Carbon Steel (1-1/2" - 6") or Stainless Steel (3/4" - 6") Body
- Unique one piece Ball & Stem design
- Seats: TFM
- Max Temp: 475°F

ELECTRIC ACTUATOR FEATURES

- B7 Series electric actuator
- NEMA 4, 4x, 7, & 9; CSA approved
- Weatherproof
- Class I Groups C and D, Div. 1
- Class II Groups E, F, & G
- (2) 1/2" NPT conduit entries
- Manual override
- Visual position indicator
- CSA certified
- Temperature range: 0°F to 175°F