



EWG Series Economy Carbon Steel, ANSI Flange Wedge Gate Valves



EWG Wedge Gate Valves from Assured Automation are an economical solution for on/off control in water, wastewater and other general on/off applications controlling non-volatile fluids. The simple design provides positive shut-off and sealing.

FEATURES

- Manufactured in an ISO certified factory
- 100% testing to API 598
- Low emission API 622 stem packing
- Low pressure drop
- Suitable for bi-directional flow
- Good positive shut-off and sealing
- Economical design and construction

TYPICAL APPLICATIONS

- Water
- Wastewater
- General On/Off service for non-volatile fluids

END CONNECTIONS

- Class 150:** 2" to 36"
- Class 300:** 2" to 36"
- Class 600:** 2" to 24"
- Class 900:** 3" to 12"
- Class 1500:** 2" to 12"

PRESSURE RANGE

- Class 150:** 285 PSIG (up to 100°F)
- Class 300:** 740 PSIG (up to 100°F)
- Class 600:** 1,480 PSIG (up to 100°F)
- Class 900:** 2,220 PSIG (up to 100°F)
- Class 1500:** 3,705 PSIG (up to 100°F)

[See Pressure/Temperature curve on page 2](#)

TEMPERATURE RANGE

-20°F to 1000°F
not recommended for prolonged use above 800°F

[See Pressure/Temperature curve on page 2](#)

MATERIALS

- Body & Bonnet:** Carbon Steel (A216 WCB)
- Wedge:** A216 WCB / WCB13Cr
- Seat Rings:** A105 / HF (Sellite® 6 or equiv.)
- Body Gasket:** 316 SS / Graphite GHE
- Stem:** AISI 410

[See page 3 for complete materials details](#)

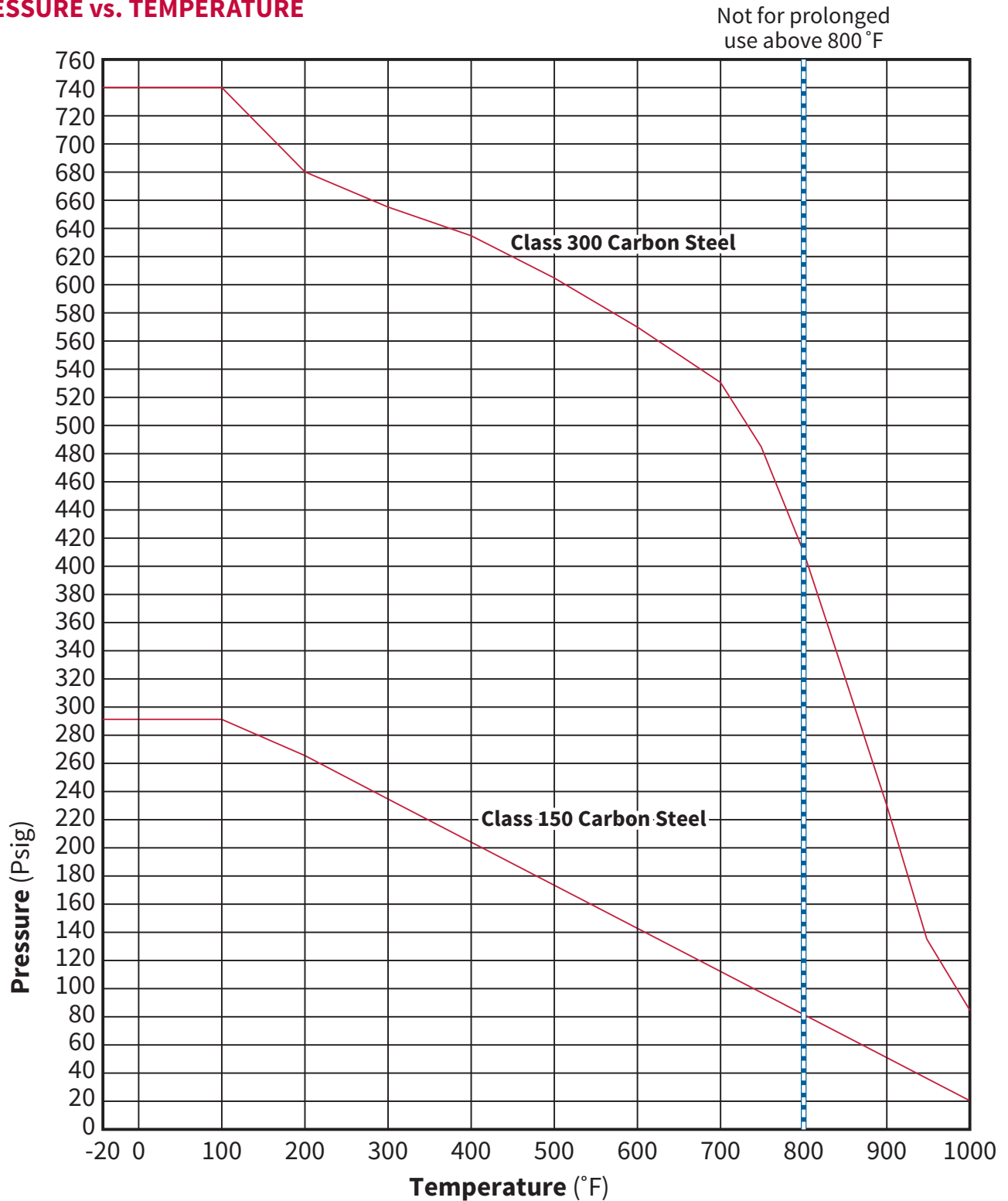


EWG Series



Economy Carbon Steel, ANSI Flange Wedge Gate Valves

PRESSURE vs. TEMPERATURE



Call for Class 600, 900, 1500 Pressure/Temperature Curves

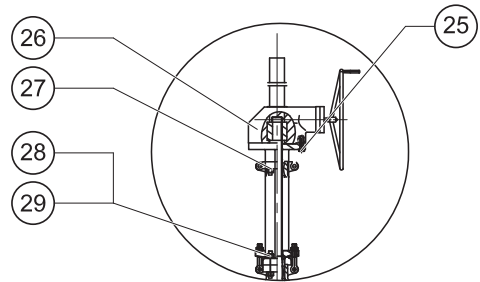
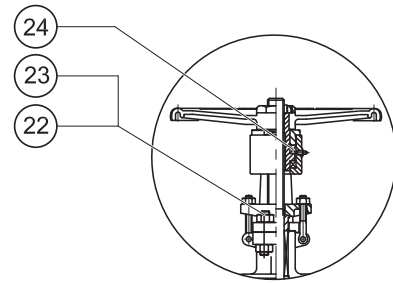
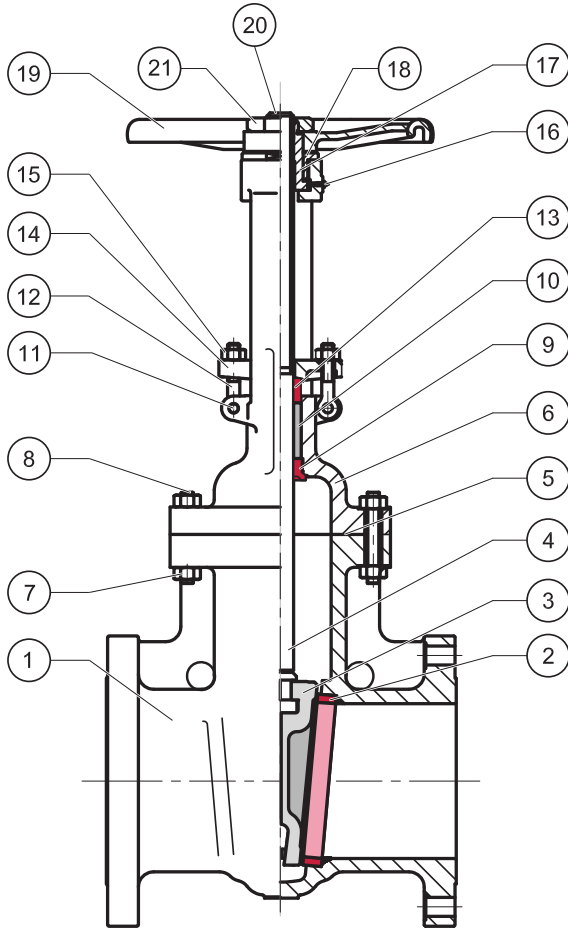


EWG Series



Economy Carbon Steel, ANSI Flange Wedge Gate Valves

MATERIALS OF CONSTRUCTION (Carbon Steel - Call for Stainless Steel)



Item	Name	Material
1	Body	A216 WCB
2	Seat Ring (surface)	A105 (13CR)
3	Gate (surface)	A216WCB (13CR)
4	Stem	13CR
5	Body/Bonnet Gasket	Graphite Jacketed Stainless Steel
6	Bonnet	A216 WCB
7	Bonnet Nuts	A194-2H
8	Bonnet Studs	A193-B7
9	Bonnet Bushing	13CR
10	Packing	Braided Graphite and Graphite Ring
11	Eyebolt Pins	Carbon Steel
12	Eyebolts	A193-B7
13	Gland	13CR
14	Gland Flange	A216 WCB
15	Eyebolt Nuts	A194-2H

Item	Name	Material
16	Grease Fitting	Carbon Steel
17	Yoke Sleeve	A 439 Gr. D2C
18	Retaining Nut	Carbon Steel
19	Handwheel	Malleable Iron
20	Handwheel Nut	Carbon Steel
21	Screw	Carbon Steel
22	Yoke Pad Bolts	A193-B7
23	Yoke Pad Bolt Nuts	A194-2H
24	Bearing	Carbon Steel
25	Stud	Carbon Steel
26	Gear	Carbon Steel
27	Stud	A216 WCB
28	Yoke Pad Bolt	A193-B7
29	Yoke Pad Bolt Nuts	A194-2H

Call for stainless steel valve materials

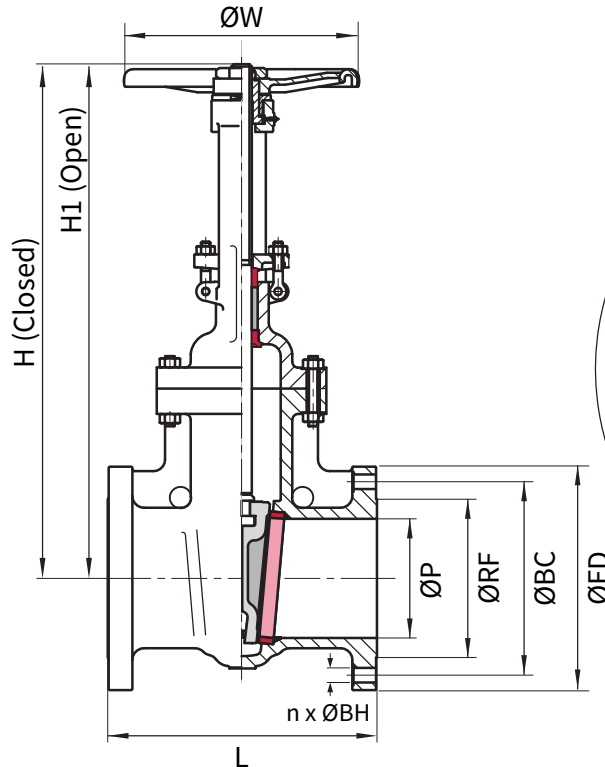


EWG Series

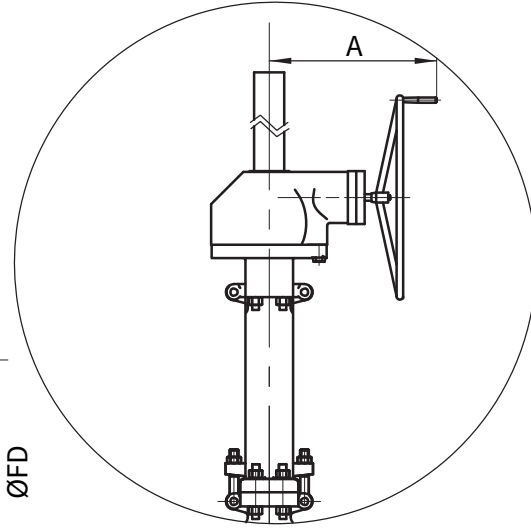


Economy Carbon Steel, ANSI Flange Wedge Gate Valves

DIMENSIONS (Class 150 - Call for other ANSI Classes)



Size 14" to 36"
with Geared Handwheel



Size	H	H1	ØW	L	A	n	ØBH	ØP	ØRF	ØBC	ØFD	f	Weight (lbs)	Cv (gpm)
2"	13	15.28	8	7.00	-	4	0.75	2	3.62	4.75	6.00	0.06	40	160
2 1/2"	14	17.48	8	7.50	-	4	0.75	3	4.12	5.50	7.00	0.06	62	265
3"	16	19.57	10	8.00	-	4	0.75	3	5.00	6.00	7.50	0.06	75	475
4"	18	23.03	10	9.00	-	8	0.75	4	6.19	7.50	9.00	0.06	115	760
6"	24	30.12	14	10.50	-	8	0.87	6	8.50	9.50	11.00	0.06	194	1,250
8"	29	37.95	14	11.50	-	8	0.87	8	10.62	11.75	13.50	0.06	317	3,000
10"	35	45.47	16	13.00	-	12	1.00	10	12.75	14.25	16.00	0.06	434	5,600
12"	41	53.62	18	14.00	-	12	1.00	12	15.00	17.00	19.00	0.06	657	9,000
14"	46	60.43	22	15.00	14.17	12	1.12	13	16.25	18.75	21.00	0.06	948	13,100
16"	54	71.30	24	16.00	14.17	16	1.12	15	18.50	21.25	23.50	0.06	1,208	16,100
18"	60	79.09	25	17.00	14.17	16	1.25	17	21.00	22.75	25.00	0.06	1,640	25,100
20"	67	87.80	27	18.00	16.18	20	1.25	19	23.00	25.00	27.50	0.06	2,463	27,700
24"	79	103.98	30	20.00	16.18	20	1.25	23	27.25	29.50	32.00	0.06	3,232	34,800

Call for larger sizes and for ANSI Class 300, 600, 900, 1500 valves



EWG Series



Economy Carbon Steel, ANSI Flange Wedge Gate Valves

ORDERING INFORMATION

EWG - 200 - CS - RF150 - T8 - M

Series	Size	Body Material	Connection Type	Trim Material	Actuator
--------	------	---------------	-----------------	---------------	----------

VALVE BODY

Size: _____
EWG = Economy Carbon Steel RF 150# Flanged Wedge Gate Valve

Size: _____

200 = 2"	600 = 6"	1400 = 14"	2400 = 24"	3200 = 32"
250 = 2 1/2"	800 = 8"	1600 = 16"	2600 = 26"	3600 = 36"
300 = 3"	1000 = 10"	1800 = 18"	2800 = 28"	
400 = 4"	1200 = 12"	2000 = 20"	3000 = 30"	

(Larger sizes are available - Call for more information)

Body Material: _____
CS = Carbon steel (A216 WCB)
Call for Stainless Steel

Connection Type: _____
RF150 = ANSI Class 150 Raised face flange
RF300 = ANSI Class 300 Raised face flange
RF600 = ANSI Class 600 Raised face flange
RF900 = ANSI Class 900 Raised face flange
RF1500 = ANSI Class 1500 Raised face flange

Trim Material: _____
T8 = API 600 Trim 8 (410 Hard Faced [Stellite 6 or equivalent])
(many other trim types are available - Call for more information)

ACTUATOR

M

Manual Operators

Series

Type:
M = Basic manual hand wheel on stem
G = Geared hand wheel - 90 degree bevel gear to stem