

CE Series

Compact Electric 90° On/Off Valve Actuators



The CE series electric actuators are low cost, compact, 90° rotary actuators. They are available in 12vDC, 24vDC, or 24vAC. They include a visual position indicator and feature a manual override which can be operated while attached to the valve.

FEATURES

- ISO 5211, 4-bolt actuator mounting pad for direct mounting to valve or bracket - F03, 9mm
- Pre-wired with a cable lead eliminates the need for opening the actuator and wiring in the field
- Visual position indicator
- Manual override for emergency operation requires no special tools. Use a screwdriver to switch to manual operation and use a wrench to rotate the position indicator, which in turn rotates the valve
- Two isolated end of travel limit switches (0° and 90°) to stop the motor
- Two SPST auxilliary switches to indicate fully open and closed positions
- 100% testing to ensure quality of all valve assemblies
- Rugged gearbox construction for extended service life

SPECIFICATIONS

Duty Cycle: 50%

Rotation: 90°

Limit Switches:

- 2 isolated dry contact switches to stop motor
- 2 SPST Aux. switch for position indication

Heater: Available as special order - consult factory

Electrical Connection: 24" cable

Speed:

- 4 - 11 sec. for 90° rotation
- (Varies with valve size.)

Protection: IP54 indoor use only
(protection from dust and splashing water)

CE SERIES MODEL NUMBERING

Model Number _____ **CEX**
 Series: _____ ↑
CE = Compact Electric
 Voltage: _____ ↑
B = 24vDC
E = 24vAC
F = 12vDC

TEMPERATURE RANGE

-4°F to 158°F (-20°C to 70°C)

MATERIALS

Housing:
polycarbonate plastic (ABS/PC)

TORQUE

All Models:
100 in/lbs.

APPROVALS



AVAILABLE ON THESE SERIES VALVES

26 Series
Stainless Steel Ball Valves
1/4" to 3/4"



36 Series
Stainless Steel Ball Valves
1/4" to 3/4"



101 Series
Ni Plated Brass Ball Valves*
1/4" to 1"



31D Series
Brass 3-way Ball Valves
1/4" to 1/2"



33D Series
SS 3-way Ball Valves
1/4" to 3/8"

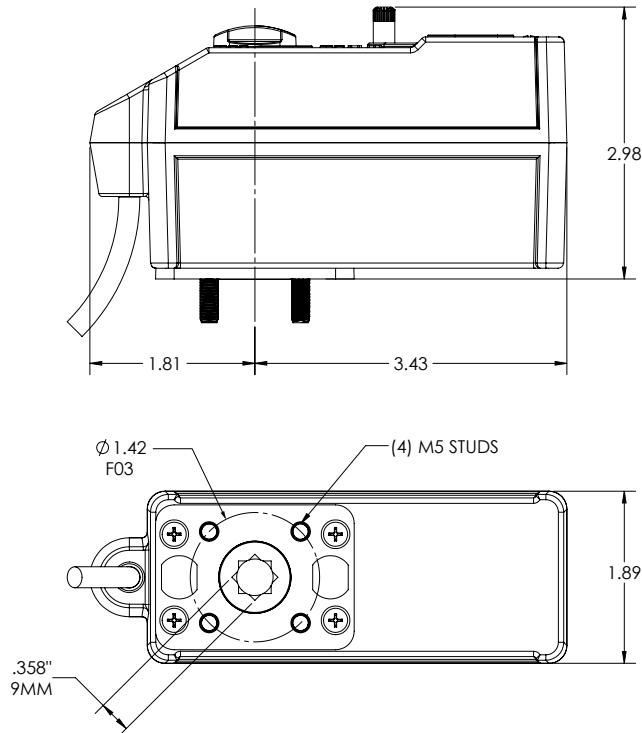


*Also available on lead free brass ball valves - See **SM Series**
Contact us for the most recent product and technical information. Visit our website for more details: assuredautomation.com

CE Series

Compact on/off electric actuators
(ISO 5211 mounting pad)

DIMENSIONS, WEIGHTS & SPECIFICATIONS



FEATURES & OPTIONS

- 24vDC, 24vAC, or 12vDC operation voltage
- IP54 (protection from dust and splashing water) (IP65 available as special order)
- Limit Switch: two isolated end of travel
- Aux. Limit Switch: two SPST for 0° & 90°
- ISO 5211 4-bolt mounting (male)

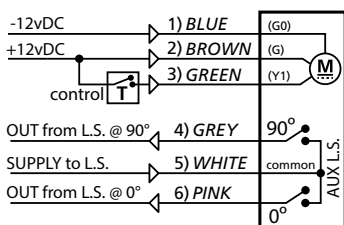
SPECIFICATIONS & APPROVALS

- Temperature range: -4°F to 158°F (-20°C to 70°C)
- Current Draw:
 - 12vDC = 0.83 Amps
 - 24vDC = 0.83 Amps
 - 24vAC = 0.83 Amps
- Torque Output: 100 in/lbs.
- CE marked

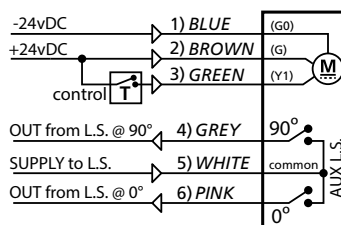


WIRING DIAGRAMS

12vDC



24vDC



24vAC

