



BFY Series Sanitary Butterfly Valves



The BFY series Sanitary Butterfly Valves are full port, 316L stainless steel, butterfly valves with Tri-Clamp or butt weld connections. They are equipped with a 304 SS manual handle with an 13-position locking device. They are ideal for use in dairy and brewing applications.

FEATURES

- ASTM 316L grade stainless steel body
- Surface finish meets 3-A, FDA & USDA standards
- 316L mirror finish disc provides an even flow preventing obstructions and restrictions
- Opposing body bolt design prevents loosening between body sections due to vibration and operation, and provides positive sealing
- Bolting is flush with body surface
- FDA approved available options: silicone, EPDM and VITON®
- 13-position, 304SS, spring loaded lever lock handle
- Suitable for actuation with pneumatic, electric, or canister actuators

END CONNECTIONS

Tri-Clamp: 1/2" to 6"
Butt Weld: 1/2" to 6"

MAX. PRESSURE

110 PSI

MAX. TEMPERATURE

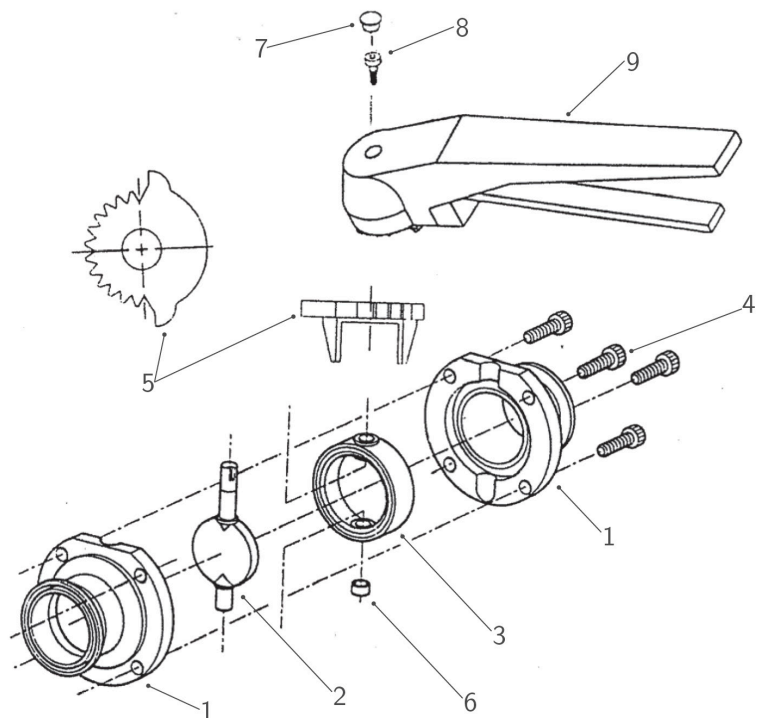
200° F

TYPICAL APPLICATIONS

- Food & Beverage
- Brewing, Distilling, and Wine Making
- Dairy
- Pharmaceuticals
- Chemical Processing
- Water Filtration
- Textile Dyeing & Drying
- Flavor and Fragrance
- Ink & Paint

CONSTRUCTION

Item	Part (Qty.)	Material	
1	Body Half	2	316L SS
2	Disc	1	316L SS
3	Seat	1	Silicone/EPDM/Viton
4	Body Bolts	4	304 SS
5	Notch Plate	1	316 SS
6	Body Cap	1	BUNA-N
7	Handle Cap	1	BUNA-N
8	Handle Screw	1	304 SS
9	Handle	1	304 SS





BFY Series



Sanitary Butterfly Valves

SANITARY BUTTERFLY VALVE ORDERING

	C	BFY	C	S	E	M
	Size	Series	Conn.	Body	Seat	Actuator
Size: _____						
C = 1/2"						
D = 3/4"						
E = 1"						
G = 1 1/2"						
H = 2"						
I = 2 1/2"						
J = 3"						
K = 4"						
M = 6"						
Series: _____						
BFY = Sanitary Butterfly Valve						
End Connections: _____						
C = Tri-clamp						
B = Butt-weld						
Body Material: _____						
S = 316L stainless steel						
Seat Material: _____						
E = EPDM						
S = Silicone						
V = Viton®						
Actuator: _____						
M = 13-position spring-loaded locking handle						
Pneumatic and electric actuators are also available - Call 1-800-899-0553 for information						