



## 21 Series Stainless Steel 2-way Full Port Ball Valve



The Assured Automation 21 series manual ball valves are full port, 316 stainless steel, NPT threaded manual ball valves. They are equipped with a manual handle with a locking device.

### FEATURES

- Silicone free
- Full port ball drilling for unrestricted flow
- Investment cast 2-piece stainless steel body
- Blow-out proof stem
- Compact assembly
- Locking device

### TYPICAL APPLICATIONS

- Air drying equipment
- Sterilizers and autoclaves
- Pollution control equipment
- Process control applications
- Laundry equipment
- Textile dyeing and drying
- Bottling and dispensing equipment
- Ink and paint dispensing

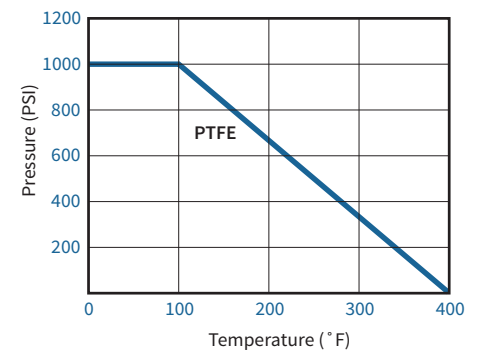
### SPECIFICATIONS

#### Pressure Range:

29 inHg vacuum to 1000 PSI (up to 100°F)

#### Pressure Range:

-20°F to 400°F

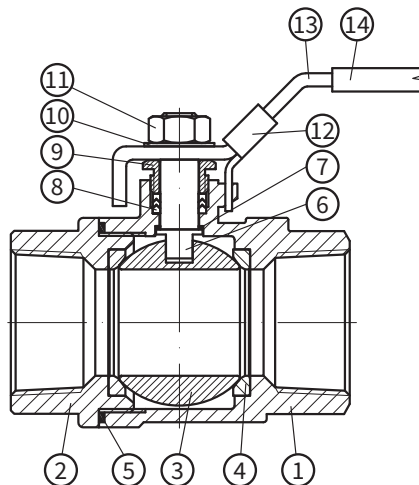


#### End Connections:

1/4" to 2" NPT Threaded (female)

### MATERIALS OF CONSTRUCTION

#	Description	Material	Qty.
1	Body	ASTMA351 Gr. CF8M	1
2	Cap	ASTMA351 Gr. CF8M	1
3	Ball	CF8M	1
4	Seat	PTFE	2
5	Gasket	PTFE	1
6	Stem	SS316	1
7	Thrust Washer	PTFE	1
8	Stem Packing	PTFE	1
9	Gland Nut	SS304	1
10	Handle Washer	SS304	1
11	Handle Nut	SS304	1
12	Locking Device	SS304	1
13	Handle	SS304	1
14	Handle Sleeve	Vinyl	1



### Cv FACTORS (coefficient of flow)

Size	Cv in GPM
1/4"	1.8
3/8"	8.0
1/2"	28.1
3/4"	51.9
1"	78.0
1-1/4"	114
1-1/2"	175
2"	350
2 1/2"	560
3"	952

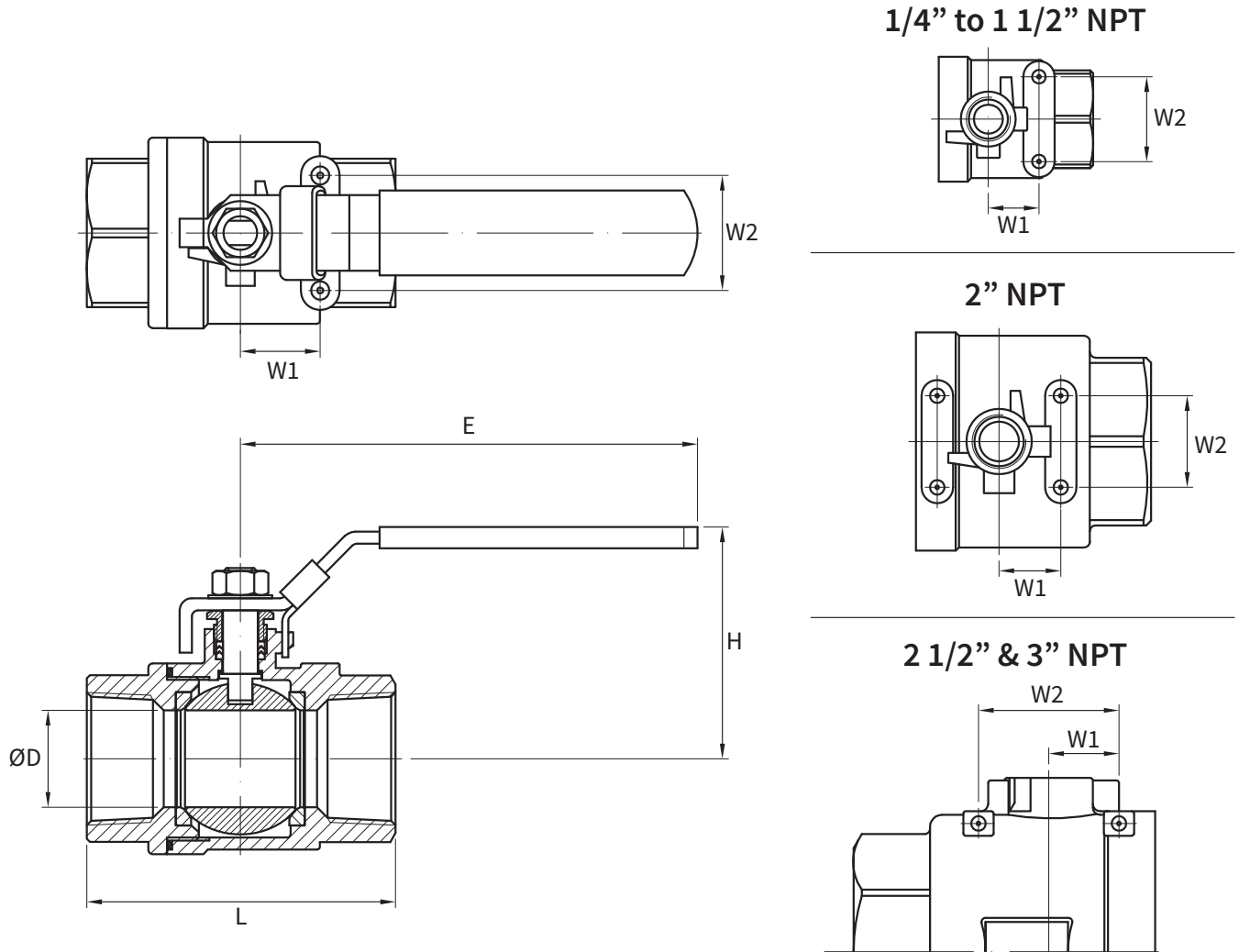


## 21 Series



## Stainless Steel 2-way Full Port Ball Valve

### DIMENSIONS - NPT Connections



Model	NPT	DN	ØD	L	H	E	W1	W2	Weight (lbs.)
A21NPXM	1/4"	8	0.44"	2.19"	2.05"	4.13"	0.50"	1.12"	0.6
B21NPXM	3/8"	10	0.49"	2.19"	2.05"	4.13"	0.50"	1.12"	0.6
C21NPXM	1/2"	15	0.59"	2.56"	2.24"	4.13"	0.50"	1.12"	0.8
D21NPXM	3/4"	20	0.79"	2.91"	2.56"	5.12"	0.88"	1.38"	1.2
E21NPXM	1"	25	0.98"	3.48"	2.99"	6.22"	0.88"	1.38"	2.0
F21NPXM	1 1/4"	32	1.26"	4.00"	3.19"	6.22"	1.00"	1.50"	2.9
G21NPXM	1 1/2"	40	1.50"	4.35"	3.66"	7.48"	1.00"	1.50"	4.2
H21NPXM	2"	50	1.97"	4.96"	3.94"	7.48"	1.00"	1.50"	6.6
I21NPXM	2 1/2"	65	2.50"	6.40"	5.51"	10.32"	1.14"	2.36"	14.4
J21NPXM	3"	75	2.99"	7.02"	5.91"	10.32"	1.38"	2.76"	21.9