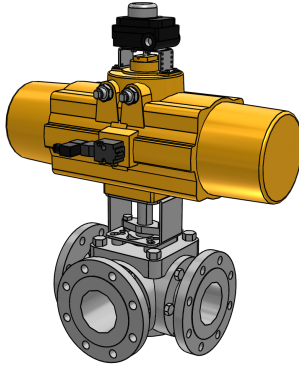


# MPF Series

## 150# ANSI Flanged, Carbon Steel, Full-port, 3-way Ball Valves

**Model:** KMPF150CFEF8S1C3AYF



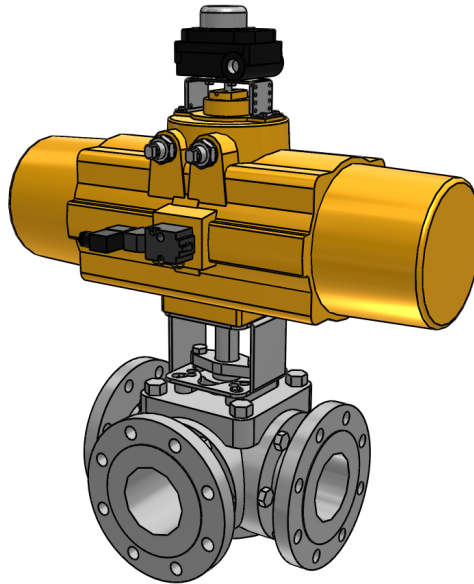
**Valve:** KMPF150CFEN

4" Full Port ball valve with 150# ANSI Flange connections, Carbon steel (ASTM A216 WCB) body, Stainless steel (ASTM A351 CF8M) ball, TFM seats, TFM stem packing, and Graphite body gasket.

**Actuator:** ELFSA950\_4

90° spring return rack and pinion pneumatic actuator, Sized for 80psi air, 4 springs, 6067 -> 3808 lbf.in. (air stroke), 5311 -> 3346 lbf.in. (spring stroke), 1/4 inch NPT NAMUR solenoid mounting pattern, ISO5211 F10/F14 valve mounting pattern, NAMUR switch/positioner mounting pattern.

### Interactive 3D Model:



**Note:** You must **Save** this file and view in **Acrobat Reader** in order to interact with this model.

#### Rotate

Click and Drag on the 3D image.

#### Zoom

Hold down **Shift** and click and drag up to zoom in and drag down to zoom out.

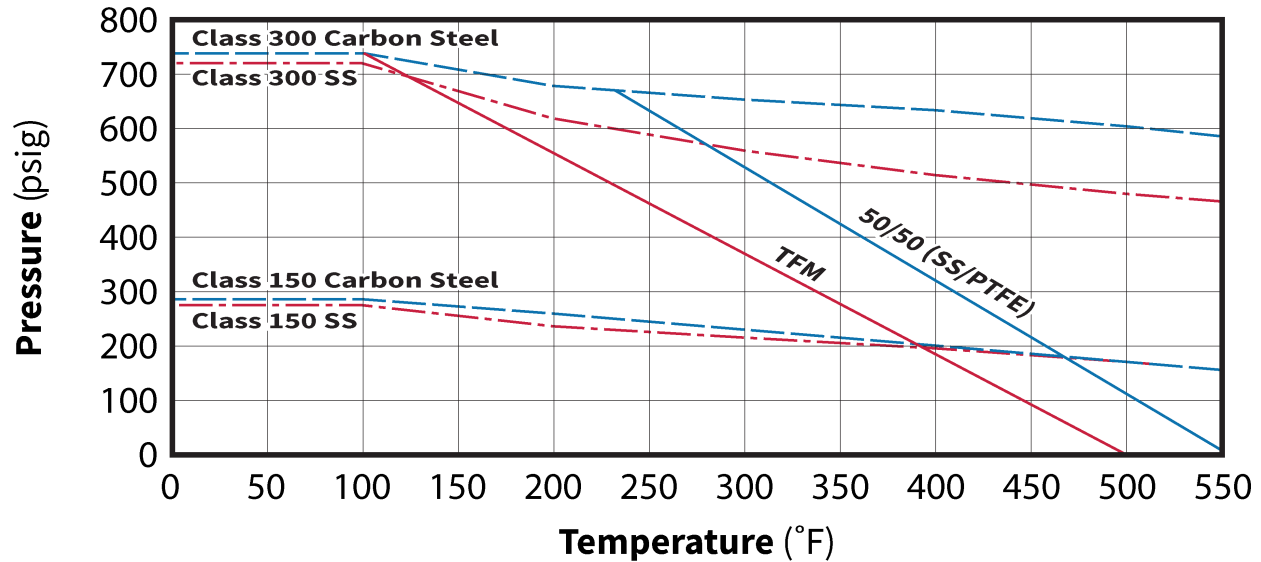
#### Pan

Hold down **Ctrl** and click and drag to the location you want.

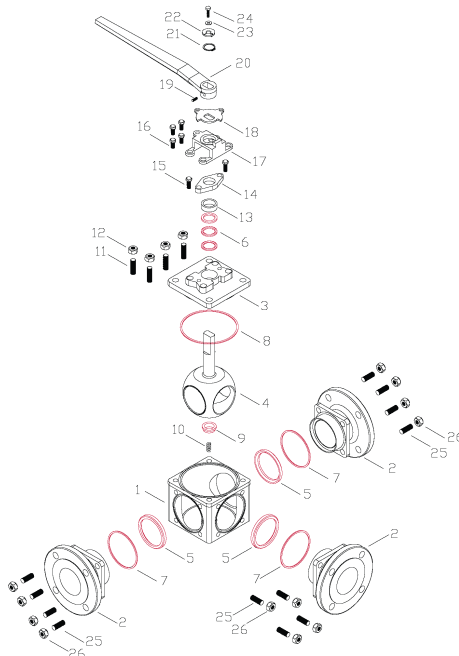
# MPF Series

## 150# ANSI Flanged, Carbon Steel, Full-port, 3-way Ball Valves

### Pressure/Temperature Curve



### Construction



Note: Red items are included in the seal replacement kits.

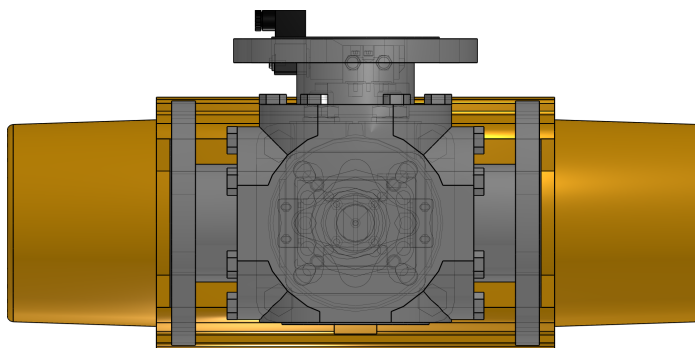
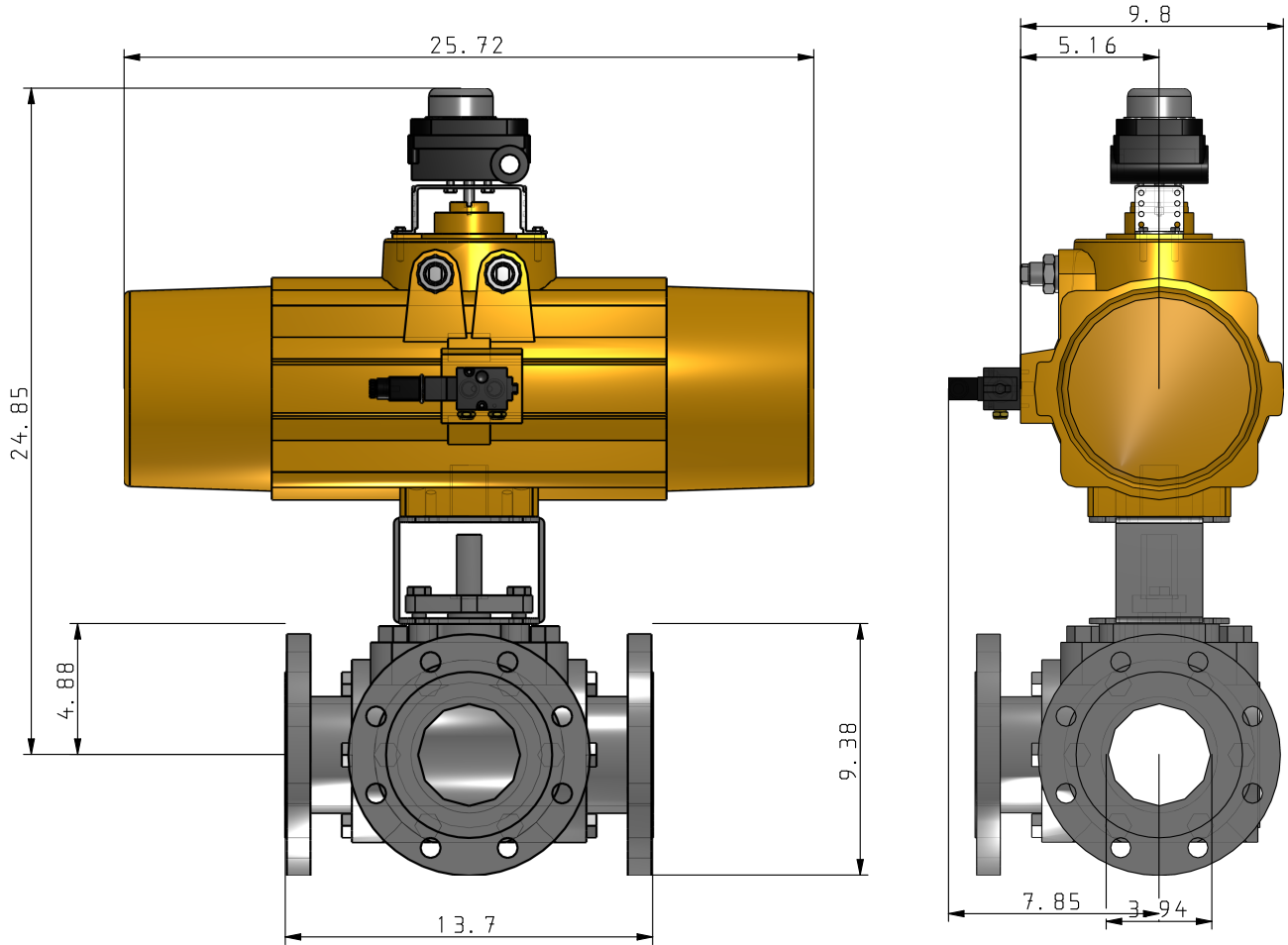
Item	Name	Carbon Steel	Stainless Steel
1	Valve Body	ASTM A216 WCB	ASTM A351 CF8M
2	End Cap	ASTM A216 WCB	ASTM A351 CF8M
3	Stem	SS316 / SS304	SS316
4	Packing Follower	SS304	SS304
5	Bellville Washer	SS301	SS301
6	Lock Washer	SS304	SS304
7	Ball	SS316 / SS304	SS316
8	Seat	TFM or 50/50	TFM or 50/50
9	Body Gasket	Graphite	Graphite
10	Stem Packing	TFM or Graphite	TFM or Graphite
11	Packing Protector	50%PTFE+SS316	50%PTFE+SS316
12	Thrust Washer	25%Carbon+TFM	25%Carbon+TFM
13	Anti-Static Devices	SS304	SS304
14	Valve Travel Stop	SS304	SS304
15	Manual Handle	SS304	SS304
16	Locking Device	SS304	SS304
17	Handle Sleeve	Plastic	Plastic
18	Thin Nut	SS304	SS304
19	Body Stud	ASTM A193 B7	ASTM A193 B8
20	Body Nut	ASTM A194 2H	ASTM A194 Gr.8
21	Bolt	SS304	SS304
22	O-ring	Viton®	Viton®
23	Seat O-ring	Viton®	Viton®

Viton® is a registered trademark of the DuPont Company

# MPF Series

## 150# ANSI Flanged, Carbon Steel, Full-port, 3-way Ball Valves

### Dimensions: KMPF150CFEF8S1C3AYF



### “T” Ball Drilling Plan “E”



Pos. 1

Pos. 2

*PLEASE NOTE: Due to the large amount of specifications and dimensions coming from multiple component manufacturers, we reserve the right to change information at any time. Assured Automation makes every effort to keep all data accurate and up to date. If your application requires critical dimensions and/or specifications for any reason, please verify the information with our engineering team.*

# MPF Series

## 150# ANSI Flanged, Carbon Steel, Full-port, 3-way Ball Valves

### Specifications: KMPF150CFEF8S1C3AYF

#### Valve: KMPF150CFEN

Connection Size	4"
Connection Type	150# ANSI Flange
Body Style	Multiport
Body Material	Carbon steel (ASTM A216 WCB)
Seat Material	TFM
Body Seal Material	Graphite
Ball Material	Stainless steel (ASTM A351 CF8M)
Stem Material	Stainless steel (ASTM A351 CF8M)
Stem Packing	TFM
Thrust Washer	50% SS/50% PTFE
Port Style	Full Port (T drilling)
Max. Press. (psi)	275
Max. Temp. (F)	475
ISO 5211 (small)	F12
ISO 5211 (big)	-
Cv	400 w/ 90 deg flow, 1650 w/ straight flow
Stem Type	Double-D
Stem Width (mm)	0.906
Stem Dia.(mm)	1.34
Weight (lbs.)	129
Valve Information	<a href="#">MPF Series Info Page</a>
Buy Valve Now	<a href="#">MPF Series Configurator</a>
Buy Valve Parts	<a href="#">MPF Series Parts</a>

#### Actuator: ELFSA950\_4

Air Start Torq. (lbf.in.)	6067
Air End Torq. (lbf.in.)	3808
Spring Start Torq. (lbf.in.)	5311
Spring End Torq. (lbf.in.)	3346
Num of Springs	4
Air Vol. Out Stroke (in3)	1854
Air Vol. In Stroke (in3)	n/a
Seal Repair Kit	RKB-950
Fail to	Fail to Pos. 1
ISO 5211 (small)	F10
ISO Small bolt circle dia.	4.016
ISO Small bolt holes	3/8"-16 x 0.59"
ISO 5211 (big)	F14
ISO Big bolt circle dia.	5.512
ISO Big bolt holes	5/8"-11 x 0.94"
Weight (lbs.)	79
Body Material	Chromated aluminum with dual component polyurethane coating
Seal Material	BUNA
Air Ports	1/4" NPT Female
NAMUR Top pattern	1/4"
Actuator Information	<a href="#">F Series Info Page</a>
Buy Actuator Now	<a href="#">F Series Configurator</a>
Buy Actuator Parts	<a href="#">F Series Parts</a>

# MPF Series

## 150# ANSI Flanged, Carbon Steel, Full-port, 3-way Ball Valves

### Specifications: KMPF150CFEF8S1C3AYF

#### Solenoid Valve: C3A

Part Number	C3A
Type	3/4 way, 2 position
Voltage	120 VAC
Conn. to Actuator	1/4 inch NAMUR
Supply Air Conn.	1/4 inch NPT
Exhaust Port	Brass screw-in bug vent with fine mesh media
Electrical Conn.	Mini DIN with Cord Grip Cable Gland PG9
NEMA Rating	NEMA 4/4X (Weatherproof)
Power	11.7 Watts
Cv	0.75
Weight (lbs.)	0.7
Manual Override	Yes (guarded push to operate)
Solenoid Information	<a href="#">Solenoid Information Page</a>
Buy Solenoid Now	<a href="#">Solenoid Configurator</a>

#### Limit Switch: YF

Electrical Protection	NEMA 4, 4X
Number of Switches	2
Switch Type	SPDT Mechanical
Switch Rating	16 A @ 125/250 VAC
Switch Actuation	Color Coded Adjustable Cams
Body Type	Epoxy-polyester coated body with clear polycarbonate dome
Mounting	SS Bracket mount to NAMUR top
Electrical Connection	1/2 inch NPT conduit entry to screw terminal strip
Visual Indicator	Rotating puck with labeled red (Close) and yellow(Open) sections under clear dome
Temperature Range	40° F to 212° F
Limit Switch Information	<a href="#">Limit Switch Information Page</a>
Buy Limit Switch Now	<a href="#">Limit Switch Buy Page</a>