



# SM Series

## Compact Motorized On/Off Ball Valves



The SM series motorized brass ball valves are ideal for HVAC and industrial on/off applications. The quarter turn ball valve features a unique direct mount system that allows for extremely quick and easy actuator mounting allowing for easy removal or replacement of the compact electric actuator.

### FEATURES

- Simple, 1 clip-pin actuator mounting system offers outstanding stability and eliminates the cost, weight, and installation time required by other valve/actuator mounting systems that require brackets and multiple fasteners
- Pre-wired with a cable lead eliminates the need for opening the actuator and wiring in the field
- Manual override for emergency operation requires no special tools. Use a screwdriver to switch to manual operation and use a wrench to rotate the position indicator. All valves can be manually operated with a large screwdriver if the actuator is removed
- Two internal limit switches (0° and 90°) to indicate fully open and fully closed position
- 100% testing to ensure quality of all valve assemblies
- Visual position indicator
- One size actuator fits all valve sizes which simplifies and reduces inventory
- Rugged gearbox construction for extended service life

### MATERIALS

**Body:** Ni Plated or Lead Free Brass

**Ball & Stem:** Stainless Steel

**Seats & Seals:** PTFE

[see page 2 for complete material details](#)

### SPECIFICATIONS

**Duty Cycle:** 50%

**Rotation:** 90°

**Limit Switch:** 2 SPDT dry contact switches

**Heater:** Available as special order - *consult factory*

**Electrical Connection:** 24" cable

**Speed (On/Off):**  
 DC models: 4 sec. to 10 sec. (varies with size and line pressure)  
 AC models: 60 sec.

### END CONNECTIONS

**NPT Threaded (female):** 1/2" to 2"

### PRESSURE RATING

**Body:** 600 psi (41.36 bar) non-shock cold working pressure

**Close-off:** 360 PSI (24.82 bar) non-shock cold working pressure

**Max. ΔP:** 50 psi (3.45 bar) for typical applications

[see Pressure/Temperature Curve](#)

### TEMPERATURE RANGE

**Valve:**  
 -4°F to 266°F (-20°C to 130°C)

**Actuator:**  
 -4°F to 158°F (-20°C to 70°C)

[see Pressure/Temperature Curve](#)

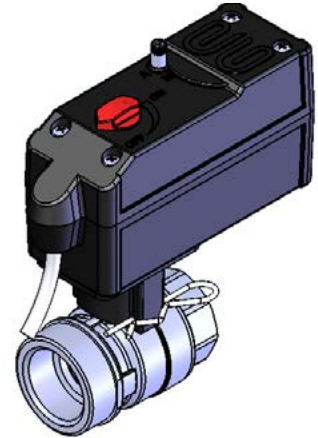
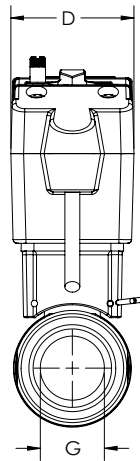
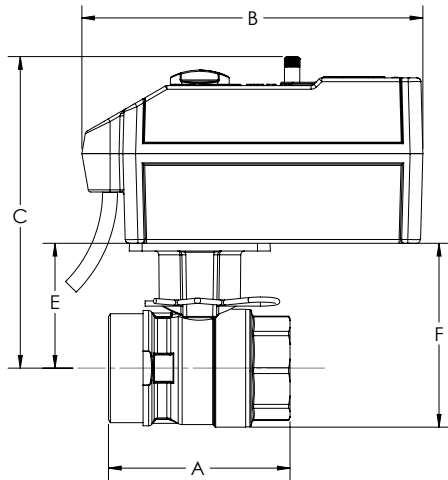


## SM Series



## Compact Motorized On/Off Ball Valves

### DIMENSIONS



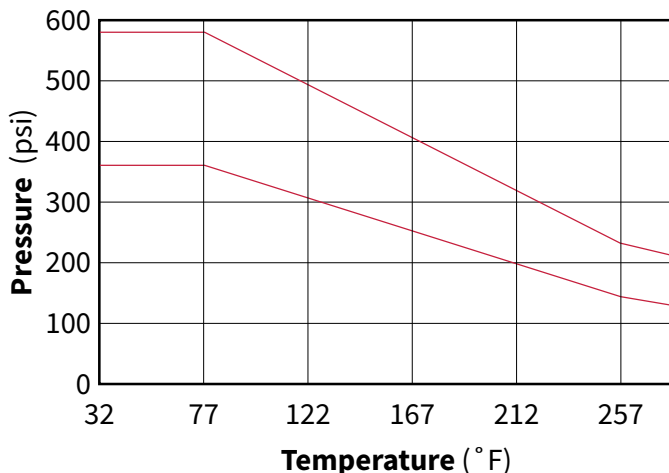
Dimensions in inches

Line Size	A	B	C	D	E	F	ØG Port	C <sub>v</sub> (gpm)	Weight (lbs.)	Model No.
1/2"	2.169	5.24	4.48	1.89	1.38	2.25	0.591	19.7	2	CSMN*CE◇
3/4"	2.30	5.24	4.63	1.89	1.76	2.50	0.787	47.4	2.2	DSMN*CE◇
1"	2.79	5.24	4.78	1.89	1.92	2.82	0.984	80.9	2.7	ESMN*CE◇
1 1/4"	3.22	5.24	4.98	1.9	2.11	3.25	1.260	139.9	3.1	FSMN*CE◇
1 1/2"	3.54	5.24	4.98	1.89	2.11	3.25	1.240	139.9	4.5	GSMN*CE◇
2"	4.11	5.24	5.27	1.89	2.40	3.78	1.550	231.2	6.7	HSMN*CE◇

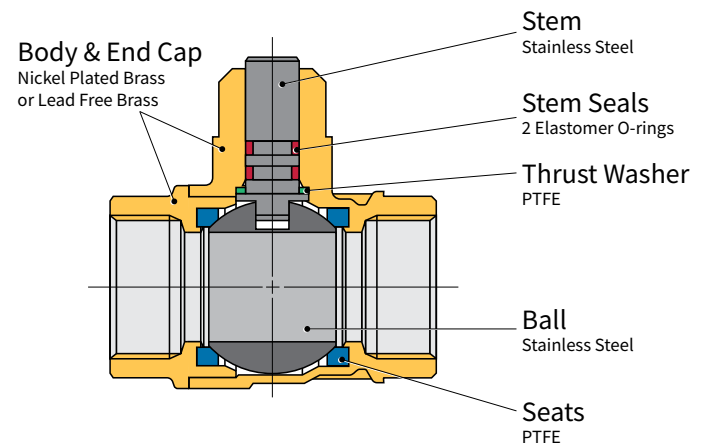
\* = valve body material: omit = Nickel Plated Brass, **LF** = Lead Free Brass

◇ = voltage: **B** = 24vDC, **E** = 24vAC, **F** = 12vDC

### PRESSURE/TEMPERATURE CURVE



### MATERIALS OF CONSTRUCTION





## SM Series



## Compact Motorized On/Off Ball Valves

### ORDERING INFORMATION

C	N	LF	CEB
Size	Connection Type	Seat Material	Actuator

Size: \_\_\_\_\_

- C** = 1/2"
- D** = 3/4"
- E** = 1"
- G** = 1 1/2"
- H** = 2"

Connection Type: \_\_\_\_\_

- N** = NPT female threaded

Valve Body Material: \_\_\_\_\_

- (omit)* = Nickel Plated Brass
- LF** = Lead Free Brass

Actuator Voltage: \_\_\_\_\_

- CEB** = 24VDC
- CEE** = 24VAC
- CEF** = 12VDC

**Make it Easy!**  
Try Our **Online Configurator** at:  
[assuredautomation.com](http://assuredautomation.com)  
With **Instant Pricing** and you can **Buy Now**

