

SAVE THESE INSTRUCTIONS

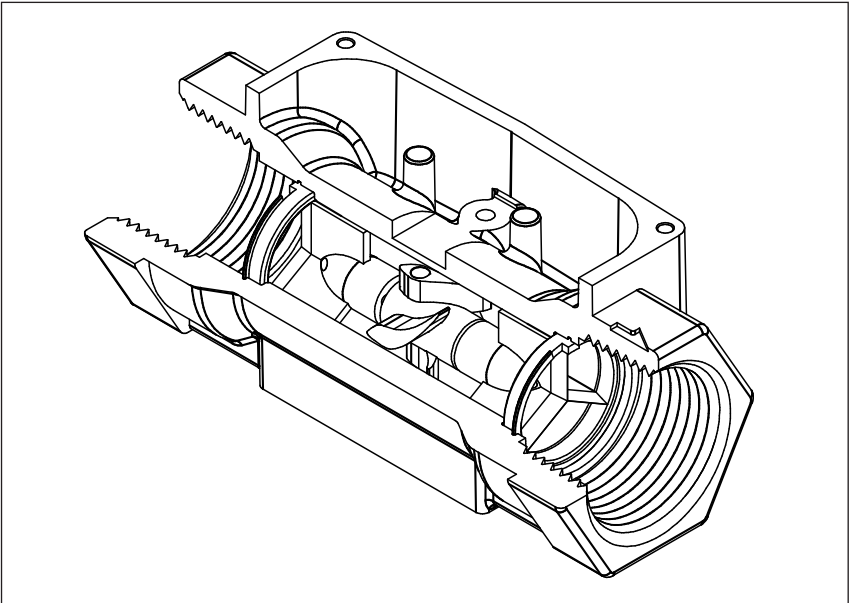


## G2 Industrial Grade **Turbine Housing**

---

### Owner's Manual

Includes Aluminum and Stainless Steel Housings,  
ANSI Flange Fittings, and Tri-Clover® Flange Fittings



## To the owner...

Congratulations on receiving your FLOMEC® Industrial Grade Turbine. We are pleased to provide you with a product designed to give you maximum reliability and efficiency.

Our business is the design, manufacture, and marketing of liquid handling, agricultural, and recreational products. We succeed because we provide customers with innovative, reliable, safe, timely, and competitively-priced products. We pride ourselves in conducting our business with integrity and professionalism.

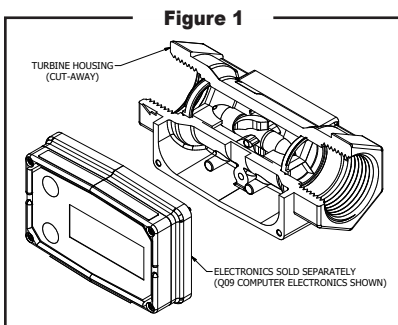
We are proud to provide you with a quality product and the support you need to obtain years of safe, dependable service.



Victor Lukic, President  
Great Plains Industries, Inc.

## GENERAL INFORMATION

This manual will assist you in installing and maintaining your FLOMEC Industrial Grade turbine housing. (See Figure 1) Information on electronics (Q9, QSI, and QSB) are contained in other manuals. Please reference those as necessary.



## TABLE OF CONTENTS

General Information .....	2
Installation .....	4
Operation.....	6
Maintenance.....	6
Troubleshooting.....	8
Model Number Chart.....	9
Specifications .....	10
Aluminum .....	10
Stainless Steel.....	12
ANSI Flange Fittings.....	14
Tri-Clover® Flange Fittings.....	16
Illustrated Parts Drawings .....	18
Service .....	21
Agency Approvals Table.....	22

For best results, take the time to fully acquaint yourself with all information about all components of your FLOMEC Electronic Digital Metering System prior to installation and use. If you need assistance, contact the distributor from whom you purchased your turbine.



This symbol is used throughout the manual to call your attention to safety messages.



**Warnings** alert you to the potential for personal injury.



**Cautions** call your attention to practices or procedures which may damage your equipment.

**Notes** give information that can improve efficiency of operations.

It is your responsibility to make sure that all operators have access to adequate instructions about safe operating and maintenance procedures.

## Read Me!

For your safety, review the major warnings and cautions below before operating your equipment.

### WARNING

The apparatus enclosure may contain aluminum and is considered to constitute a potential risk of ignition by impact or friction. Care must be taken into account during installation and use to prevent impact or friction.

### WARNING

Part of the enclosure is constructed from plastic. To prevent the risk of electrostatic sparking the plastic surface should only be cleaned with a damp cloth.

1. Use **only fluids** that are compatible with the housing material and wetted components of your turbine.
2. When measuring flammable liquids, observe precautions against fire or explosion.
3. When handling hazardous liquids, always follow the liquid manufacturer's safety precautions.
4. When working in hazardous environments, always exercise appropriate safety precautions.
5. Always dispose of used cleaning solvents in a safe manner according to the solvent manufacturer's instructions.
6. During turbine removal, liquid may spill. Follow the liquid manufacturer's safety precautions for clean up of minor spills.
7. Do not blow compressed air through the turbine.
8. Do not allow liquids to dry inside the turbine.
9. Handle the rotor carefully. Even small scratches or nicks can affect

accuracy.

10. When tightening the turbine, use a wrench only on the wrench flats.
11. For best results, always verify accuracy before use.

## Product Description

FLOMEC Industrial Meter Turbines are identified by the internal diameter of the inlet and outlet.

Model 05 – 1/2 inch  
Model 07 – 3/4 inch  
Model 10 – 1 inch  
Model 15 – 1-1/2 inch  
Model 20 – 2 inch

Each turbine is designed to work with onboard computer electronics and/or with one of several accessory output modules.

Liquid flows through the turbine housing causing an internal rotor to spin. As the rotor spins, an electrical signal is generated in the pickup coil. This signal is converted into engineering units (gallons, litres, etc.) on the local display. Accessory modules can be used to export the signal to other equipment.

Upon receipt, examine your meter for visible damage. The turbine is a precision measuring instrument and should be handled as such. Remove the protective plugs and caps for a thorough inspection. If any items are damaged or missing, contact your distributor.

Make sure the turbine model meets your specific needs. Refer to the Specifications Section and confirm the following:

1. The flowrate is within the limits of your model.
2. The liquid is compatible with the turbine's wetted components.
3. The system's pressure does not exceed the turbine's maximum

pressure rating.

Information specific to your particular turbine, including serial number, model number, manufacturing date, and K-factor is etched on the meter. Be prepared to provide this information if you call customer service.

**SN = Serial Number**, a 6-digit number that identifies this particular turbine.

**MODEL = Model Number** begins with a letter indicating the housing material.

- A for Aluminum
- H for Stainless Steel High Pressure
- S for Stainless Steel

Two digits follow the material code indicating the size.

- 05 – 1/2 inch
- 07 – 3/4 inch
- 10 – 1 inch
- 15 – 1-1/2 inch
- 20 – 2 inch

The final letter indicates the type of thread.

- F for Flange
- N for NPT
- I for ISO
- T for Tri-Clover® Flange

**MFG DATE = Manufacturing Date** indicating the week and year of manufacture.

**KF = K-Factor** given in pulses per gallon (PPG).

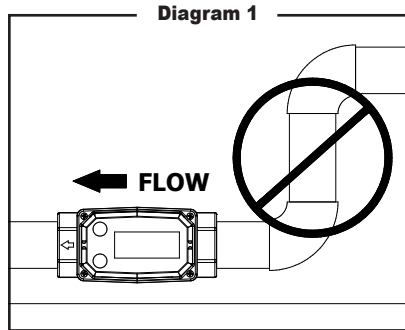
## INSTALLATION

For your future reference, it might be useful to record this information in the manual in case it becomes unreadable on the turbine.

All FLOMEC® turbines are designed to measure flow in only one direction. The direction is indicated by the arrow,

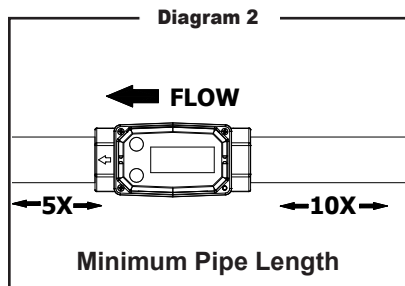
cast-molded in the turbine.

Flow altering devices such as elbows, valves, and reducers can affect accuracy. See Diagram 2. The following recommended guidelines are given to enhance accuracy and maximize performance. Distances given here are minimum requirements; double them for desired straight pipe lengths.



Upstream from the turbine, allow a minimum straight pipe length at least 10 times the internal diameter of the turbine. For example, with the 1 inch turbine, there should be 10 inches (25.4 cm) of straight pipe immediately upstream. The desired upstream straight pipe length is 20 inches (50.8 cm).

Downstream from the turbine, allow a minimum straight pipe length at least 5 times the internal diameter of your turbine. For example, with the 1 inch turbine, there should be 5 inches (12.7 cm) of straight pipe immediately downstream. The desired downstream distance is 10 inches (25.4 cm). See Diagram 2.



A typical back pressure of 5 to 50 PSI (0.34 to 3.4 bar) will prevent cavitation. Create back pressure by installing a control valve on the downstream side of the meter at the proper distance detailed above.

Foreign material in the liquid being measured can clog the turbine's rotor and adversely affect accuracy. If this problem is anticipated or experienced, install screens to filter impurities from incoming liquids.

#### **Models 1/2 in., 3/4 in. and 1 in.:**

Maximum Particulate Size	
Inches:	0.005
Microns:	125
Mesh:	120
Standard Sieve:	125 µm
Alternative Sieve:	No. 120

#### **Models 1-1/2 in. and 2 in.:**

Maximum Particulate Size	
Inches:	0.018
Microns:	500
Mesh:	35
Standard Sieve:	500 µm
Alternative Sieve:	No. 35

To ensure accurate measurement, remove all air from the system before use.

Each turbine contains a removable back coverplate. Leave the coverplate installed unless accessory modules specify removal.

## **Threaded Connections**

1. To protect against leakage, seal all threads with an appropriate sealing compound. Make sure the sealing compound does not intrude into the flow path.
2. Make sure the arrow on the outlet is pointed in the direction of the flow.
3. Tighten the turbine onto the fittings. Use a wrench only on wrench flats.

**Note:** If connecting to new male threads, burrs and curls can adversely effect accuracy. Correct the problem prior to turbine installation.

Verify accuracy after connections are complete. See Operation section.

## **ANSI Flange Connection**

Use a gasket between the meter flange and mating flange. Determine the material of the gasket based on the operating conditions and type of fluid.

**Note:** Do not over tighten the flange bolts. This may cause the gasket to be compressed into the flow stream and may decrease the accuracy of the meter. See ANSI flange specification section for flange installation diagram.

## **Tri-Clover® Flange Connection**

1. Make sure the arrow on the outlet is pointed in the direction of the flow.
2. Insert a gasket between the meter fitting and the mating fitting. Determine the gasket material based on the operating conditions and the type of fluid used.
3. Fasten with the appropriate clamp. Tighten clamp to manufacturer's specifications.

Verify accuracy after connections are complete. See Operation section.

## OPERATION

### Verify Accuracy

Before use, check the turbine's accuracy and verify calibration.

1. Make sure there is no air in the system.
2. Measure an exact known volume into an accurate container.
3. Verify the volume against the readout or recording equipment.

**Note:** If necessary, use a correction factor to figure final volume.

For best results, accuracy should be verified periodically as part of a routine maintenance schedule.

## MAINTENANCE

### Remove the Turbine

#### ⚠ WARNING

During turbine removal, liquid may spill. Follow the liquid manufacturer's safety precautions for clean up of minor spills.

1. Drain all liquid from the turbine. Wear protective clothing as necessary.
2. Disconnect both ends of the turbine. For threaded connections loosen both ends of the turbine, using a wrench only on the turbine's wrench flats.
3. If the turbine is not immediately installed again, cap lines as necessary.

### Clean the Turbine

During use, the turbine should be kept full of liquid to ensure that drying does not occur inside the turbine. If drying or caking should occur, the rotor will stick or drag, affecting accuracy. To determine if the rotor is stuck or dragging, gently blow air through the meter and listen for the quiet whir of the rotor.

#### ⚠ CAUTION

Never blow compressed air through the meter. It could damage the rotor.

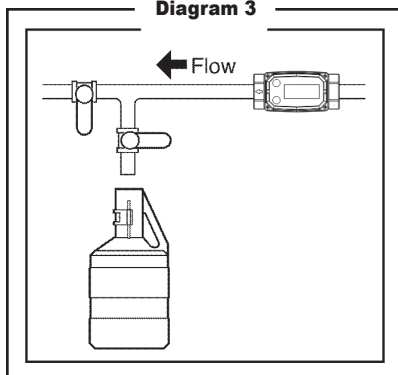
1. Remove the turbine from the system following the directions below.
2. Carefully clean residue off all parts. Remove internal parts as detailed above. Note orientation carefully for correct assembly. Internal parts can be soaked for 10 to 15 minutes in compatible cleaning solutions. Use a soft brush or small probe to *carefully* remove residue from the rotor.

#### ⚠ WARNING

Follow the liquid manufacturer's instructions for the disposal of contaminated cleaning solvents.

3. When the rotor turns freely, assemble and install it again following the instructions above.
4. Check accuracy after cleaning. See Diagram 4 for example of bucket test method.

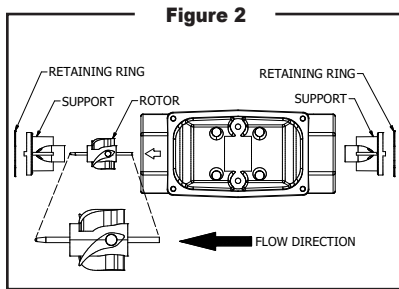
Diagram 3



## Replace Internal Parts

1. Remove the turbine from the system as detailed above.

**Note:** Carefully notice the orientation of all internal parts as they are removed, especially the orientation of the rotor to the flow direction arrow. See Diagram 4.



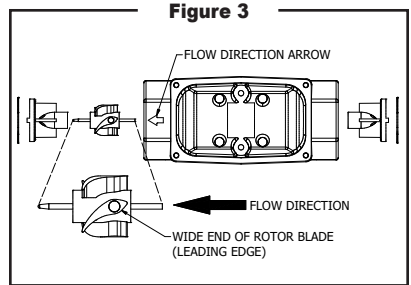
2. Using a small tool such as a screwdriver or awl, gently pry one retaining ring from its groove. Remove the support. If necessary, use needle nose pliers. Little or no force should be required.
3. Carefully remove the rotor.

### **CAUTION**

**Handle the rotor carefully. Even small scratches or nicks can affect accuracy.**

4. Turn the turbine over and remove the other retaining ring. Remove the other support.
5. Clean, as detailed below, or discard as necessary.
6. Replace one support and retaining ring. Parts should drop easily into place with little or no force.

7. Install the rotor. Make sure the wide end of the rotor's blades faces the flow direction. See Diagram 5.



8. Turn the turbine over and drop the second support into place. Put the final retaining ring into position.
9. Reinstall the turbine, purge the system of air, and verify accuracy before use.

## TROUBLESHOOTING

Symptom	Probable Cause	Solution
Measurement is not accurate	1. Turbine operated below minimum rate.	Increase flowrate. See Specifications
	2. Turbine partially clogged with dried liquid.	Remove turbine. Clean carefully. Make sure rotor spins freely
	3. Turbine bearings partially clogged with dried liquid	Remove turbine. Clean carefully. Make sure rotor spins freely
	4. Sealant wrapped around rotor	Remove turbine. Clear material from rotor. Make sure rotor spins freely
	5. Installed too close to fittings	Install Correctly. See Installation section
	6. Improper connections to recording device	Check all electrical connections. Reference appropriate installation instructions
	7. Accuracy needs verification	Complete normal accuracy verification procedures. Repeat periodically



## MODEL NUMBER CHART - THREADED HOUSINGS

Normal Range GPM Water	Normal Range LPM Water	Inlet / Outlet Size NPT	Aluminum Model No.	Stainless Steel Model No.	Stainless Steel High Pressure Model No.
1 - 10	3.8 - 37.9	1/2 in.	A05	S05	H05
2 - 20	7.6 - 75.7	3/4 in.	A07	S07	H07
5 - 50	18.9 - 190	1 in.	A10	S10	H10
10 - 100	38 - 380	1-1/2 in.	A15	S15	H15
20 - 200	76 - 760	2 in.	A20	S20	H20

## MODEL NUMBER CHART - FLANGED HOUSINGS

Normal Range GPM Water	Normal Range LPM Water	Inlet / Outlet Size NPT	Stainless Steel ANSI Flange Model No.	Stainless Steel Tri-Clover Model No.
1 - 10	3.8 - 37.9	1/2 in.	--	S05T
2 - 20	7.6 - 75.7	3/4 in.	--	S07T
5 - 50	18.9 - 190	1 in.	S10F	S10T
10 - 100	38 - 380	1-1/2 in.	S15F	S15T
20 - 200	76 - 760	2 in.	S20F	S20T

## SPECIFICATIONS – ALUMINUM

All data on Models 1/2 inch, 3/4 inch, and 1 inch determined with 1 centipoise solvent test fluid at 70° F (21° C). Data on Models 1-1/2 inch and 2 inch is determined with water at 70° F (21° C).

Model Size	A05 1/2 in.	A07 3/4 in.	A10 1 in.	A15 1-1/2 in.	A20 2 in.
<b>Linear Flow Range</b>					
Gallons/minute (GPM)	1-10	2-20	5-50	10-100	20-200
Litres/minute (LPM)	3.8-37.9	7.6-75.7	18.9-190	38-380	76-760
<b>Maximum Flow <sup>1</sup></b>					
Gallons/minute (GPM)	15	30	75	150	300
Litres/minute (LPM)	56.8	113.6	284	568	1,136
<b>Maximum Pressure Drop</b>					
in 10:1 Range					
PSIG	8	7.5	5	4	7
bar	0.55	0.52	0.34	0.28	0.48
Frequency Range in Linear Flow Range	42-420 Hz	37-370 Hz	47-470 Hz	36-360 Hz	33-330 Hz
<b>Connections</b>					
NPT or ISO Threads	Yes	Yes	Yes	Yes	Yes
Female	Yes	Yes	Yes	Yes	Yes
Inlet/Outlet Size	1/2 in.	3/4 in.	1 in.	1-1/2 in.	2 in.
<b>Wrench Size:</b>					
Inch	1-1/16 in.	1-5/16 in.	1-5/8 in.	2-3/8 in.	3 in.
Millimeter	27 mm	33 mm	41 mm	60 mm	75 mm
<b>Weight*</b>					
Pounds	0.9 lbs.	0.9 lbs.	1.0 lbs.	2.1 lbs.	3.4 lbs.
Kilograms	0.4 kg	0.4 kg	0.5 kg	1.0 kg	1.5 kg

\* Computer electronics add 0.2 lbs. (0.1kg) to total weight.

<sup>1</sup> The meter can operate up to this flowrate without damage. Continuous operation will severely degrade meter life and performance.

### Performance

Linear Range for 1/2 in.:	10:1 @ ±2.0% of reading
Linear Range for 3/4 in. and 1 in.:	10:1 @ ±1.5% of reading
Linear Range for 1-1/2 in. and 2 in.:	10:1 @ ±1.0% of reading
Repeatability:	±0.1%

### Pressure Rating

300 PSIG (21 bar)

### Wetted Components

Housing:	Aluminum
Journal Bearings:	Ceramic (96% Alumina)
Shaft:	Tungsten Carbide
Rotor and Supports:	PVDF
Retaining Rings:	316 Stainless Steel

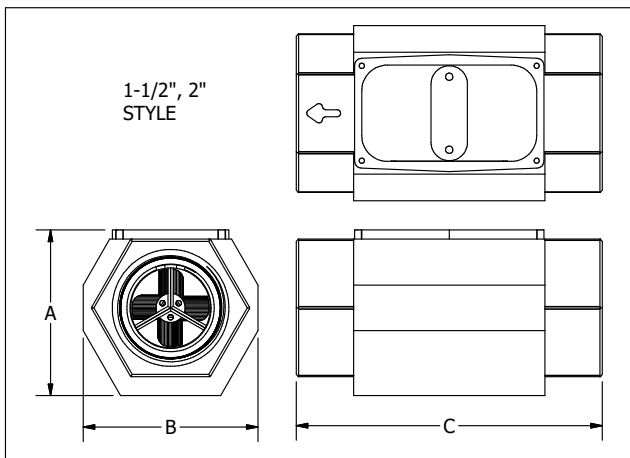
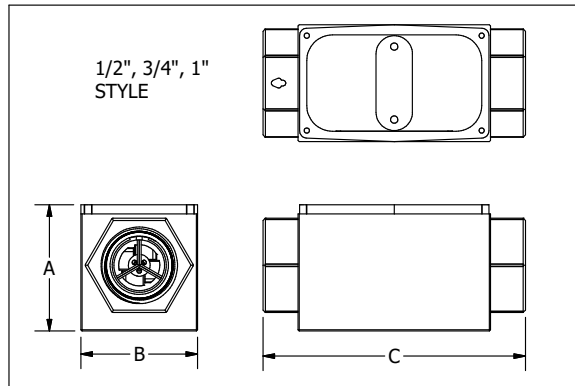
### Temperature Range

-40° F to +250° F (-40° C to +121° C)

These temperatures apply to operations and storage. They are only for the turbine without computer electronics. Final operational temperature range is determined by computer electronics or accessory modules.

## Dimensions

Model Size	A05 1/2 in.	A07 3/4 in.	A10 1 in.	A15 1-1/2 in.	2A20 in.
<b>A = Height:</b>					
Inches	1.8 in.	2.0 in.	2.2 in.	2.8 in.	3.2 in.
Centimeters	4.6 cm	5.1 cm	5.6 cm	7.1 cm	8.2 cm
<b>B = Width</b>					
Inches	2.0 in.	2.0 in.	2.0 in.	2.7 in.	3.3 in.
Centimeters	5.1 cm	5.1 cm	5.1 cm	6.9 cm	8.4 cm
<b>C = Length</b>					
Inches	4.2 in.	4.3 in.	4.5 in.	5.3 in.	6.3 in.
Centimeters	10.7 cm	10.9 cm	11.4 cm	13.5 cm	16.0 cm
Computer electronics add 0.7 in. (1.8 cm) to height of turbine					



## SPECIFICATIONS – STAINLESS STEEL (INCLUDE HIGH PRESSURE)

All data on Models 1/2 inch, 3/4 inch, and 1 inch determined with 1 centipoise solvent test fluid at 70° F (21° C). Data on Models 1-1/2 inch and 2 inch is determined with water at 70° F (21° C).

Model-SS Standard Model-SS High Pressure Size	S05 H05** 1/2 in.	S07 H07** 3/4 in.	S10 H10** 1 in.	S15 H15** 1-1/2 in.	S20 H20** 2 in.
<b>Linear Flow Range</b>					
Gallons/minute (GPM)	1-10	2-20	5-50	10-100	20-200
Litres/minute (LPM)	3.8-37.9	7.6-75.7	18.9-190	38-380	76-760
<b>Maximum Flow <sup>1</sup></b>					
Gallons/minute (GPM)	15	30	75	150	300
Litres/minute (LPM)	56.8	113.6	284	568	1,136
<b>Maximum Pressure Drop</b>					
in 10:1 Range					
PSIG	8	6	10	4	7
bar	0.55	0.41	0.69	0.28	0.48
Frequency Range in Linear Flow Range	42-420 Hz	37-370 Hz	47-470 Hz	36-360 Hz	33-330 Hz
<b>Connections</b>					
NPT or ISO Threads	Yes	Yes	Yes	Yes	Yes
Female	Yes	Yes	Yes	Yes	Yes
Inlet/Outlet Size	1/2 in.	3/4 in.	1 in.	1-1/2 in.	2 in.
<b>Wrench Size:</b>					
Inch	1-1/16 in.	1-5/16 in.	1-5/8 in.	2-3/8 in.	3 in.
Millimeter	27 mm	33 mm	41 mm	60 mm	75 mm
<b>Weight*</b>					
Pounds	1.0 lbs.	1.2 lbs.	1.7 lbs.	3.3 lbs.	6.1 lbs.
Kilograms	0.5 kg	0.5 kg	0.8 kg	1.5 kg	2.8 kg

\* Computer electronics add 0.2 lbs. (0.1kg) to total weight.

<sup>1</sup> The meter can operate up to this flowrate without damage. Continuous operation will severely degrade meter life and performance.

### Performance

Linear Range for 1/2 in.:	10:1 @ ±2.0% of reading
Linear Range for 3/4 in. and 1 in.:	10:1 @ ±1.5% of reading
Linear Range for 1-1/2 in. and 2 in.:	10:1 @ ±1.0% of reading
Repeatability:	±0.1%

### Pressure Rating

Standard Stainless Steel Meter:	1,500 PSIG (102 bar)
**High Pressure Stainless Steel Meter:	3,000 PSIG (207 bar)

### Wetted Components

Housing:	316 Stainless Steel
Journal Bearings:	Ceramic (96% Alumina)
Shaft:	Tungsten Carbide
Rotor and Supports:	PVDF
Retaining Rings:	316 Stainless Steel

### Temperature Range

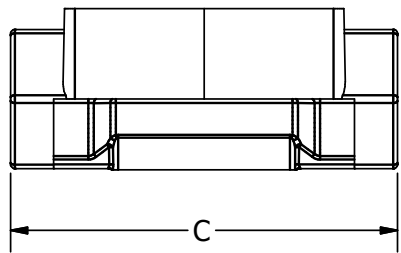
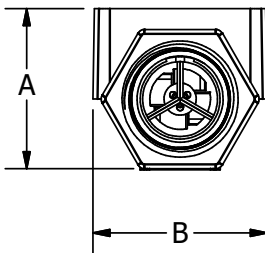
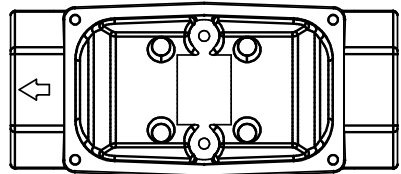
-40° F to +250° F (-40° C to +121° C)

These temperatures apply to operations and storage. They are only for the turbine without computer electronics. Final operational temperature range is determined

12 by computer electronics or accessory modules.

## Dimensions

Model-SS Standard Model-SS High Pressure Size	S05 H05** 1/2 in.	S07 H07** 3/4 in.	S10 H10** 1 in.	S15 H15** 1-1/2 in.	S20 H20** 2 in.
<b>A = Height:</b>					
Inches	1.4 in.	1.6 in.	1.9 in.	2.6 in.	3.1 in.
Centimeters	3.6 cm	4.1 cm	4.8 cm	6.6 cm	7.9 cm
<b>B = Width</b>					
Inches	2.0 in.	2.0 in.	2.0 in.	2.7 in.	3.4 in.
Centimeters	5.1 cm	5.1 cm	5.1 cm	6.9 cm	8.6 cm
<b>C = Length</b>					
Inches	4.2 in.	4.3 in.	4.5 in.	5.3 in.	6.3 in.
Centimeters	10.7 cm	10.9 cm	11.4 cm	13.5 cm	16.0 cm
Computer electronics add 0.7 in. (1.8 cm) to height of turbine					



# SPECIFICATIONS – ANSI FLANGE FITTINGS

All data on Models 1 inch determined with 1 centipoise solvent test fluid at 70° F (21° C).  
Data on Models 1-1/2 inch and 2 inch is determined with water at 70° F (21° C).

Model Size	S10F 1 in.	S15F 1-1/2 in.	S20F 2 in.
<b>Linear Flow Range</b>			
Gallons/minute (GPM)	5-50	10-100	20-200
Litres/minute (LPM)	18.9-190	38-380	76-760
<b>Maximum Flow <sup>1</sup></b>			
Gallons/minute (GPM)	75	150	300
Litres/minute (LPM)	284	568	1,136
<b>Maximum Pressure Drop</b>			
in 10:1 Range			
PSIG	10	4	7
bar	0.69	0.28	0.48
Frequency Range in Linear Flow Range	47-470 Hz	36-360 Hz	33-330 Hz
<b>Connections</b>			
ANSI 150 lb. Flange	Yes	Yes	Yes
Bolt Size	1/2 in.	1/2 in.	5/8 in.
<b>Weight*</b>			
Pounds	5.7 lbs.	10.2 lbs.	16.7 lbs.
Kilograms	2.6 kg	4.6 kg	7.6 kg

\* Computer electronics add 0.2 lbs. (0.1kg) to total weight.

<sup>1</sup> The meter can operate up to this flowrate without damage. Continuous operation will severely degrade meter life and performance.

### Performance

Linear Range for 1 in.:	10:1 @ ±1.5% of reading
Linear Range for 1-1/2 in. and 2 in.:	10:1 @ ±1.0% of reading
Repeatability:	±0.1%

### Pressure Rating

Flange Rule

### Wetted Components

Housing:	316 Stainless Steel
Journal Bearings:	Ceramic (96% Alumina)
Shaft:	Tungsten Carbide
Rotor and Supports:	PVDF
Retaining Rings:	316 Stainless Steel

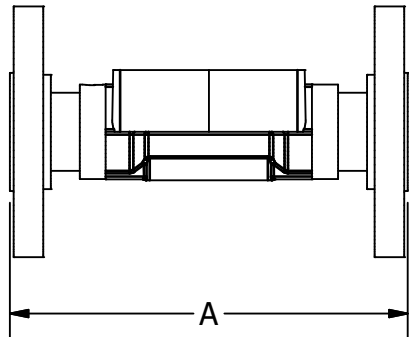
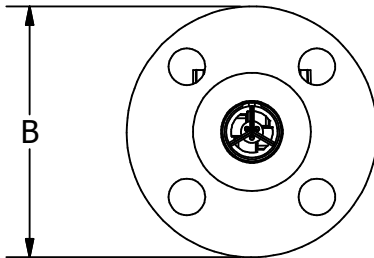
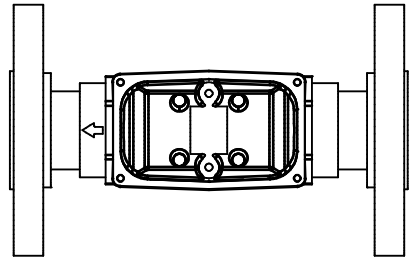
### Temperature Range

-40° F to +250° F (-40° C to +121° C)

These temperatures apply to operations and storage. They are only for the turbine without computer electronics. Final operational temperature range is determined by computer electronics or accessory modules.

## Dimensions

Model Size	S10F 1 in.	S15F 1-1/2 in.	S20F 2 in.
<b>A = Height:</b>			
Inches	6.75 in.	8.00 in.	9.50 in.
Centimeters	17.14 cm	20.32 cm	24.13 cm
<b>B = Width</b>			
Inches	4.25 in.	5.00 in.	6.00 in.
Centimeters	10.80 cm	12.71 cm	15.24 cm



# SPECIFICATIONS – TRI-CLOVER® FLANGE FITTINGS

All data on Models 1/2 inch, 3/4 inch, and 1 inch determined with 1 centipoise solvent test fluid at 70° F (21° C). Data on Models 1-1/2 inch and 2 inch is determined with water at 70° F (21° C). Size refers to the size of the turbine, not the body ferrule. Refer to dimension chart for detail sizes.

Model Size	S05T 1/2 in.	S07T 3/4 in.	S10T 1 in.	S15T 1-1/2 in.	S20T 2 in.
<b>Linear Flow Range</b>					
Gallons/minute (GPM)	1-10	2-20	5-50	10-100	20-200
Litres/minute (LPM)	3.8-37.9	7.6-75.7	18.9-190	38-380	76-760
<b>Maximum Flow <sup>1</sup></b>					
Gallons/minute (GPM)	15	30	75	150	300
Litres/minute (LPM)	56.8	113.6	284	568	1,136
<b>Maximum Pressure Drop</b>					
in 10:1 Range					
PSIG	8	7.5	5	4	4
bar	0.55	0.52	0.34	0.28	0.28
Frequency Range in Linear Flow Range	45-450 Hz	37-370 Hz	45-475 Hz	35-350 Hz	33-330 Hz
<b>Connections</b>					
Inlet/Outlet Size	1/2 in.	3/4 in.	1 in.	1-1/2 in.	2 in.
Fitting Clamp Size	3/4 in.	1 in.	1-1/2 in.	2 in.	2-1/2 in.
<b>Weight*</b>					
Pounds	1.1 lbs.	1.6 lbs.	2.1 lbs.	3.9 lbs.	5.7 lbs.
Kilograms	0.5 kg	0.7 kg	1.0 kg	1.8 kg	2.6 kg

\* Computer electronics add 0.2 lbs. (0.1kg) to total weight.

<sup>1</sup> The meter can operate up to this flowrate without damage. Continuous operation will severely degrade meter life and performance.

### Performance

Linear Range for 1/2 in.:	10:1 @ ±2.0% of reading
Linear Range for 3/4 in. and 1 in.:	10:1 @ ±1.5% of reading
Linear Range for 1-1/2 in. and 2 in.:	10:1 @ ±1.0% of reading
Repeatability:	±0.1%

### Pressure Rating

450 PSIG (31 bar) @ 70° F  
with Type 1 Buna-N Gasket

### Wetted Components

Housing:	316 Stainless Steel
Journal Bearings:	Ceramic (96% Alumina)
Shaft:	Tungsten Carbide
Rotor and Supports:	PVDF
Retaining Rings:	316 Stainless Steel

### Temperature Range

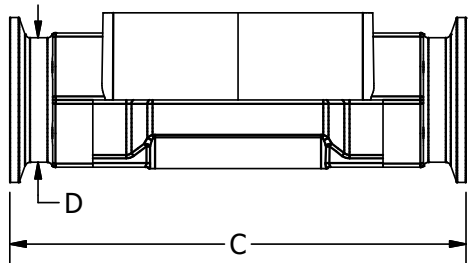
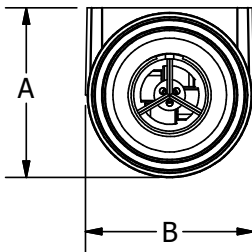
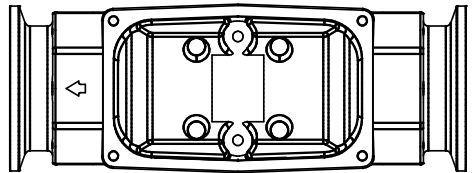
-40° F to +250° F (-40° C to +121° C)

These temperatures apply to operations and storage. They are only for the turbine without computer electronics. Final operational temperature range is determined by computer electronics or accessory modules.



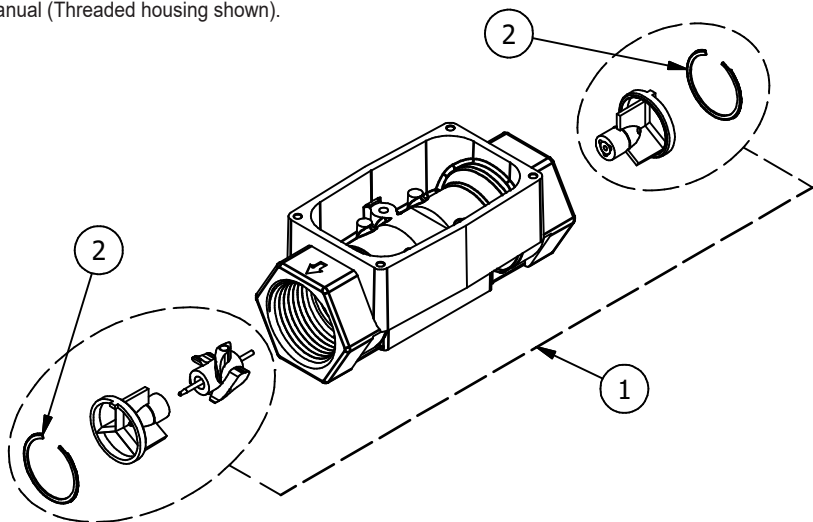
## Dimensions

Model Size	S05T 1/2 in.	S07T 3/4 in.	S10T 1 in.	S15T 1-1/2 in.	S20T 2 in.
<b>A = Height:</b>					
Inches	1.4 in.	2.0 in.	2.0 in.	2.6 in.	3.1 in.
Centimeters	3.6 cm	5.1 cm	5.1 cm	6.6 cm	7.9 cm
<b>B = Width</b>					
Inches	2.0 in.	2.0 in.	2.0 in.	2.7 in.	3.4 in.
Centimeters	5.1 cm	5.1 cm	5.1 cm	6.9 cm	8.6 cm
<b>C = Length</b>					
Inches	5.0 in.	5.0 in.	5.5 in.	6.5 in.	7.0 in.
Centimeters	12.71 cm	12.71 cm	13.97 cm	16.51 cm	17.78 cm
<b>D = Outside Dia. - Ferrule</b>					
Inches	.75 in.	1.00 in.	1.50 in.	2.00 in.	2.50 in.
Centimeters	1.90 cm	2.54 cm	3.81 cm	5.08 cm	6.35 cm
<b>Fitting / Clamp Size</b>	3/4 in.	1 in.	1-1/2 in.	2 in.	2-1/2 in.
Computer electronics add 0.7 in. (1.8 cm) to height of turbine					



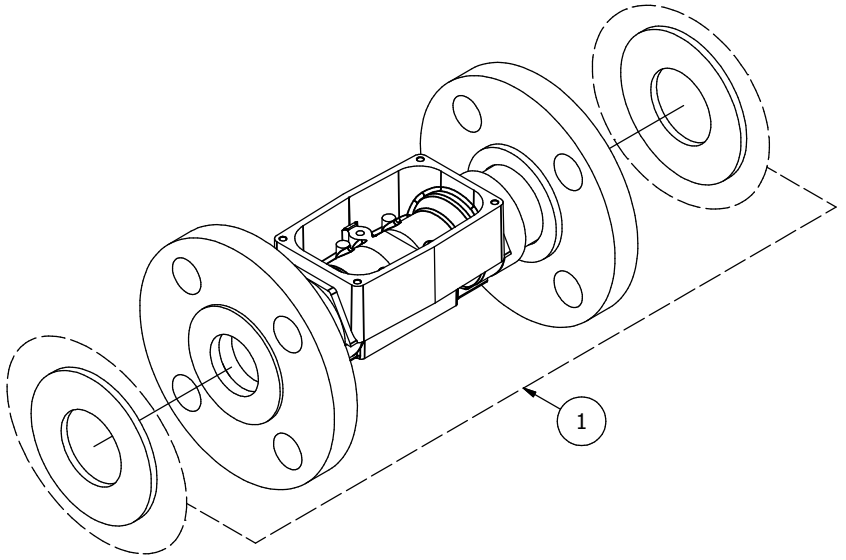
## ILLUSTRATED INTERNAL PARTS DRAWING

Internal parts shown below are used in all G2 industrial Grade turbine housings covered by this manual (Threaded housing shown).



Item No.	Part No.	Description	No. Reqd.
1	125500-1	"05" 1/2-inch Rotor/Support Replacement Kit (includes rotor assembly, support assembly & retaining rings)	1
	125500-2	"07" 3/4-inch Rotor/Support Replacement Kit (includes rotor assembly, support assembly & retaining rings)	1
	125500-3	"10" 1-inch Rotor/Support Replacement Kit (includes rotor assembly, support assembly & retaining rings)	1
	125500-4	"15" 1-1/2-inch Rotor/Support Replacement Kit (includes rotor assembly, support assembly & retaining rings)	1
	125500-5	"20" 2-inch Rotor/Support Replacement Kit (includes rotor assembly, support assembly & retaining rings)	1
2	904005-20	"05" 1/2-inch Retaining Ring	2
	904005-20	"07" 3/4-inch Retaining Ring	2
	904005-20	"10" 1-inch Retaining Ring	2
	904005-20	"15" 1-1/2-inch Retaining Ring	2
	904005-20	"20" 2-inch Retaining Ring	2

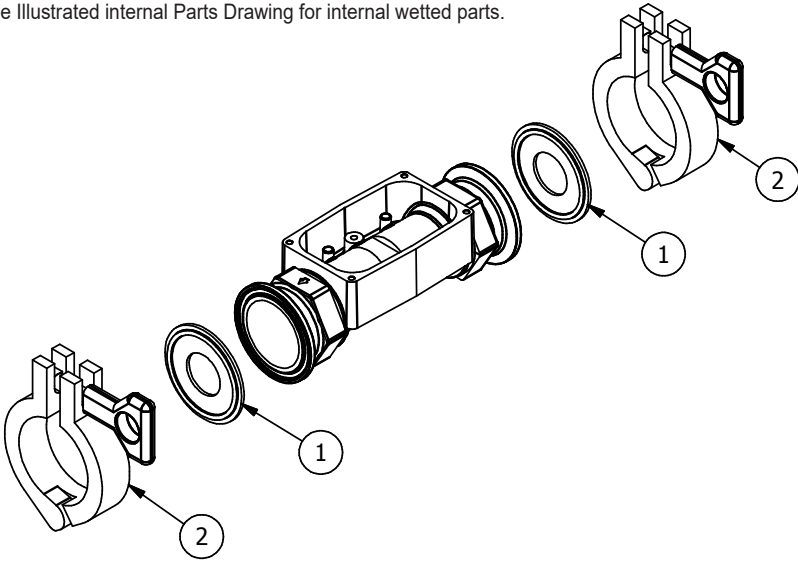
## ILLUSTRATED PARTS DRAWING (ANSI FLANGE)



Item No.	Part No.	Description	No. Reqd.
1	125505-01	Flange Gasket Kit - 2 Gaskets (1 in. Neoprene)	1
	125504-01	Flange Gasket Kit - 2 Gaskets (1 in. FKM)	1
	125505-02	Flange Gasket Kit - 2 Gaskets (1-1/2 in. Neoprene)	1
	125504-02	Flange Gasket Kit - 2 Gaskets (1-1/2 in. FKM)	1
	125505-03	Flange Gasket Kit - 2 Gaskets (2 in. Neoprene)	1
	125504-03	Flange Gasket Kit - 2 Gaskets (2 in. FKM)	1

## ILLUSTRATED PARTS DRAWING (ANSI FLANGE)

See Illustrated internal Parts Drawing for internal wetted parts.



Item No.	Part No.	Description	No. Reqd.
1	901003-35	Gasket - 3/4 inch Fluoroelastomer	2
	901003-36	Gasket - 1 inch Fluoroelastomer	2
	901003-37	Gasket - 1-1/2 inch Fluoroelastomer	2
	901003-38	Gasket - 2 inch Fluoroelastomer	2
	901003-39	Gasket - 2-1/2 inch Fluoroelastomer	2
	901003-40	Gasket - 3/4 inch Nitrile	2
	901003-41	Gasket - 1 inch Nitrile	2
	901003-42	Gasket - 1-1/2 inch Nitrile	2
	901003-43	Gasket - 2 inch Nitrile	2
	901003-44	Gasket - 2-1/2 inch Nitrile	2
2	906005-49	Clamp - 3/4 inch	2
	906005-50	Clamp - 1 inch	2
	906005-50	Clamp - 1-1/2 inch	2
	906005-51	Clamp - 2 inch	2
	906005-52	Clamp - 2-1/2 inch	2

## SERVICE

For warranty consideration, parts, or other service information, please contact your local distributor. If you need further assistance, call the GPI Customer Service Department in Wichita, Kansas, during normal business hours.

**1-888-996-3837**

To obtain prompt, efficient service, always be prepared with the following information:

1. The model number of your turbine.
2. The serial number or manufacturing date code of your turbine.
3. Specific information about part numbers and descriptions.

For warranty work always be prepared with your original sales slip or other evidence of purchase date.

## Returning Parts

Please contact the factory before returning any parts. It may be possible to diagnose the trouble and identify needed parts in a telephone call. GPI can also inform you of any special handling requirements you will need to follow covering the transportation and handling of equipment which has been used to transfer hazardous or flammable liquids.

### CAUTION

Do not return turbines without specific authority from the GPI Customer Service Department. Due to strict regulations governing transportation, handling, and disposal of hazardous or flammable liquids, GPI will not accept turbines for rework unless they are completely free of liquid residue.

### CAUTION

Turbines not flushed before shipment can be refused and returned to the sender.

## AGENCY APPROVALS TABLE

### TURBINE BODY ONLY:

Aluminum, Brass, Stainless Steel, Stainless Steel ANSI Flange, Stainless Steel Tri-Clover® Flange



(IP65)



### TURBINE BODY WITH MOUNTED INDUSTRIAL GRADE 09 COMPUTER ELECTRONICS:



Factory Mutual Approved  
Intrinsically Safe for Class I, II, III, Division 1,  
All Groups



(IP65)



**IECEX**



ATEX

NEMA  
4

### TURBINE BODY WITH QSB PULSE-OUT:



(IP65)



### TURBINE BODY WITH QSB PULSE-OUT WITH Q09 DISPLAY:



(IP65)



### TURBINE BODY WITH QSB PULSE-OUT (OR) QSB PULSE-OUT WITH Q09 DISPLAY, COUPLED WITH ANY QSI COMMUNICATIONS SUITE (VERSION 1, 2, OR 3):



(IP65)



**NOTE:** When a component with Agency Approval ratings is mated to another component with the same Approval Agency ratings, the combination may gain environmental approvals. When one of the components has lesser or no Approval Agency ratings, the resultant combination assumes the ratings of the lesser rated component. If one component has no ratings, the resultant combination has no ratings.



## Limited Warranty Policy

Great Plains Industries, Inc. 5252 E. 36<sup>th</sup> Street North, Wichita, KS USA 67220-3205, hereby provides a limited warranty against defects in material and workmanship on all products manufactured by Great Plains Industries, Inc. This product includes a 1 year warranty. Manufacturer's sole obligation under the foregoing warranties will be limited to either, at Manufacturer's option, replacing or repairing defective Goods (subject to limitations hereinafter provided) or refunding the purchase price for such Goods theretofore paid by the Buyer, and Buyer's exclusive remedy for breach of any such warranties will be enforcement of such obligations of Manufacturer. The warranty shall extend to the purchaser of this product and to any person to whom such product is transferred during the warranty period.

The warranty period shall begin on the date of manufacture or on the date of purchase with an original sales receipt. This warranty shall not apply if:

- A. the product has been altered or modified outside the warrantor's duly appointed representative;
- B. the product has been subjected to neglect, misuse, abuse or damage or has been installed or operated other than in accordance with the manufacturer's operating instructions.

To make a claim against this warranty, contact the GPI Customer Service Department at 316-686-7361 or 888-996-3837. Or by mail at:

Great Plains Industries, Inc.  
5252 E. 36<sup>th</sup> St. North  
Wichita, KS, USA 67220-3205

If you are outside North or South America contact:

Great Plains Industries – Australia  
1/16 Atkinson Road,  
Taren Point NSW 2229, Sydney, Australia

The company shall, notify the customer to either send the product, transportation prepaid, to the company at its office in Wichita, Kansas, or to a duly authorized service center. The company shall perform all obligations imposed on it by the terms of this warranty within 60 days of receipt of the defective product.

**GREAT PLAINS INDUSTRIES, INC., EXCLUDES LIABILITY UNDER THIS WARRANTY FOR DIRECT, INDIRECT, INCIDENTAL AND CONSEQUENTIAL DAMAGES INCURRED IN THE USE OR LOSS OF USE OF THE PRODUCT WARRANTED HEREUNDER.**

The company herewith expressly disclaims any warranty of merchantability or fitness for any particular purpose other than for which it was designed.

This warranty gives you specific rights and you may also have other rights which vary from U.S. state to U.S. state.

Note: In compliance with MAGNUSON MOSS CONSUMER WARRANTY ACT – Part 702 (governs the resale availability of the warranty terms).





# **FLOMEC**<sup>®</sup>

From

**ASSURED**   
**AUTOMATION**



---

**Industrial grade**  
**Q9 COMPUTER ELECTRONICS**  
**For Agency Approved Meters**

---

*Please save these instructions for future reference. Read carefully before attempting to assemble, install, operate or maintain the product described.*

*Protect yourself and others by observing all safety information. Failure to comply with instructions could result in personal injury and/or property damage.*

*Please refer to back cover for information regarding this product's warranty and other important information.*

**DO NOT RETURN THIS PRODUCT TO THE STORE!**

*Please contact Great Plains Industries, Inc.® before returning any product. If you are missing parts, or experience problems with your installation, contact our Customer Support Department. We will be happy to assist you.*

**Call: 888-996-3837 or 316-686-7361**

**Email: [meters@tplains.com](mailto:meters@tplains.com)**

**SAVE FOR YOUR RECORDS**

**Model #:** \_\_\_\_\_

**Serial #:** \_\_\_\_\_

**Purch. Date:** \_\_\_\_\_

**AGENCY APPROVED Q9 TABLE OF CONTENTS**

<i>Getting Started</i> .....	4
<i>General Safety Instructions</i> .....	5
<i>Electrical / Mechanical Specifications</i> .....	6
<i>Approval Ratings</i> .....	8
<i>Installation</i> .....	9
<i>Operation</i> .....	10
<i>Normal Operation Mode</i> .....	11
<i>Diagnostic Mode</i> .....	13
<i>Configuration Mode</i> .....	15
<i>PIN</i> .....	17
<i>Volume Unit</i> .....	18
<i>Time Period</i> .....	20
<i>Advanced Options</i> .....	20
<i>Refresh Rate / Low Frequency Cutoff</i> .....	21
<i>Calibration Selection</i> .....	22
<i>Inner Pipe Diameter</i> .....	23
<i>Calibration Mode</i> .....	24
<i>Dispense Display</i> .....	25
<i>Percent Adjust</i> .....	27
<i>K-Factor Entry</i> .....	27
<i>Troubleshooting</i> .....	30
<i>Maintenance</i> .....	31
<i>Declaration of Conformity</i> .....	33
<i>Warranty</i> .....	36

## BEFORE YOU BEGIN

### Usage

- This computer electronics is Factory Mutual Approved, C-FM classified and has a Class 1, Division 1 Approval for hazardous environments.
- It is designed specifically for use on FLOMEC® Industrial Grade Turbine housings. It is also designed to work with several other FLOMEC products.



### Power Source Requirements

- This computer requires DC power. For this application, the power is provided by (2) AAA size Alkaline batteries installed in the computer at the factory.



### Tools and Materials Needed

- Phillips screwdriver.

---

## UNPACKING



### Contents

- Qty. 1 - Q9 Industrial Grade Computer Electronics w/Batteries Installed
- Qty. 1 - Owner's Manual



### Inspect

- Upon receipt, examine your equipment for visible damage. The computer is a precision measuring instrument and should be handled as such. If any items appear damaged or missing, contact your distributor.



- See General Safety Instruction, and all Cautions, Warnings, and Dangers as shown.

## GENERAL SAFETY INSTRUCTIONS

**IMPORTANT:** It is your responsibility to:

- Ensure that all equipment operators have access to adequate instructions concerning safe operating and maintenance procedures.

**▲ WARNING** The apparatus enclosure may contain aluminum and is considered to constitute a potential risk of ignition by impact or friction. Care must be taken into account during installation and use to prevent impact or friction.

**▲ WARNING** Part of the enclosure is constructed from plastic. To prevent the risk of electrostatic charging, the plastic surface should only be cleaned with a damp cloth.

**▲ WARNING** This product should never be electrically connected to any other device in the hazardous location. Consult manufacturer for exceptions.

**▲ WARNING** Compatibility of this product's material and the process fluid and/or environment should be considered prior to putting into service.

**▲ WARNING** Product should never be operated outside its published specifications for temperature.

**▲ WARNING** (Battery) - Avoid mechanical or electrical abuse. Batteries may explode or cause burns, if disassembled, crushed, or exposed to fire or temperatures in excess of 212° F (100° C). Do not short circuit or install with incorrect polarity. **DO NOT INCINERATE.**

**▲ WARNING** When measuring flammable liquids, observe precautions against fire or explosion.

**▲ WARNING** When handling hazardous liquids, always follow the liquid manufacturer's safety precautions.

**▲ WARNING** This device will operate using off-the-shelf AAA size alkaline batteries. Do not mix brands or technologies. Do not mix old and new batteries. Do not use rechargeable batteries.

- When working in hazardous environments, always exercise appropriate safety precautions.
- Open battery cells should be disposed of in accordance with local regulations.

## SPECIFICATIONS

### Q9 COMPUTER ELECTRONICS

#### MECHANICAL

Housing Material	Transparent Amorphous Nylon
Operating Temperature	+0°F to +140°F (-18°C to +60°C) If wider operating temperature ranges are desired, reference information on FLOMEC® Remote Kits.
Storage Temperature	-40°F to +158°F (-40°C to +70°C)

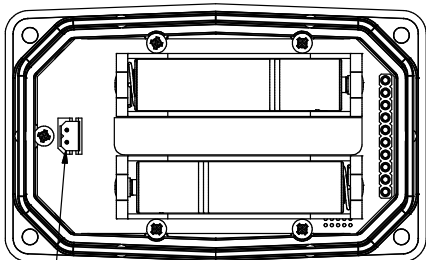
#### ELECTRICAL

Input Pulse Rate	Frequency Range: 0.25 Hz – 3kHz
K-Factor	Minimum: 0.001 pulses/unit Maximum: >999,999 pulses/unit
Field Calibration Correction	Minimum: -99.999% Maximum: +99.999%
Readout Totals	Minimum Display: 0.001 Maximum Display: 999,999 (x100)
Field Calibration	Yes
Power	Internal Power Supply: (2) Alkaline AAA batteries @ 1.5-volts each Battery Life: 2+ years

#### STANDARD FEATURES INCLUDE

- (2) Totalizing Registers
- (1) Factory Calibration Curve
- (1) Field Calibration Curve
- Rate of Flow Feature
- Flowrate Time Period in Day, Hour, minutes, or Seconds

#### COMPUTER ELECTRONICS TERMINAL CONNECTIONS



FEMALE TERMINAL HOUSING  
(PICKUP COIL CONNECTION)

Figure 1

**SPECIFICATIONS (CONTINUED)**

<b>DIMENSIONS</b>			
Length "A"	Height "B"	Height (Mounted) "C"	Width (Widest Point) "D"
3.40 in. (8.6 cm)	0.85 in. (2.1 cm)	0.72 in. (1.8 cm)	2.14 in. (5.4 cm)

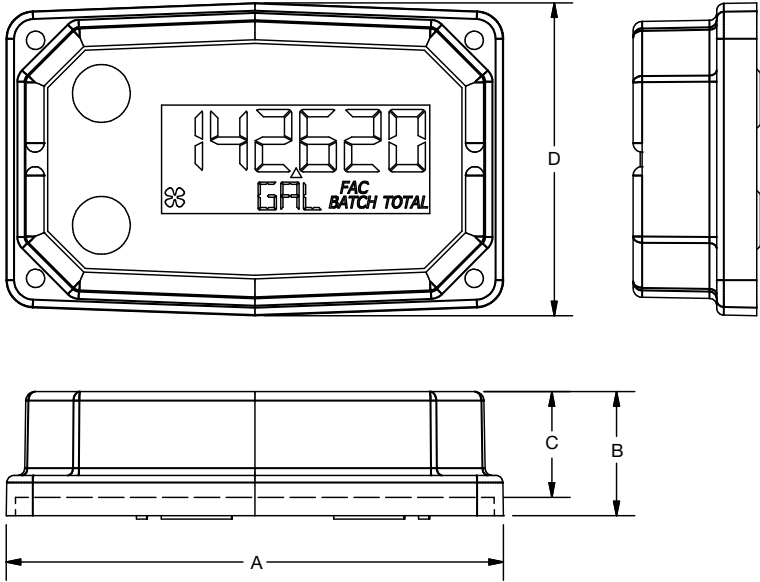


Figure 2

**COMPUTER DISPLAY FEATURES**

Familiarize yourself with the computer features before installation and use.

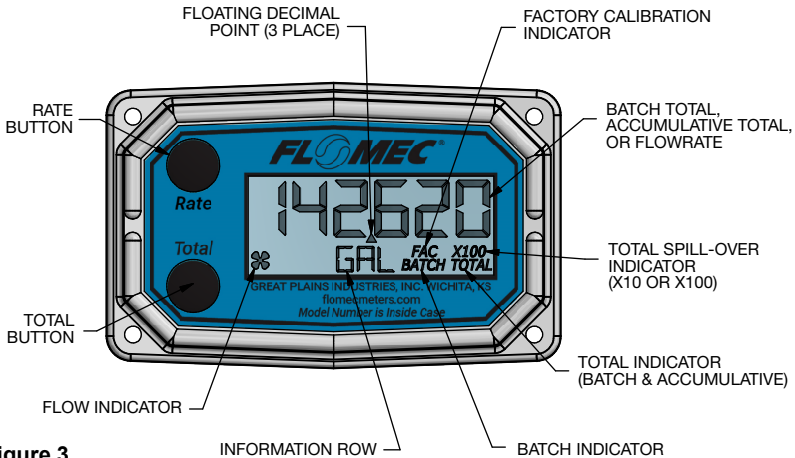


Figure 3

## SPECIFICATIONS (CONTINUED)

### AGENCY APPROVALS

**ELECTRONIC DIGITAL METER**  
 GREAT PLAINS INDUSTRIES, INC.  
 5252 E. 36TH ST. NORTH  
 WICHITA, KANSAS 67220 U.S.A



FM16CA0148X INTRINSIC SAFETY FOR HAZARDOUS  
 LOCATIONS. SECURITE INTRINSEQUE.  
 CLASS I, II DIV. 1, GROUPS ABCDEFG,  
 T6 at Ta= -40° to +60°C

IP65 Rated



FM13ATEX0016X

IECEx FMG 13.0005X

SERIAL NUMBER AND DATE CODE ON PRODUCT



II 1 G Ex ia IIC T6 Ga Ta= -40° to +60°C

INTRINSICALLY SAFE FOR

CLASS I, II, III, DIV. 1,  
 GROUPS ABCDEFG,  
 T6 Ta= -40° to +60°C

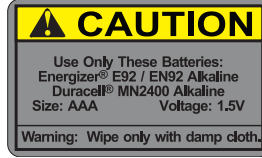
NONINCENDIVE

FOR CLASS I, II, III, DIV. 2,  
 GROUPS ABCDFG, T6 Ta= -40° to +60°C

GREAT PLAINS INDUSTRIES, INC., WICHITA, KANSAS  
 5252 E. 36TH ST. NORTH, 67220 U.S.A



**WARNING:**  
 See Owner's  
 Manual for  
 Warnings and  
 Cautions Before  
 Installation.



WARNING: TO PREVENT IGNITION OF HAZARDOUS ATMOSPHERE, BATTERIES MUST ONLY BE CHANGED IN NONHAZARDOUS LOCATION.  
 AVERTISSEMENT: AFIN DE PRÉVENIR L' INFLAMMATION D' ATMOSPHÈRES DANGEREUSES,  
 NE CHANGER LES BATTERIES QUE DANS DES EMPLACEMENTS DÉSIGNÉS NON DANGEREUX.

### REMOTE KIT ASSEMBLY (113275-10)

**ELECTRONIC DIGITAL METER**

GREAT PLAINS INDUSTRIES, INC. WICHITA, KANSAS USA

FM13ATEX0016X

IECEx FMG 13.0005X



FM16CA0148X INTRINSIC SAFETY  
 FOR HAZARDOUS LOCATIONS.  
 SECURITE INTRINSEQUE.  
 CLASS I, II, DIV. 1, GROUPS  
 ABCDEFG, T6 AT Ta=60°C.



II 1 G Ex ia IIC T6 Ga Ta= -40° to +60°C

SERIAL NUMBER  
 INSIDE PRODUCT

INTRINSICALLY SAFE FOR CLASS I, II, III, DIV. 1, GROUPS  
 ABCDEFG, T6 Ta=60°C NONINCENDIVE FOR  
 CLASS I, II, III, DIV. 2, GROUPS ABCDFG, T6 Ta=60°C  
 When Installed in Accordance with Manual 920695-03



**NOTE:** When a component with Approval Agency ratings is mated to another component with the same Approval Agency ratings, the combination may gain environmental approvals.

When one of the components has lessor or no Approval Agency ratings, the resultant combination assumes the ratings of the lessor rated component.

If one component has no ratings, the resultant combination has no ratings.

### Specific Conditions of Use

1. All computer assemblies are to be used with GPI battery 902004-02 except Q9 and R9 versions which use Energizer E92 / EN92, or Duracell MN2400 Alkaline batteries.
2. GPI remote kit assembly 113275-1 may be used with the meter when installed in accordance with GPI Manual No.920507-01. GPI Remote Kit Assembly 113275-10 may be used with the meter when installed in accordance with GPI Manual No. 920507-02.
3. The apparatus enclosure may contain aluminum which is considered to constitute a potential risk of ignition by impact or friction. Care must be taken into account during installation and use to prevent impact or friction.
4. Part of the enclosure is constructed from plastic. To prevent the risk of electrostatic sparking the plastic surface should only be cleaned with a damp cloth.



## INSTALLATION

### PRODUCT DESCRIPTION

This computer electronics is designed specifically for use on FLOMEC® Industrial Grade Turbine Housings.

The CMOS, microprocessor-based electronics have extremely low power requirements and data retention capabilities in both RAM and ROM. Information is clearly displayed on a large 6-digit LCD readout with three-point floating decimal for totals from .001 to 999,999 (x1), 9,999,990 (x10), or 99,999,900 (x100). All operations are easily accessed with the two buttons on the front panel.

In a FLOMEC Industrial Grade turbine meter, liquid flows through the turbine housing causing an internal rotor to spin. As the rotor spins, an electrical signal is generated in the pickup coil. This pulse data from the turbine is translated into calibrated flow units shown on the computer's display readout.

### INSTALLATION

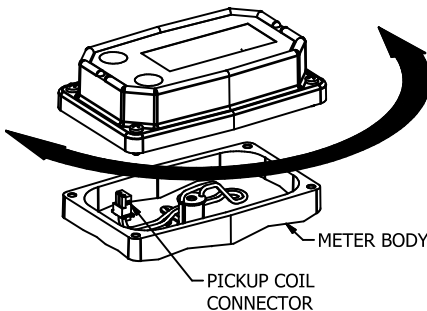
Before installation, ensure your computer model meets your specific needs. Refer to the Specifications Section to confirm required features. The model number of your computer is displayed on the outside wall of the computer housing and also inside the computer housing on the floor of the battery holder.

If you ordered your computer electronics with a turbine body, the electronics are installed at the factory.

If you ordered your computer separately as a replacement, simply plug in the pickup coil connector and mount the computer on your turbine body with the four screws at the corners of the faceplate. Make sure the seal is fully seated before tightening the screws.

If you ordered the computer with a turbine body and an accessory module, please review and thoroughly understand all installation instructions before proceeding.

All FLOMEC turbine meters are designed to measure flow in only one direction. The direction is indicated by the arrow on the turbine outlet port. If the computer display is upside down in your installation, remove the four screws, turn the display 180 degrees and reinstall the screws. (See Figure 4)



**NOTE:** When rotating the computer display, it is not necessary to disconnect the pickup coil connector, however, care should be taken to avoid inadvertent strain on the connector wires.

Figure 4

## OPERATION

### COMPUTER DISPLAY

All operations are revealed on the LCD using the large 6-characters in the top row and smaller characters and symbols in the second row. These characters and symbols indicate information regarding totals, flow, calibration, units of measure and operational messages.

Push button operation varies dependent upon the various modes of operation, i.e. Normal Operation mode, Field Calibration mode, and User Configuration mode. Their operation will be described in their respective sections.

### ACTIVATE THE COMPUTER

When batteries are installed, the computer is on continuously and always ready to perform.

The computer is powered by field replaceable commercially available batteries. Reference the Maintenance Section for battery replacement details.



Figure 5

When batteries are initially installed or replaced, the initialization routine will start the LCD display blank, then display "HELLO" on the top row and "Q9Disp" on the information row for one second. (See Figure 5)



Figure 6

The LCD will then display "HELLO" on the top row and "FW Vxx" on the information row for one second. The Vxx will be the version of the software installed on the display. Example: "FW V03" indicates firmware version 3 installed on the display. (See Figure 6)

### General

The computer maintains two totals; Batch total and accumulative total. The batch total can be reset to measure flow during a single use. The accumulative total provides continuous measurement and can only be reset by removing the batteries, holding down the **Total** button, and replacing the batteries.

The button usage map on the next page, and the user configuration process map later in the manual, is useful for understanding where the various menus are located within the software programming and the route to get to a specific menu.

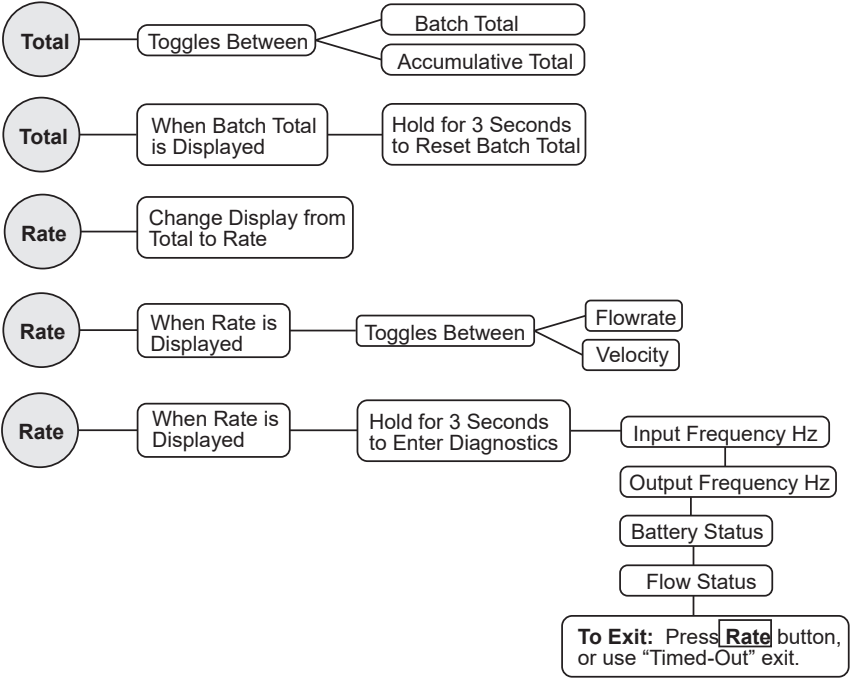
Each of these maps are followed by user instructions explaining each menu.

**OPERATION**

**NORMAL OPERATION MODE**

**Button Usage Map – Normal Operation Mode**

**BUTTON**



**Button Operation (Normal Operation Mode)**

**Total** Button: Toggle between batch total and accumulative total.

When a total is displayed, momentarily pressing **Total** button toggles the top row of large display digits between batch total and accumulative total. The information row will change to the proper units and the corresponding icons will also be shown, i.e. TOTAL or BATCH TOTAL. (See Figure 7)

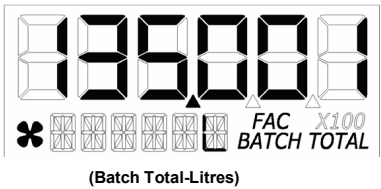


Figure 7

## OPERATION (continued)

### NORMAL OPERATION MODE (continued)

**Total** Button: Batch total reset.

When a batch total (see Figure 8-1) is displayed, press and continue to hold **Total** button for 3 seconds; the software will display a three second count down, then reset the batch total to zero. (See Figures 8-2 thru 8-4)

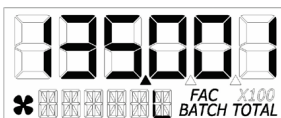


Figure 8-1

NOTE: If **Total** button is released prior to count down completion, the software returns to batch total screen. (See Figure 8-1)



Figure 8-2



Figure 8-3

NOTE: After count down completes, display will show 0.000 until user releases **Total** button. (See Figure 8-3)

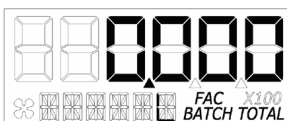


Figure 8-4

NOTE: After **Total** button is released, the display will return to Batch Total screen and will increment the total if flow is detected. (See Figure 8-4)

NOTE: When the accumulative total is displayed in Normal Operation Mode, it cannot be reset using the **Total** button. Accumulative total can only be reset by removing the batteries, holding down the **Total** button, and replacing the batteries. If the user attempts to reset it using the **Total** button,



the software will display a "Reset Denied" message on the LCD until the button is released. (See Figure

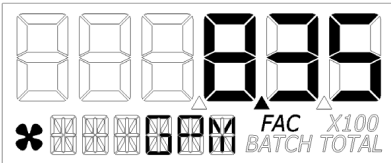
8-5).

**OPERATION (continued)**

**NORMAL OPERATION MODE (CONTINUED)**

**Rate** Button: Change display from total to rate.

When a total is displayed, momentarily pressing the **Rate** button changes the top row of large display digits from a total to a rate display. The information row will change to the proper units and the corresponding icons will also be shown, i.e. GPM, L, etc. (See Figure 9)



**NOTE:** To go back to a total when a rate is displayed, press **Total** and the display changes to the last shown total, either accumulative or batch. The information row will change to the proper unit and the corresponding icons will also be shown, i.e. TOTAL or BATCH TOTAL.

Figure 9

**Rate** Button: Change display from rate to velocity.

When a rate (see Figure 9) is displayed, momentarily pressing the **Rate** button toggles the display between flow rate and velocity. The information row will change to the proper units and the corresponding icons will also be shown. (See Figure 10)

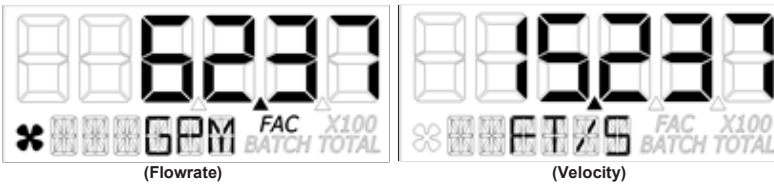


Figure 10

**Rate** Button: Display diagnostic menu.

When a rate is being displayed, press and hold the **Rate** Button for 3 seconds; the software will display a three second diagnostic count down (see Figure 11-1), then display the first of four diagnostic screens (see Figures 11-2 thru 11-6).



Figure 11-1

**NOTE:** The diagnostic screens are reference information screens only. They cannot be edited.

Within the diagnostic menu: Momentarily pressing the **Total** button will advance to the next screen; pressing the **Rate** button at any time will exit the diagnostic menu. Upon exit, the display will return to the rate display, and upon releasing the button will continue on the last shown total, either accumulative or batch.

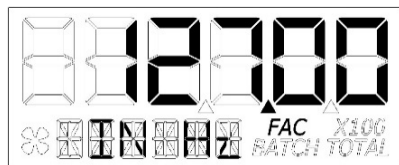
There is a **90 second “no action” clock** running when in diagnostic mode. After 90 seconds with no button push to reset the clock, the computer will automatically exit and return to the rate display.

## OPERATION (continued)

### NORMAL OPERATION MODE (CONTINUED)

#### Screen 1 – Input Frequency

After button is released, the software will display the input frequency in Hz.

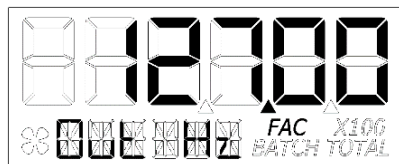


The top row is used to indicate frequency. The information row will display messages. (See Figure 11-2)

Figure 11-2

#### Screen 2 – Output Frequency

Advancing to next screen will display the output frequency in Hz.

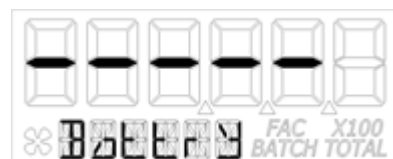


The top row is used to indicate frequency. The information row will display messages. (See Figure 11-3)

Figure 11-3

#### Screen 3 – Battery Status

Advancing to the next screen will display the battery status.



The top row is used to indicate battery life with each dash indicating a percentage of battery life remaining. The information row will display messages. (See Figure 11-4)

Figure 11-4

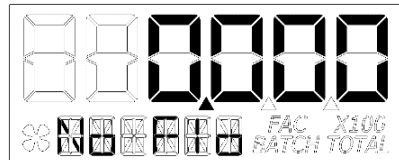


**NOTE:** If the battery life is sufficiently low, "LOWBAT" will be displayed in the information row. This low battery message will be displayed automatically without running a diagnostic battery check.

Figure 11-5

#### Screen 4 – Flow Status

Advancing to the next screen will display the flow status.



The top row is used to indicate flow rate in the volume units programmed into the computer. The information row will display messages, i.e.: No Flo, Lo Flo, Hi Flo.

Figure 11-6

**OPERATION (continued)**

**USER CONFIGURATION MODE**

**General Notes for User Configuration Mode Menus**

1. The term “focus” as used in this manual indicates an active editable item. Focused items will constantly flash ON/OFF.
2. **Advance focus:** Toggle (momentarily press) the **Total** button. Advancing focus will move focus to the next editable item to the right. If already on right most item the focus will go back to the start position in a round robin fashion. If only (1) item is editable, advancing focus will move focus to next menu.
3. **Increment the value of editable item:** Toggle the **Rate** button. If editing a number, the number will increment in a round robin fashion. If editing a text option, focus will advance thru a predefined list of text depending on the active menu and item. Advancing to the next item or menu with a unit in focus will select that unit.
4. **Advance focus to next menu:** Press and hold the **Total** button and toggle the **Rate** button.
5. **Retgress focus back to previous editable item or previous menu:** Press and hold the **Rate** button and toggle the **Total** button.
6. **Exit any user configuration mode menu:** Press and hold **Total** and **Rate** buttons simultaneously for 3 seconds.

**NOTE:** There is a **90 second “no action” clock** running when in user configuration mode. After 90 seconds with no button push to reset the clock, the computer will automatically exit and return to normal operating mode. There is **no automatic “save”**, all entries made up to that point will be lost.

**Entering User Configuration Mode**

While in normal operation mode, the user can enter the display user configuration mode by pressing and holding the **Total** and **Rate** buttons simultaneously for 3 seconds from any screen; the software will display a three second count down sequence (see Figure 12-1), then reset the display to configuration mode. (See Figure 12-2)



Figure 12-1



Figure 12-2

**NOTE:** After three seconds the LCD will display “ConFig” on the top row and “Mode” on the bottom row until the user releases both of the buttons; the display will then immediately show the first menu (PIN) of the configuration process menus.

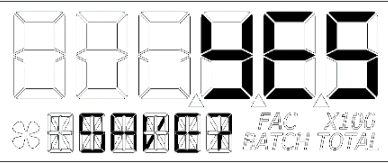
**NOTE:** If the user releases both or either button before the countdown completes, the display will return to normal operation mode.

**USER CONFIGURATION MODE**

**General Notes for User Configuration Mode Menus**

Once in configuration mode the user can then proceed thru the configuration process menus as shown on the "configuration process map" on the following page.

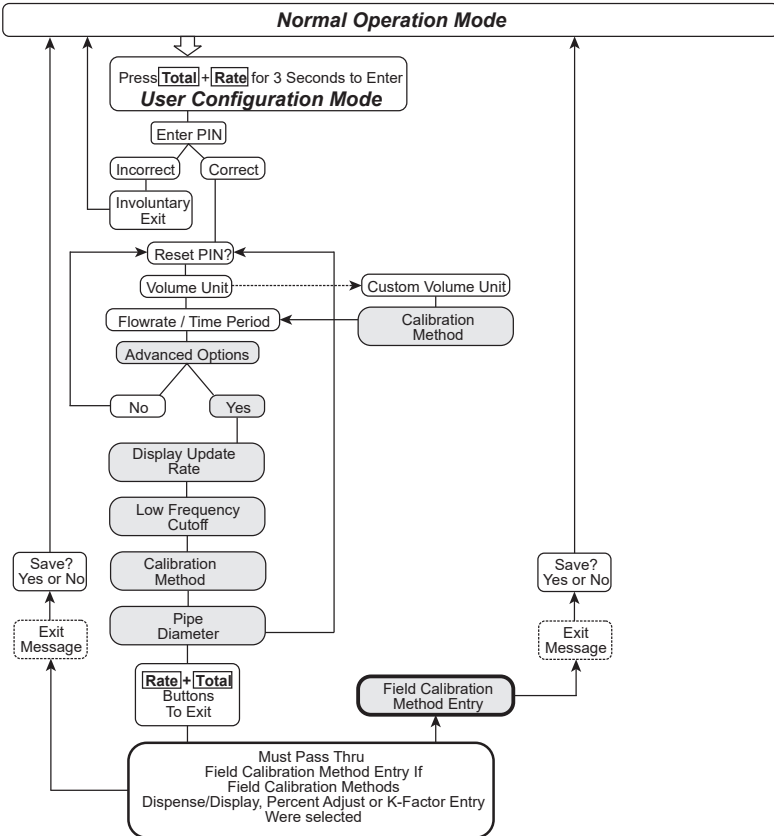
The software will retain your entries as you progress through the user configuration menus, however, there is **no automatic "save"** when exiting. Instead, you will be shown a "save" screen to enter "yes or no" to save your entries. (See Figure 13)



Use the **Rate** button to toggle between "yes" or "no". Use the **Total** button to advance to the next display. Advancing to the next display will perform the "save" selection you made and return the display to normal operation mode. The last shown screen in that mode will be displayed.

Figure 13

**Configuration Process Map – User Configuration Mode**



GETTING STARTED

SAFETY / SPECIFICATIONS

ASSEMBLY / INSTALLATION

OPERATION

TROUBLESHOOTING

MAINTENANCE / REPAIR



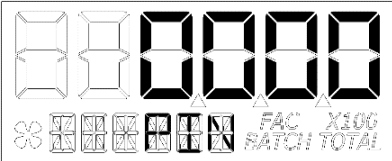
**OPERATION (continued)**

**USER CONFIGURATION MODE (continued)**

**PIN Menu**

The first menu in the configuration mode is for the user to enter a Personal Identification Number (PIN) to secure the configuration of the computer and continue with making changes.

The default user PIN is 0000. Using this default PIN will unlock the meter unless the PIN has been reset by the user.



The initial user PIN entry screen will show 0000. The left most digit will be flashing ON/OFF to indicate focus if the user wants to change the PIN. (See Figure 14-1)

**Figure 14-1**



If the entered PIN was incorrect, the screen advances to the "Config Exit" menu (See Figure 14-2) momentarily, then returns automatically to normal operation display.

**Figure 14-2**

**NOTE:** Using the user default PIN, or the user specific PIN (if previously reset), and advancing focus to the next menu, the software will compare the entered PIN with the PIN stored in the computer. If a match is found, the next menu will be shown allowing the user to reset the PIN if desired.

**Reset PIN Menu**

If the PIN was entered correctly, the next menu will be displayed and allow reset of the PIN if desired. (See Figure 15-1)



**Figure 15-1**



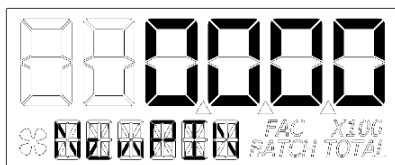
**Figure 15-2**

The "N" will be in focus (flashing). To decline resetting the PIN, advance focus to next menu.

To reset the PIN, increment the "N" to "Y" (see figure 15-2) and advance focus to next screen. (See Figure 16)

**OPERATION (continued)**

**USER CONFIGURATION MODE (continued)**



If “Y” was selected, the previous PIN will be shown. The left most digit of PIN is in focus. Increment the value of each digit as desired as you advance focus through the digits.

After reset of the PIN, advance focus to next menu.

Figure 16

**Volume Unit Menu**

On this menu the user will be allowed to enter their volume unit of measure from a list of options. (See Figure 17).

Volume Unit	Abbreviation	Volume Unit	Abbreviation
Gallon	GAL	Litre	L
Imperial Gallon	IGAL	Millilitre	mL
Custom	Set by user	Cubic Metre	m3
Acre-Foot	Ac--Ft	Cubic centimetre	cm3
Quart	Qt	Cubic Foot	FT3
Ounce	OZ	Barrel	bbl

Figure 17



On the volume unit menu (see Figure 18) the bottom row of characters will be in focus to indicate they are editable.

Advancing to the next menu with a unit in focus will select that unit of measure.

Figure 18

Switching between different volume units will not corrupt the Total's contents. For example, in GAL (gallon) mode, the computer totalizes 10.000 gallons, if the user switches to L (litre) mode, the display will read 37.854 litres (the same volume, different unit).

**Custom Volume Unit Label Menu**



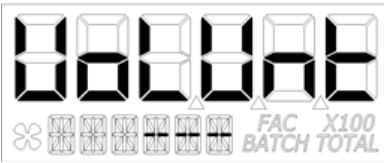
The software also allows the user to create their own “Custom” volume unit (see Figure 19). Advancing to the next menu with the “Custom” volume unit in focus will shunt the user to a new menu (see below) that will allow the user to create a new label, or reuse one already stored in computer memory.

Figure 19

**OPERATION (continued)**

**USER CONFIGURATION MODE (continued)**

If the computer is new or has no previous custom volume unit label stored in memory, the screen will appear with three dashes. (See Figure 20)



**Figure 20**

The left most of the dashes will be in focus and the user can select a letter from the list of upper case letters. An empty space will be shown on the menu screen as an underscore “\_” during creation, but the underscore will not show when displaying the unit label in operation.



**Figure 21**

If the user has previously entered a custom volume unit label, it will be read from computer memory and the unit label will be displayed (see Figure 21) with the left most character in focus. The label can then be changed if desired.

**NOTE:** Once the custom volume unit label is created, the user will be required to enter a calibration method for the custom volume unit created. Therefore, upon advancing focus to next menu, the user will be shunted to the calibration method menu to select a method of calibrating their custom volume unit.

**NOTE:** The calibration method section that defines the methods of calibration can be found later in this manual.

After selecting the calibration method, advance focus to the next menu that will be flow rate/ time period menu.

**NOTE:** The computer will remember your calibration method selection. If you selected field calibration methods dispense display, percent adjust, or K-factor method, you will be given the opportunity to configure that method at the point you decide to exit the user configuration mode. At that point, the software will automatically shunt you to the field calibration method entry menu.

The field calibration method entry section that defines the field calibration procedure of the selected method can be found later in this manual.

**NOTE:** The factory calibration stored in the unit will never be lost

**OPERATION (continued)**

**USER CONFIGURATION MODE (continued)**

**Flow Rate / Time Period Menu**

This menu is used to choose the period of time over which the flow rate is calculated. The options for this menu are: per day, hour, minute, or second. (See Figure 22-1)

Time Base	Abbreviation
Day	d
Hour	h
Minute	min
Second	s

Figure 22-1



Figure 22-2

When the screen is displayed, the software will show the current selected volume unit and time period (see Figure 22-2) and will display both in the bottom row with a backslash between them. The time period unit will be in focus and can be edited by the user.

After advancing to the next configuration menu, the time period will be saved to computer memory and used in the flow rate calculation.

**USER CONFIGURATION MODE (Advanced Options)**

**Advanced Options Menu**

This menu is used to access the Advanced Options. The **Rate** button is used to toggle between NO and YES selections. The **Total** button is used to select either NO or YES for the Advanced Options menu.

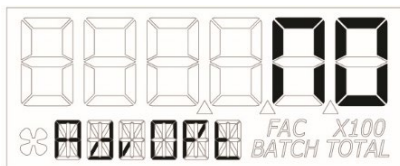


Figure 23-1

Select NO to return to Normal User Configuration menu (See Figure 23-1).

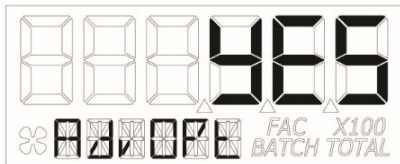


Figure 23-2

Select YES to enter into the Advanced Options menu (See Figure 23-2).

GETTING STARTED

SAFETY / SPECIFICATIONS

ASSEMBLY / INSTALLATION

OPERATION

TROUBLESHOOTING

MAINTENANCE / REPAIR

**OPERATION (continued)**

**USER CONFIGURATION MODE (Advanced Options - continued)**

**Display Update Rate Menu**

This menu allows a validated user to change the update rate of the display for flow rate or advance focus to the next menu.

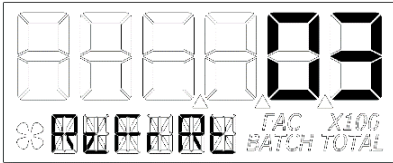


Figure 24

The range of this menu is from 1 to 60 seconds. The factory default rate is 5 seconds. Although the computer is maintaining constant calculations, the rate that the new information is displayed is controlled by this menu. (See Figure 24)

**Low Frequency Cutoff Menu**

This menu allows a validated user to enter a minimum allowed pulse input frequency to filter out any low frequency input pulses which can be generated when the meter is subject to mechanical vibrations. These vibrations could cause the totalizer to add “phantom” volume to the display totalization values. (See Figure 25)

The software will read the minimum input frequency from the computer and display it on the top row with the left most digit in focus. Increment range is from 0 to 255 Hz.

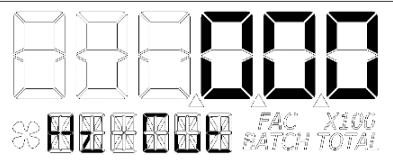


Figure 25

If 0 is set, the software will disable the input frequency filtering algorithm.

When advancing out of this menu, the software will save the selected value to the computer.

## OPERATION (continued)

### USER CONFIGURATION MODE (Advanced Options - continued)

#### Calibration Method Selection Menu

This menu is used to define which calibration method will be used in normal operation. The calibration method the user previously selected (if any) will be shown on the display first. The bottom row of characters will be in focus indicating that the user can change the calibration method. Use the **Rate** button to move through the various calibration method options.

**Factory Calibration:** All units are configured with a "factory" calibration. This factory calibration (FAC icon displayed below 6-digit display) is permanently programmed into the computer and is not user adjustable.

**NOTE:** The factory calibration stored in the unit will never be lost.

Factory calibration is the typical use method (see Figure 26-1). Prior to shipping from the factory, the display will be configured and calibrated to the meter body on which it is installed (or going to be installed).

When the user selects this option the FAC icon will be "ON" to indicate that the display is using its factory calibration table. This method does not support field calibration.

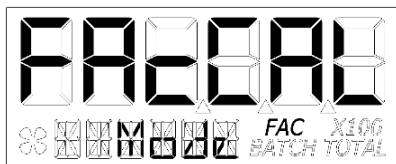


Figure 26-1

**Field Calibration:** If one of the following calibration methods is selected (dispense display, percent adjust, or K-factor entry), the user will be routed through the field calibration method entry menu, before saving configuration options, to make specific entries for the selection.

**Dispense/Display** is a field calibration method by which the user will dispense a known volume of fluid and the software will keep track of the pulse count during the dispense operation. The user will then enter the known volume into the display and the software will calculate a K-factor for the volume dispensed.

(See Figure 26-2)



Figure 26-2

**Percent Adjust** method is a field calibration method by which the user will enter a percentage amount to adjust K-factor values in the factory programmed K-factor table. Once the percentage is input by the user, the software will apply this percentage adjustment to all calculated and displayed values. (See Figure 26-3)

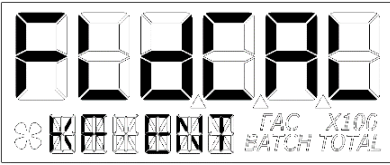
This method is good for users who simply want to adjust their meter by a percentage amount.



Figure 26-3

**OPERATION (continued)**

**USER CONFIGURATION MODE (Advanced Options - continued)**



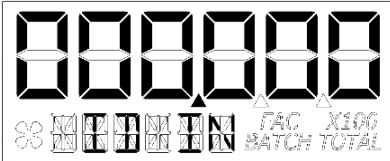
**K-Factor Entry** method (see Figure 26-4) is a field calibration method by which the user can input either a single point or multipoint calibration table.

From 1 to 5 unique K-factor and frequency values can be entered and will be stored in the custom K-factor table in the computer.

Figure 26-4

**Pipe Diameter Menu**

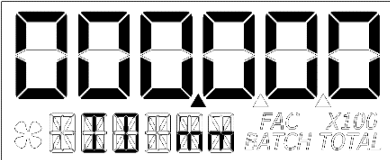
This menu is to allow the user to enter a pipe inner diameter (ID) which will allow the display to calculate and display the fluid velocity thru the meter. The pipe dimension unit can be selected as either inches or millimetres. (See Figures 27-1 & 27-2)



On this screen, the software will read the pipe ID measurement unit label from the computer and display it on the bottom row as either English (IN) or metric (mm) units. The unit label (IN or mm) will have the focus to indicate that it can be changed.

Figure 27-1

Pressing **Rate** will toggle between inches (IN) and millimetres (mm). Pressing **Total** will save the selection and allow the user to edit the pipe inner diameter value.



The software will also read the pipe ID numeric value including decimal point from the computer. The decimal point is in focus to indicate it can be changed.

Figure 27-2

Press the **Rate** button to move the focus right to the next decimal and eventually turns off all three. An additional button press will cycle the focus back to the left most decimal point. Pressing the **Total** button will lock in the selection of the decimal point and allow the user to edit the diameter value.

Pipe ID values can be from 0.001 to 999999. The pipe diameter entries will be used in the fluid velocity rate calculation during normal operation.

Pressing **Rate** will increment the digit in focus. Pressing **Total** will move focus to the next digit. Holding **Total** and pressing **Rate** will exit this menu.

Upon exit from this menu, the software will temporarily store the pipe ID entries in the computer.

**NOTE:** Failure to save your entries on the “save” screen will cause the entries to be discarded.

## OPERATION (continued)

### USER CONFIGURATION MODE (Field Calibration Mode)

#### Field Calibration Method

##### General

The field calibration method may be set by the user, and can be changed or modified at any time using a field calibration method described in this section. Totals or flowrate derived from the field calibration are being invoked when the (FAC) icon is no longer visible below the 6-digit display.

Factory calibration settings are programmed into each computer during manufacturing, using Stoddard test solvent at 70° F (21° C) for meters up to 1 inch. Meters 1-1/2 inch and larger are factory calibrated using water at 70° F (21° C).

Settings are correct for light liquids such as water, gasoline or diesel. Readings using the factory calibration (FAC) may not be accurate in some situations, for example, "heavy" liquids such as motor oil, under extreme temperature conditions, non-standard plumbing configurations or with fluids other than mentioned above.

For improved accuracy under such conditions, the computer allows for field calibration, that is, user entry of custom calibration parameters. A "single point" field calibration curve may yield acceptable accuracy when used in a non-standard application, however, the computer is capable of programming a "five point" field calibration curve.

**NOTE:** If the calibration method is changed when in user configuration mode, i.e., not using the default factory calibration (FAC), the programming will allow the user to adjust the user programmable calibration table for the calibration method selected. This is done by shunting the user to the field calibration method entry menu specific to that calibration method upon exit from the user configuration mode.

##### Verify Accuracy before Beginning Field Calibration

For the most accurate results, dispense at a flowrate which best simulates your actual operating conditions. Avoid "dribbling" more fluid or repeatedly starting and stopping the flow. This can result in less accurate calibrations. Make sure you meet the meter's minimum flowrate requirements.

The use of a uniformly dependable, accurate calibration container is recommended for the most accurate results. A five gallon calibration container is available in the parts section of this manual. For best results, the meter should be installed and purged of air before field calibration.

Due to high flowrates on meters 2 inch and larger, it is strongly recommended that field calibration be completed with a combination of volume and weight determined with fine resolution scales.



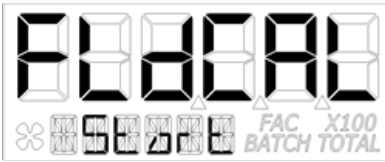
**OPERATION (continued)**

**USER CONFIGURATION MODE (Field Calibration Mode - continued)**

**Field Calibration Method Entry**

At the beginning of the calibration method entry menu, the software will allow the user to start the calibration process or to exit back to normal operation. (See Figures 28-1 & 28-2)

The bottom row of characters will be in focus to indicate that the user can select between either "Start" or "Exit" by advancing focus.



If "Start" is in focus when advancing to the next menu, the software will automatically advance to the calibration menu for the calibration method the user previously selected.

Figure 28-1



If "Exit" is in focus when advancing to the next menu, the software will display a "save" screen (see Figure 13) to enter "yes" or "no" to save your entries.

Figure 28-2

**Display Dispense Method**

Dispense/Display is a field calibration method by which the user will dispense a known volume of fluid and the software will keep track of the pulse count during the dispense operation. The user will then enter the known volume into the display and the software will calculate a K-factor for the volume dispensed. (See Figure 29-1)



The software will allow the user to dispense a known volume in order to create a custom K-factor. This will not overwrite the existing factory calibration table.

Figure 29-1



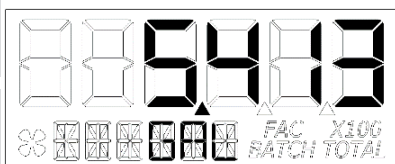
The first screen in this calibration method will show "run 1" indicating that computer is waiting for flow to start. (See Figure 29-2)

**NOTE:** Pressing any single button while on this screen will not have any effect. Pressing both buttons and holding will allow the user to exit calibration mode.

Figure 29-2

## OPERATION (continued)

### USER CONFIGURATION MODE (Field Calibration Mode - continued)



Begin dispensing into a container of known accurate volume. As soon as pulses are detected by the software, the screen will switch to display the volume being dispensed on the top row and the volume unit on the bottom row. (See Figure 29-3)

Figure 29-3

When the user is finished with the run, press and hold the **Total** button until the left most digit begins to flash indicating it is in focus, then release the **Total** button.

Pressing the **Rate** button will increment the digit in focus. Pressing the **Total** button will advance focus to the next digit.

Holding **Total** and pressing **Rate** will lock in the entered volume.

The software will then calculate the K-factor for the volume entered based on the pulse count for the run and the volume entered. The average frequency and the K-factor will be entered into the custom user K-factor table for run 1.

### Exit Dispense Display Method



**NOTE:** "FIdCAL" will then be displayed on the top row and "Exit" on the bottom row (see Figure 30). The software will temporarily store the sorted table of frequencies and K-factors, then display the "Save" screen. (See Figure 13)

Figure 30

**NOTE:** Failure to save your entries on the "save" screen will cause the entries to be discarded.

**OPERATION (continued)**

**USER CONFIGURATION MODE (Field Calibration Mode - continued)**

**Percent Adjust Method (Correction Factor)**

Percent adjust method is a field calibration method by which the user will enter a percentage amount to adjust K-factor values in the factory programmed K-factor table. Once the percentage is input by the user, the software will apply this percentage adjustment to all calculated and displayed values. (See Figure 31-1)



Figure 31-1

This will not over write the existing factory calibration table, instead, it applies a calculation to the existing values for use by the computer.

This method is good for users who simply want to adjust their meter by a percentage amount.



Figure 31-2

The top row left most character will be in focus to indicate the user can change the value. The left most character is the sign of the value. The decimal point is not adjustable. The range for the values are: -99.999% to +99.999%. The software will display the user applied percent adjustment on the top row.

Momentarily press **Rate** to toggle between (dash "-") and (underscore "\_"). A dash indicates a negative value. An underscore indicates a positive value. Press **Total** to edit the adjustment value.

When all digits are entered correctly, exit by holding the **Total** and pressing the **Rate** button. The software will store the adjusted percentage correction, then display the "Save" screen. (See Figure 13)

**NOTE:** Failure to save your entries on the "save" screen will cause the entries to be discarded.

**K-factor Entry Method**

K-factor entry method (see Figure 32-1) is a field calibration method by which the user can input either a single point or multipoint calibration table.

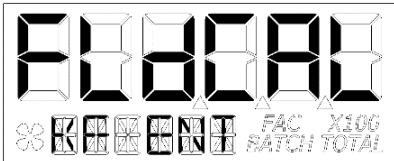


Figure 32-1

From 1 to 5 unique K-factor and frequency values can be entered and will be stored in the custom K-factor table in the computer. This will not over write the existing factory calibration table.

## OPERATION (continued)

### USER CONFIGURATION MODE (Field Calibration Mode - continued)

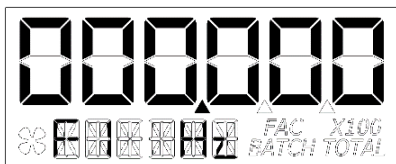


Figure 32-2

Momentarily pressing the **Rate** button moves the decimal focus right to the next decimal until reaching the end, then cycles back to the start position in a round robin fashion. When the decimal point is moved to the correct position, pressing the **Total** button will lock in its positional location and allow the user to edit the frequency value.

Pressing the **Rate** button will increment the digit. Momentarily pressing **Total** will move to the next digit. Pressing and holding **Total** then pressing **Rate** will advance to the next screen (see Figure 32-3).

**NOTE:** User input K-factor entry values will disable the (FAC) icon. The K-factor range is 0.001 to 999999.

The software will read the existing K-factor table from the computer and will display the first frequency on the top row (see Figure 32-2) with the left most character in focus to indicate the user can change the value. Minimum frequency value allowed is 0.25 and the maximum allowable frequency value is 3000.00 Hz. The decimal point is adjustable.

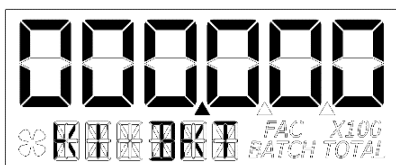


Figure 32-3

**NOTE:** To advance character value focus or move decimal point position for the K-factor screen, the buttons operate the same as on the frequency screen above.

After completing the first table entry of frequency and K-factor, the display will ask the user if there are additional points to enter. (See Figures 32-4 & 32-5)

The software will read the existing K-factor table from the computer and will display the first K-factor on the top row. The bottom row displays the K-factor table entry position (1 thru 5) for the volume unit shown. The decimal point will be in focus to indicate the user can change the position. The value is also adjustable (See Figure 32-3)



Figure 32-4



Figure 32-5

If the user chooses YES, the previous screens will repeat for Frequencies 2 – 5 and K-factors 2 – 5.

**NOTE:** If the table stops short of 5 points, then only the points entered will be used to define the calibration curve.

**OPERATION (continued)****USER CONFIGURATION MODE (Field Calibration Mode - continued)**

If the user chooses NO, the software will show the FLdCAL Exit screen (see Figure 30) for one second, and will then exit field calibration mode. The software will temporarily store the K-factor table values in the computer, and then display the "Save" screen (see Figure 13) and return to normal operation mode.

**NOTE:** Failure to save your entries on the "save" screen will cause the entries to be discarded.

## TROUBLESHOOTING

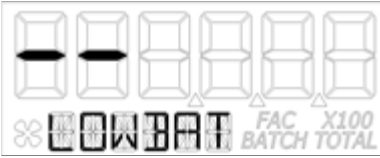
Symptom	Probable Cause	Corrective Action
A. DISPLAY IS INACCURATE	1. Field Calibration not performed properly.	Field calibrate again or select Factory Calibration.
	2. Factory Calibration not suitable for liquid being measured.	Perform a Field Calibration according to Field Calibration Section.
	3. Meter operated below minimum flowrate.	Increase flowrate.
	4. Meter partially clogged with dried liquid.	Remove meter. Clean carefully. Make sure rotor spins freely.
	5. Turbine bearings partially clogged with dried liquid.	Remove meter. Clean carefully. Make sure rotor spins freely.
	6. Sealant material wrapped around meter rotor.	If applicable, remove rotor. Make sure rotor spins freely.
	7. Meter installed too close to fittings.	Install correctly.
	8. Meter installed too close to motors or electrically "noisy" environment.	Install correctly.
B. DISPLAY IS FADED OR BLANK.	1. Batteries weak, dead, or not connected.	Remove computer. Check and replace batteries.
	2. Computer defective.	Contact the factory.
C. NORMAL FLOWRATE BUT DISPLAY DOES NOT SHOW COUNT	1. Field Calibration not performed correctly.	Field calibrate again or select Factory Calibration.
	2. Rotor stuck or damaged.	Remove meter. Make sure rotor spins freely.
	3. Sealant material wrapped around rotor.	Remove meter. Make sure rotor spins freely.
	4. Computer defective.	Contact the factory.
D. REDUCED FLOWRATE AND DISPLAY DOES NOT SHOW COUNT	1. Meter clogged with dried liquid.	Remove meter. Clean carefully. Make sure rotor spins freely.
	2. Below minimum flowrate.	Increase flow.
E. CANNOT GET COMPUTER INTO FIELD CALIBRATION	1. Wrong button sequence.	Proceed with calibration using Field Calibration Section instructions.
	2. Computer circuit board defective.	Replace computer. Contact factory.
	3. Button defective.	Replace computer. Contact factory.

**MAINTENANCE**

**Batteries**

The computer electronics are powered by alkaline batteries. Removing the batteries before storing the meter will extend battery life since the computer is always on (either standby or active) when the batteries are installed.

If the meter's readout should become dim, blank or the low battery message appears (see below), the batteries should be replaced.



Note: If the battery life is sufficiently low, "LOWBAT" will be displayed in the message area on the bottom row of characters. This low battery message will be displayed automatically without running a diagnostic battery check.

**Battery Replacement Information**

The computer is shipped with (2) alkaline AAA size batteries (1.5-volts each) installed. The installed batteries are Agency Approval rated for use with this electronic device.

Battery replacements are readily available as an off-the-shelf item. To maintain the Agency Approvals of this device, and maintain the FLOMEC® warranty, the batteries listed below are approved for use.

- |   |
|---|
| <p><b>Alkaline (AAA size, 1.5-volts each)</b><br/>                 Energizer, Alkaline, E92 or En92<br/>                 Duracell, Alkaline, Mn2400</p> |
|---|

**Do not mix brands or technologies. Do not mix old and new batteries. Do not use rechargeable batteries.**

When batteries are disconnected or fail, the computer memory will retain the batch total, accumulative total, factory calibration curve, and field calibration curve indefinitely.

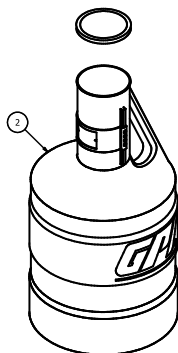
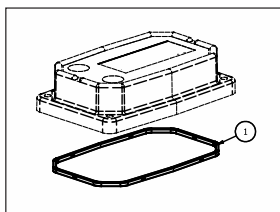
It is strongly recommended that battery checks and terminal cleaning be a part of a routine maintenance schedule. Battery terminals should be cleaned annually. Batteries can be replaced without removing the meter from the piping system.

**Replace Batteries**

1. Remove the (4) corner screws attaching the computer electronics to the meter and lift the computer electronics from the meter.
2. Remove the batteries.
3. Check the battery terminals and remove any corrosion.
4. Install the new batteries and make sure the positive posts are positioned correctly. When the batteries are installed correctly, the computer powers on automatically and the display will show information.
5. Make sure the seal is fully seated before placing the computer electronics back on the turbine. Tighten the (4) screws previously removed.
6. Do not clean exterior of computer assembly with Isopropyl Alcohol.

## PARTS

The factory, when provided with model number and serial number, can replace your entire computer electronics assembly. Order replacement kits, parts, and accessories with the part numbers shown below.



Item No.	Part No.	Description	No. Reqd.
1	901002-52	Seal, Computer	1
2	116000-1	Large Calibration Container (5 Gallon)	Optional

## SERVICE

For warranty consideration, parts, or other service information, please contact your local distributor. If you need further assistance, contact the GPI Customer Service Department in Wichita, Kansas, during normal business hours.

A toll free number is provided for your convenience.

**1-888-996-3837**

To obtain prompt, efficient service, always be prepared with the following information:

- The model number of your computer.  
*(Printed on label located on bottom of one of the battery holders.)*
- The serial number or manufacturing date code of your computer.  
*(Printed on label located on bottom of one of the battery holders.)*
- Part descriptions and numbers.

For warranty work, always be prepared with your original sales slip or other evidence of purchase date.

**IMPORTANT:** Please contact GPI before returning any parts. It may be possible to diagnose the trouble and identify needed parts in a telephone call.



## Declaration of Conformity

We declare, that the product:

Product Name: Electronic Digital Meter  
Model Numbers: 03\*\*\*\*\*  
A1\*\*\*\*\*  
A2\*\*\*\*\*  
G2\*\*\*\*\*9\*\*\*

*Model numbers include all combinations of an alpha-numeric series as illustrated above.*

Conforms with the requirements of the Directives below by compliance with the Standards subsequently listed:

1. Council Directive 2004/108/EC (until April 19, 2016) and Directive 2014/30/EU (from April 20, 2016) relating to Electro-Magnetic Compatibility.  
EN 61000-6-2:2005  
EN 61000-6-3:2007/A1:2011
2. Council Directive 94/9/EC (until April 19th, 2016) and Directive 2014/34/EU (from April 20th, 2016) relating to equipment or protective systems intended for use in potentially explosive atmospheres.  
EN 60079-0:2018  
EN 60079-11:2012  
EN 60529+A1:2000
3. Council Directive 2011/65/EU and 2002-95-EC as amended (RoHS Directive) relating to the restriction of certain hazardous substances in electrical and electronic equipment.

Supplementary Information:

- This product meets an (Ingress Protection) IP65 rating.
- This product has insufficient internal volume size or pressure ratings to meet a pressure directive.
- This product is not recommended for custody transfer or application where levying by consumption takes place.

I the undersigned, hereby declare that the equipment specified above conforms to the above Directive(s) and Standard(s).

Signature:



Full Name: Victor Lukic  
Position: President  
Great Plains Industries, Inc.  
Place: Wichita, KS USA  
March 2016

Notified Body: FM Approvals Europe Ltd.  
One Georges Quay Plaza  
Dublin, Ireland D02 E440

Identification No: 2809

EC-Type Examination Certificate No: FM13ATEX0016X

**GREAT PLAINS INDUSTRIES GPI®**  
5252 E. 36th St. N. Wichita, KS 67220-3205  
316-686-7361 / f. 316-686-6746 / GPI.net

### Q9 Computer Electronics:



Factory Mutual Approved  
Intrinsically Safe for Class I, II, III, Division 1, All Groups

Intrinsically Safe approval only applies when  
used with FLOMEC® FM Approved meter

### Q9 Industrial Grade Computer Electronics when installed on a FLOMEC FM Approved meter



IP65



Factory Mutual Approved  
Intrinsically Safe for Class I, II, III, Division 1, All Groups



## **FLOMEC® TWO-YEAR LIMITED WARRANTY**

Great Plains Industries, Inc. 5252 E. 36<sup>th</sup> Street North, Wichita, KS USA 67220-3205, hereby provides a limited warranty against defects in material and workmanship on all products manufactured by Great Plains Industries, Inc. This product includes a 2 year warranty. Manufacturer's sole obligation under the foregoing warranties will be limited to either, at Manufacturer's option, replacing or repairing defective Goods (subject to limitations hereinafter provided) or refunding the purchase price for such Goods theretofore paid by the Buyer, and Buyer's exclusive remedy for breach of any such warranties will be enforcement of such obligations of Manufacturer. The warranty shall extend to the purchaser of this product and to any person to whom such product is transferred during the warranty period.

The warranty period shall begin on the date of manufacture or on the date of purchase with an original sales receipt. This warranty shall not apply if:

- A. the product has been altered or modified outside the warrantor's duly appointed representative;
  
- B. the product has been subjected to neglect, misuse, abuse or damage or has been installed or operated other than in accordance with the manufacturer's operating instructions.

To make a claim against this warranty, contact the GPI Customer Service Department at

**316-686-7361 or 888-996-3837.**

**Or by mail at:**

**Great Plains Industries, Inc.**

**5252 E. 36th St. North**

**Wichita, KS, USA 67220-3205**

The company will step you through a product troubleshooting process to determine appropriate corrective actions.

**GREAT PLAINS INDUSTRIES, INC., EXCLUDES LIABILITY UNDER THIS WARRANTY FOR DIRECT, INDIRECT, INCIDENTAL AND CONSEQUENTIAL DAMAGES INCURRED IN THE USE OR LOSS OF USE OF THE PRODUCT WARRANTED HEREUNDER.**

The company herewith expressly disclaims any warranty of merchantability or fitness for any particular purpose other than for which it was designed.

This warranty gives you specific rights and you may also have other rights which vary from U.S. state to U.S. state.

Note: In compliance with MAGNUSON MOSS CONSUMER WARRANTY ACT – Part 702 (governs the resale availability of the warranty terms).

