

FK Series

Polypropylene Lug and Wafer Style Butterfly Valve



The FK Series butterfly valves offer superior strength and chemical resistance in highly corrosive environments and process flow conditions. This versatile industrial valve features double self-lubricating seals, direct actuator mount capability, and the option of either a lever handle or mounted gear box. A stainless steel "insert" lug version provides full bi-directional operation allowing disassembly of the downstream flange connection without the integrity of the upstream line.

FEATURES

- ISO dimensions for direct mounting of actuators.
- Trapezoidal elastomeric liner provides a bubble tight seal while keeping break-away torque at an absolute minimum.
- Liner completely isolates valve body from process flow and functions as a flange gasket on both sides of the valve.
- Body cavity features special channeling to prevent liner slippage and compression.
- Body cavity features special channeling to prevent liner slippage and compression.
- PTFE seated O-ring shaft seals.

MATERIALS OF CONSTRUCTION

Seats and Seals:
EPDM or Viton®.

Disc:
CPVC.

Body:
GRPP (glass reinforced polypropylene).

ACTUATOR CONFIGURATIONS

- Electric.
- Pneumatic (spring return).
- Pneumatic (double acting).
- Manual handle lever.
- Manual geared hand wheel.

MAXIMUM PRESSURE

150 PSI (at 73°F): 1-1/2" to 10"
120 PSI (at 73°F): 12"

TEMPERATURE RANGE

32°F to 212°F

SPECIFICATIONS

Connections:

1-1/2" to 12" wafer flange (ANSI 150).
2-1/2" to 12" lugged flange (ANSI 150).

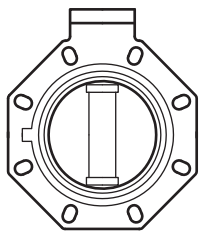
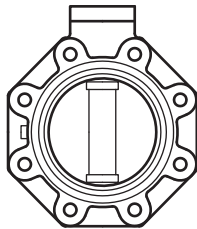
Standards:

ASTM D1784 and ANSI B16.5.

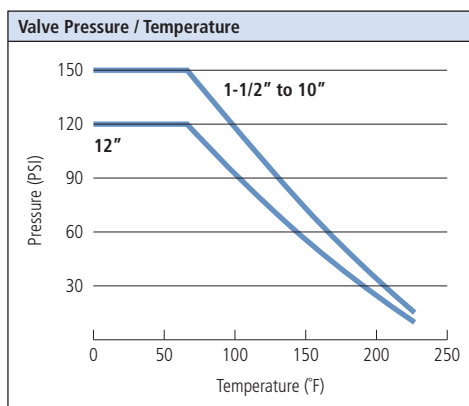
CV FACTORS

Size	Cv
1-1/2"	70
2"	90
2-1/2"	119
3"	249
4"	413
5"	690
6"	1309
8"	2135
10"	3724
12"	5712

Lug Style Valve ▶
Installs between flanges. Bolts are threaded into tapped holes from each side of mounting flange.



◀ Wafer Style Valve
Installs between flanges. Bolts span the body.



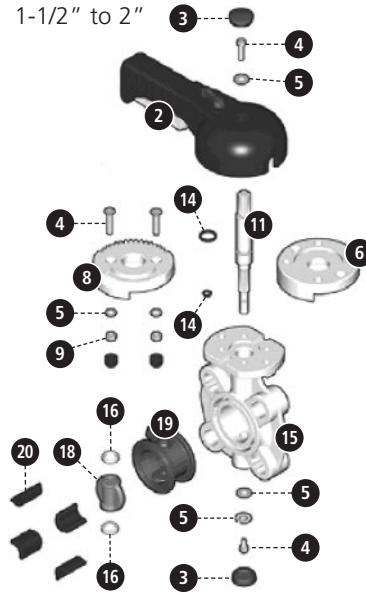
FK Series

Polypropylene butterfly valve (Lug and wafer style)

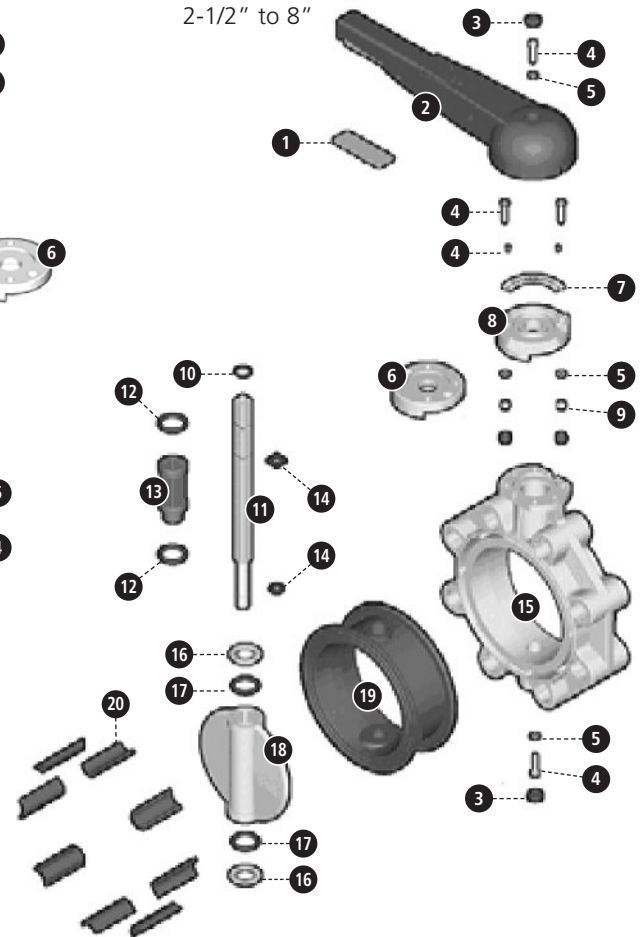
PARTS

1. **Handle Insert:** ABS.
2. **Handle:** PVC.
3. **Cap:** PE.
4. **Screw:** Stainless steel.
5. **Washer:** Stainless steel.
6. **Spacer Pad:** GRPP.
7. **Ratchet:** Stainless steel.
8. **Pad:** GRPP.
9. **Nut:** Stainless steel.
10. **Retaining Ring:** Stainless steel.
11. **Shaft:** 420 stainless steel.
12. **Bushing O-ring:** EPDM or Viton®.
13. **Bushing:** Nylon.
14. **Shaft O-ring:** EPDM or Viton®.
15. **Body:** GRPP.

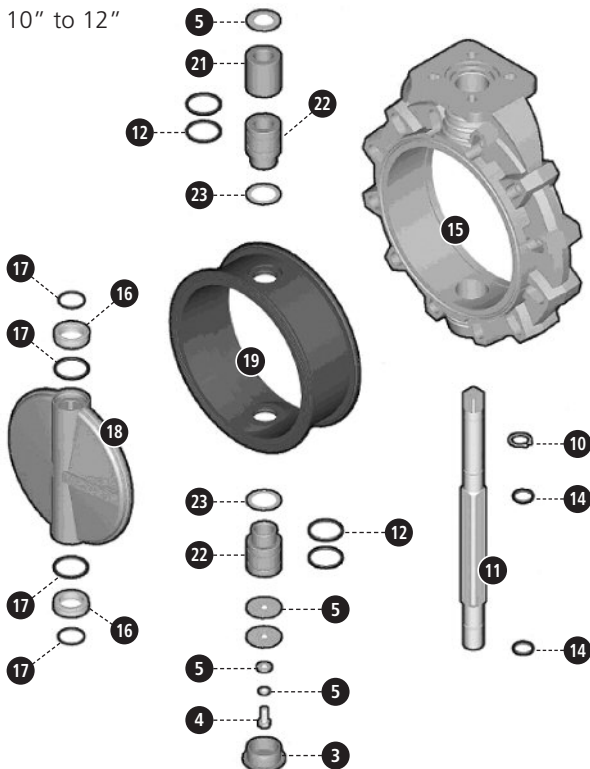
1-1/2" to 2"



2-1/2" to 8"



10" to 12"

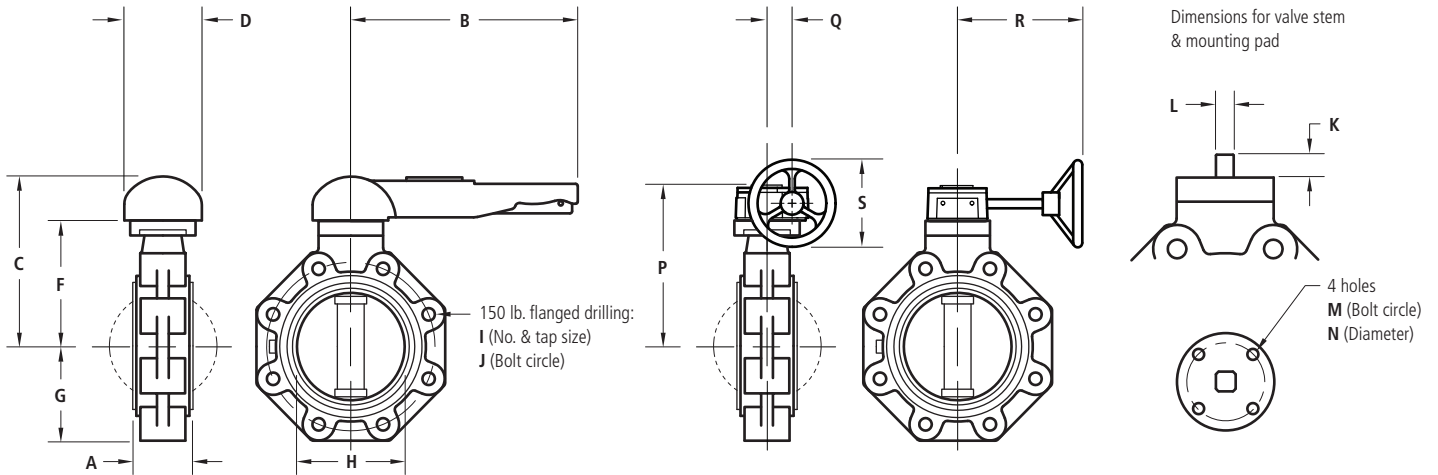


PARTS (con't)

16. **Anti-friction Ring:** PTFE.
17. **Disc O-ring:** EPDM or Viton®.
18. **Disc:** CPVC.
19. **Primary Liner:** EPDM or Viton®.
20. **Inserts:** ABS.
21. **Bushing:** PP.
22. **Bushing for O-ring:** PP.
23. **Washer:** PTFE.

FKLM / FKLG Series

Lug style butterfly valve with latch handle (FKWM) or gear operator (FKWG)
(Manual operation)



DIMENSIONS, WEIGHTS & SPECIFICATIONS

Size	A	B	C	D	F	G	H	I	J	Wt.* (lbs.)	Model No.
2-1/2"	1.81	10.71	6.46	4.33	4.69	3.15	2.56	(4) 5/8"-11	5.50	3.5	IFKLEPPOM
3"	1.93	10.71	7.01	4.33	5.24	3.66	3.15	(8) 5/8"-11	6.00	4.1	JFKLEPPOM
4"	2.20	10.71	7.56	4.33	5.79	4.21	3.94	(8) 5/8"-11	7.50	4.9	KFKLEPPOM
5"	2.52	12.99	8.35	4.33	6.57	4.72	4.92	(8) 3/4"-10	8.50	6.8	LFKLEPPOM
6"	2.76	12.99	8.86	4.33	7.09	5.28	5.91	(8) 3/4"-10	9.50	8.5	MFKLEPPOM
8"	2.80	16.54	10.71	4.80	8.94	6.34	7.87	(8) 3/4"-10	11.75	14.9	NFKLEPPOM
10"	4.49	-	-	-	9.76	8.27	9.84	(12) 7/8"-9	14.25	-	-
12"	4.49	-	-	-	12.01	9.65	11.81	(12) 7/8"-9	17.00	-	-

* Weight includes handle. ⊙ Seat: E = EPDM; V = Viton®.

MOUNTING DIMENSIONS & SPECIFICATIONS

Size	K	L	ISO	M	N
2-1/2"	0.47	0.43	F05 / F07	1.97 / 2.76	0.28 / 0.35
3"	0.63	0.55	F07	2.76	0.35
4"	0.63	0.55	F07	2.76	0.35
5"	0.75	0.67	F07	2.76	0.35
6"	0.75	0.67	F07	2.76	0.35
8"	0.94	0.87	F10	4.02	0.43
10"	1.14	1.06	F10 / F12 / F14	4.02 / 4.92 / 5.51	0.43 / 0.51 / 0.67
12"	1.14	1.06	F10 / F12 / F14	4.02 / 4.92 / 5.51	0.43 / 0.51 / 0.67

FKL VALVE FEATURES

- Lug style butterfly valve.
- Polypropylene PP body, CPVC disc and stem.
- EPDM or Viton® seats.
- Mounting pad for direct mount actuator per ISO 5211.
- Pressure range: 150 PSI: 2-1/2" to 10", 120 PSI: 12".

ADDITIONAL DIMENSIONS & SPECIFICATIONS

Size	P	Q	R	S	Wt.* (lbs.)	Model No.
2-1/2"	6.85	1.54	5.31	4.92	5.3	IFKLEPPOG
3"	7.40	1.54	5.31	4.92	6.2	JFKLEPPOG
4"	7.95	1.54	5.31	4.92	6.9	KFKLEPPOG
5"	8.74	1.54	5.67	7.87	9.8	LFKLEPPOG
6"	9.25	1.54	5.67	7.87	11.5	MFKLEPPOG
8"	11.30	2.36	8.03	7.87	20.5	NFKLEPPOG
10"	12.48	2.99	9.29	9.84	41.0	OFKLEPPOG
12"	14.72	2.99	9.29	9.84	56.4	PFKLEPPOG

* Weight includes gear operator. ⊙ Seat: E = EPDM; V = Viton®.

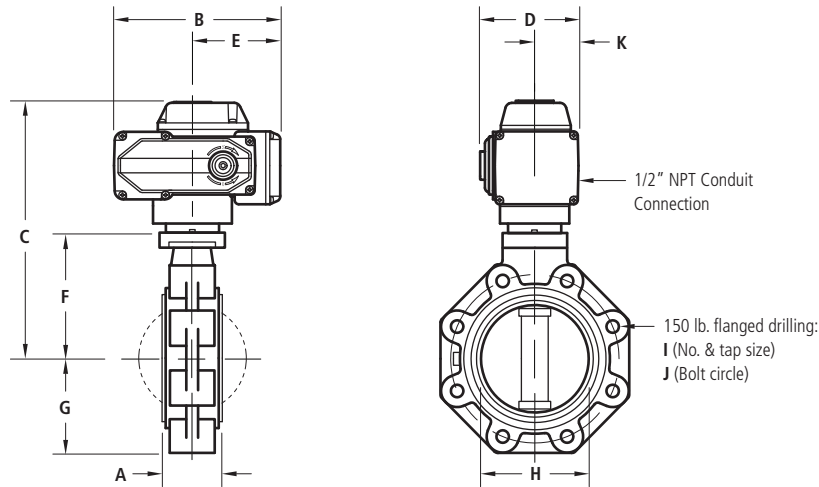
LEVER HANDLE FEATURES

- Adjustable locking device.

FKLK4 Series

Lug style butterfly valve with electric actuator

(Actuators are sized for 150 PSI liquid media line pressure, contact factory for higher line pressure ratings)



DIMENSIONS, WEIGHTS & SPECIFICATIONS

Size	A	B	C	D	E	F	G	H	I	J	K	Actuator	Wt. (lbs.)	Model No.
2-1/2"	1.81	6.25	8.79	4.50	3.00	4.69	3.15	2.56	(4) 5/8"-11	5.50	2.00	UNIC05	6.8	IFKLEPP⊙K4
3"	1.93	6.25	9.34	4.50	3.00	5.24	3.66	3.15	(8) 5/8"-11	6.00	2.00	UNIC05	7.7	JFKLEPP⊙K4
4"	2.20	8.17	12.23	4.82	4.33	5.79	4.21	3.94	(8) 5/8"-11	7.50	2.14	UNIC10	13.9	KFKLEPP⊙K4
5"	2.52	8.17	13.01	4.82	4.33	6.57	4.72	4.92	(8) 3/4"-10	8.50	2.14	UNIC10	15.6	LFKLEPP⊙K4
6"	2.76	10.10	14.37	8.16	5.25	7.09	5.28	5.91	(8) 3/4"-10	9.50	2.48	UNIC20	25.3	MFKLEPP⊙K4
8"	2.80	10.10	16.22	8.16	5.25	8.94	6.34	7.87	(8) 3/4"-10	11.75	2.48	UNIC20	31.2	NFKLEPP⊙K4
10"	4.49	15.00	18.97	9.53	7.85	9.76	8.27	9.84	(12) 7/8"-9	14.25	4.13	UNIC60	70.7	OFKLEPP⊙K4
12"	4.49	15.00	21.22	9.53	7.85	12.01	9.65	11.81	(12) 7/8"-9	17.00	4.13	UNIC60	88.1	PFKLEPP⊙K4

⊙ Seat: E = EPDM; V = Viton®.

FKL VALVE FEATURES

- Lug style butterfly valve.
- Polypropylene PP body, CPVC disc and stem.
- EPDM or Viton® seats.
- Mounting pad for direct mount actuator per ISO 5211.
- Pressure range: 150 PSI: 2-1/2" to 10", 120 PSI: 12".

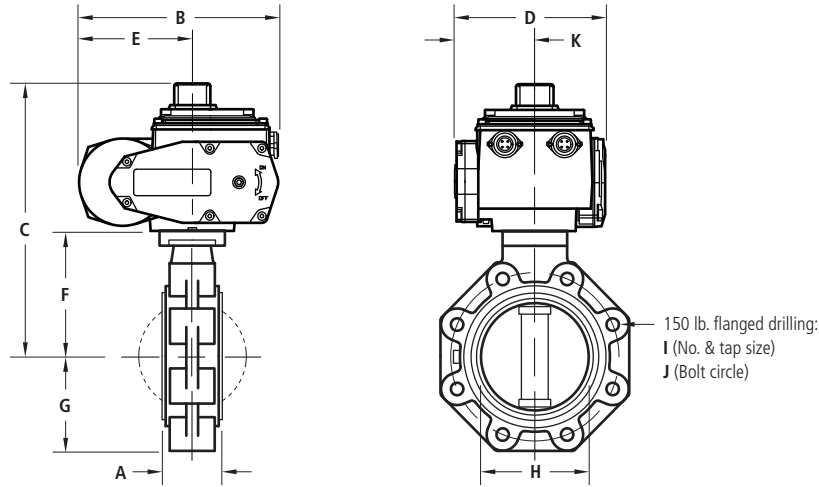
ELECTRIC ACTUATOR FEATURES

- K Series electric actuator.
- Actuator speed: 25 sec.
- Most voltages available.
- Quarter turn: 0-90° rotation.
- NEMA 4/4X certified by UL labs.
- ISO 5211 mounting standard.
- Visual position indicator.
- Self-locking drive train.
- Mounts in any direction.
- 1/2" NPT conduit connection.
- CSA-NRTL/C and CE certified.
- Temperature range: 0°F to 160°F.

FKLI4 Series

Lug style butterfly valve with electric actuator NEMA 4, 4X

(Actuators are sized for 150 PSI liquid media line pressure, contact factory for higher line pressure ratings)



DIMENSIONS, WEIGHTS & SPECIFICATIONS

Size	A	B	C	D	E	F	G	H	I	J	K	Actuator	Wt. (lbs.)	Model No.
2-1/2"	1.81	7.56	10.09	5.20	3.58	4.69	3.15	2.56	(4) 5/8"-11	5.50	2.21	I40300	10.1	IFKLEPP⊙I4⊙
3"	1.93	7.56	10.64	5.20	3.58	5.24	3.66	3.15	(8) 5/8"-11	6.00	2.21	I40300	11.0	JFKLEPP⊙I4⊙
4"	2.20	7.56	11.19	5.36	3.58	5.79	4.21	3.94	(8) 5/8"-11	7.50	2.37	I40600	11.8	KFKLEPP⊙I4⊙
5"	2.52	8.73	12.74	6.30	4.75	6.57	4.72	4.92	(8) 3/4"-10	8.50	3.31	I42100	22.1	LFKLEPP⊙I4⊙
6"	2.76	8.73	13.26	6.30	4.75	7.09	5.28	5.91	(8) 3/4"-10	9.50	3.31	I42100	23.8	MFKLEPP⊙I4⊙
8"	2.80	8.73	15.11	6.30	4.75	8.94	6.34	7.87	(8) 3/4"-10	11.75	3.31	I42100	29.7	NFKLEPP⊙I4⊙

⊙ Seat: **E** = EPDM; **V** = Viton®. ⊙ Voltage: **A** = 120 VAC; **B** = 24 VDC.

FKL VALVE FEATURES

- Lug style butterfly valve.
- Polypropylene PP body, CPVC disc and stem.
- EPDM or Viton® seats.
- Mounting pad for direct mount actuator per ISO 5211.
- Pressure range: 150 PSI.

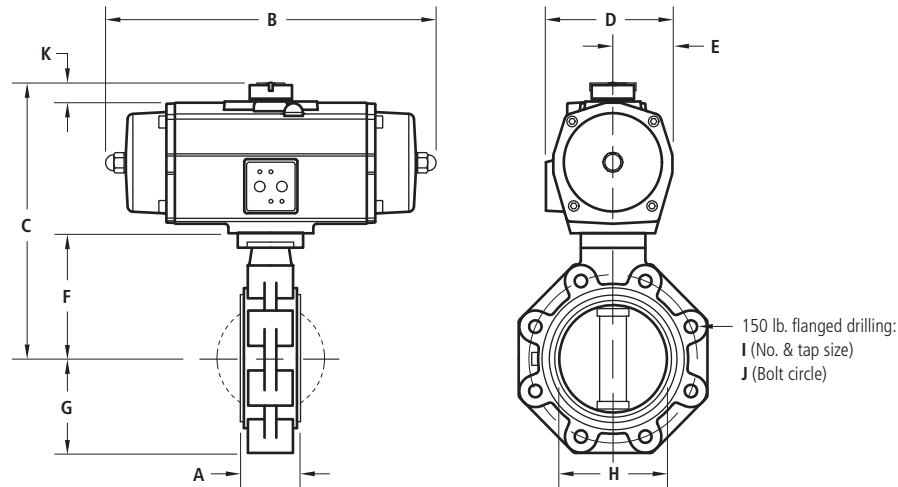
ELECTRIC ACTUATOR FEATURES

- I4 Series electric actuator.
- Weatherproof enclosure IP65.
- Voltages available: 115 VAC, 24 VAC/VDC.
- Duty cycle: 50%.
- IP65 electrical connectors.
- Space heater.
- Extra (2) SPDT adjustable limit switches.
- Temperature range: 0°F to 140°F.

FKLESR Series

Lug style butterfly valve with spring return pneumatic actuator

(Actuators are sized for 150 PSI liquid media line pressure, contact factory for higher line pressure ratings)



DIMENSIONS, WEIGHTS & SPECIFICATIONS

Size	A	B	C	D	E	F	G	H	I	J	K	Actuator	Wt. (lbs.)	Model No.
80 psig Minimum Actuator Air Supply = 85														
2-1/2"	1.81	8.03	9.14	3.78	1.70	4.69	3.15	2.56	(4) 5/8"-11	5.50	.79	ES40-5	7.5	IFKLEPP⊙E8S
3"	1.93	9.80	10.16	4.19	1.93	5.24	3.66	3.15	(8) 5/8"-11	6.00	.79	ES65-5	11.0	JFKLEPP⊙E8S
4"	2.20	14.17	12.21	5.39	2.52	5.79	4.21	3.94	(8) 5/8"-11	7.50	.79	ES200-5	24.0	KFKLEPP⊙E8S
5"	2.52	14.17	12.99	5.39	2.52	6.57	4.72	4.92	(8) 3/4"-10	8.50	.79	ES200-5	25.7	LFKLEPP⊙E8S
6"	2.76	15.24	15.01	7.12	3.41	7.09	5.28	5.91	(8) 3/4"-10	9.50	.79	ES350-5	44.6	MFKLEPP⊙E8S
8"	2.80	15.24	16.86	7.12	3.41	8.94	6.34	7.87	(8) 3/4"-10	11.75	.79	ES350-5	50.5	NFKLEPP⊙E8S
10"	4.49	20.35	21.14	9.51	4.54	9.76	8.27	9.84	(12) 7/8"-9	14.25	1.18	ES950-5	112.1	OFKLEPP⊙E8S
12"	4.49	25.08	24.88	10.81	5.21	12.01	9.65	11.81	(12) 7/8"-9	17.00	1.18	ES1600-5	187.0	PFKLEPP⊙E8S
60 psig Minimum Actuator Air Supply = 65														
2-1/2"	1.81	8.03	9.29	3.78	1.70	4.69	3.15	2.56	(4) 5/8"-11	5.50	.79	ES40-3	7.5	IFKLEPP⊙E6S
3"	1.93	9.80	10.51	4.19	1.93	5.24	3.66	3.15	(4) 5/8"-11	6.00	.79	ES65-3	11.0	JFKLEPP⊙E6S
4"	2.20	14.17	12.40	5.39	2.52	5.79	4.21	3.94	(8) 5/8"-11	7.50	.79	ES200-3	24.0	KFKLEPP⊙E6S
5"	2.52	14.17	13.35	5.39	2.52	6.57	4.72	4.92	(8) 3/4"-10	8.50	.79	ES200-3	25.7	LFKLEPP⊙E6S
6"	2.76	15.24	15.36	7.12	3.41	7.09	5.28	5.91	(8) 3/4"-10	9.50	.79	ES350-3	44.6	MFKLEPP⊙E6S
8"	2.80	15.24	16.38	7.12	3.41	8.94	6.34	7.87	(8) 3/4"-10	11.75	.79	ES350-3	50.5	NFKLEPP⊙E6S
10"	4.49	20.35	21.14	9.51	4.54	9.76	8.27	9.84	(12) 7/8"-9	14.25	1.18	ES950-3	112.1	OFKLEPP⊙E6S
12"	4.49	25.08	24.88	10.81	5.21	12.01	9.65	11.81	(12) 7/8"-9	17.00	1.18	ES1600-3	187.0	PFKLEPP⊙E6S

⊙ Seat: E = EPDM; V = Viton®.

FKL VALVE FEATURES

- Lug style butterfly valve.
- Polypropylene PP body, CPVC disc and stem.
- EPDM or Viton® seats.
- Mounting pad for direct mount actuator per ISO 5211.
- Pressure range: 150 PSI: 2-1/2" to 10", 120 PSI: 12".

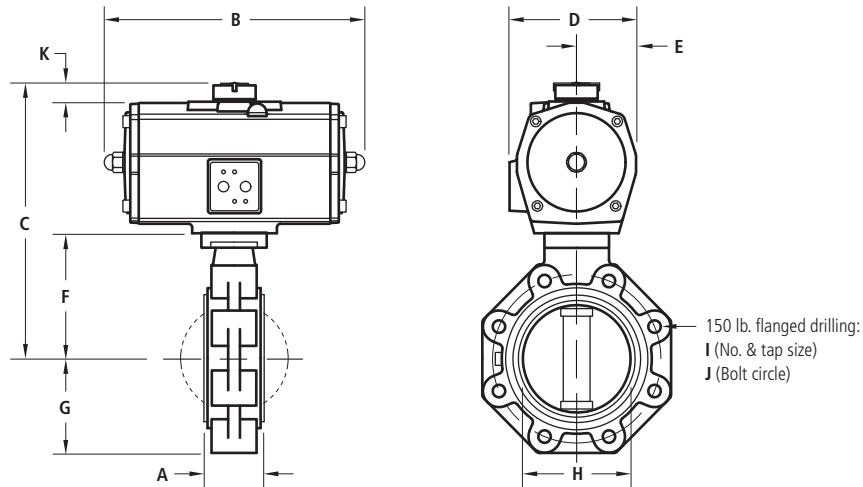
PNEUMATIC ACTUATOR FEATURES

- E Series spring return rack and pinion actuator.
- Corrosion resistant coating.
- NAMUR solenoid mounting pad, ISO 5211 mounting standard.
- Visual position indicator.
- High duty cycle, permanent lubrication.
- Temperature range: -4°F to 175°F.

FKLEDA Series

Lug style butterfly valve with double acting pneumatic actuator

(Actuators are sized for 150 PSI liquid media line pressure, contact factory for higher line pressure ratings)



DIMENSIONS, WEIGHTS & SPECIFICATIONS

Size	A	B	C	D	E	F	G	H	I	J	K	Actuator	Wt. (lbs.)	Model No.
80 psig Minimum Actuator Air Supply = 8D														
2-1/2"	1.81	6.26	8.63	3.26	1.46	4.69	3.15	2.56	(4) 5/8"-11	5.50	.79	ED25	5.1	IFKLEPP⊙E8D
3"	1.93	7.83	10.16	4.19	1.93	5.24	3.66	3.15	(8) 5/8"-11	6.00	.79	ED65	8.4	JFKLEPP⊙E8D
4"	2.20	7.83	10.71	4.19	1.93	5.79	4.21	3.94	(8) 5/8"-11	7.50	.79	ED65	9.2	KFKLEPP⊙E8D
5"	2.52	8.70	12.01	4.60	2.12	6.57	4.72	4.92	(8) 3/4"-10	8.50	.79	ED100	12.4	LFKLEPP⊙E8D
6"	2.76	11.14	13.51	5.39	2.52	7.09	5.28	5.91	(8) 3/4"-10	9.50	.79	ED200	20.1	MFKLEPP⊙E8D
8"	2.80	11.14	15.36	5.39	2.52	8.94	6.34	7.87	(8) 3/4"-10	11.75	.79	ED200	26.0	NFKLEPP⊙E8D
10"	4.49	12.01	17.68	7.12	3.41	9.76	8.27	9.84	(12) 7/8"-9	14.25	.79	ED350	49.4	OFKLEPP⊙E8D
12"	4.49	15.24	21.85	8.52	4.08	12.01	9.65	11.81	(12) 7/8"-9	17.00	1.18	ED600	84.7	PFKLEPP⊙E8D
60 psig Minimum Actuator Air Supply = 6D														
2-1/2"	1.81	6.26	8.63	3.26	1.46	4.69	3.15	2.56	(4) 5/8"-11	5.50	.79	ED25	5.1	IFKLEPP⊙E6D
3"	1.93	7.09	9.69	3.78	1.70	5.24	3.66	3.15	(8) 5/8"-11	6.00	.79	ED40	7.1	JFKLEPP⊙E6D
4"	2.20	8.70	11.23	4.60	2.12	5.79	4.21	3.94	(8) 5/8"-11	7.50	.79	ED100	10.7	KFKLEPP⊙E6D
5"	2.52	8.70	12.01	4.60	2.12	6.57	4.72	4.92	(8) 3/4"-10	8.50	.79	ED100	12.4	LFKLEPP⊙E6D
6"	2.76	11.14	13.51	5.39	2.52	7.09	5.28	5.91	(8) 3/4"-10	9.50	.79	ED200	20.1	MFKLEPP⊙E6D
8"	2.80	12.01	16.86	7.12	3.41	8.94	6.34	7.87	(8) 3/4"-10	11.75	.79	ED350	36.1	NFKLEPP⊙E6D
10"	4.49	15.24	19.60	8.52	4.08	9.76	8.27	9.84	(12) 7/8"-9	14.25	1.18	ED600	69.3	OFKLEPP⊙E6D
12"	4.49	15.24	21.85	8.52	4.08	12.01	9.65	11.81	(12) 7/8"-9	17.00	1.18	ED600	84.7	PFKLEPP⊙E6D

⊙ Seat: E = EPDM; V = Viton®.

FKL VALVE FEATURES

- Lug style butterfly valve.
- Polypropylene PP body, CPVC disc and stem.
- EPDM or Viton® seats.
- Mounting pad for direct mount actuator per ISO 5211.
- Pressure range: 150 PSI: 2-1/2" to 10", 120 PSI: 12".

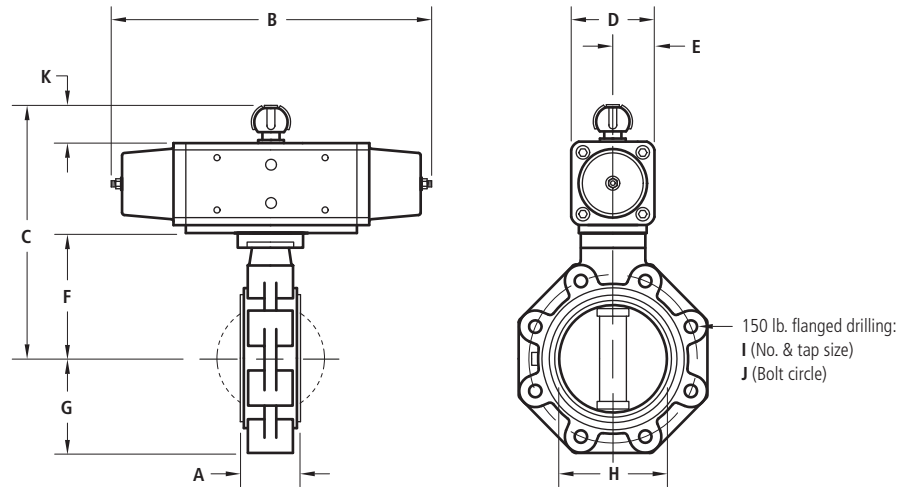
PNEUMATIC ACTUATOR FEATURES

- E Series double acting rack and pinion actuator.
- Corrosion resistant coating.
- NAMUR solenoid mounting pad, ISO 5211 mounting standard.
- Visual position indicator.
- High duty cycle, permanent lubrication.
- Temperature range: -4°F to 175°F.

FKLOSR Series

Lug style butterfly valve with spring return pneumatic actuator

(Actuators are sized for 150 PSI liquid media line pressure, contact factory for higher line pressure ratings)



DIMENSIONS, WEIGHTS & SPECIFICATIONS

Size	A	B	C	D	E	F	G	H	I	J	K	Actuator	Wt. (lbs.)	Model No.
80 psig Minimum Actuator Air Supply = 85														
2-1/2"	1.81	9.45	10.31	2.56	1.28	4.69	3.15	2.56	(4) 5/8"-11	5.50	.79	PS030	6.6	IFKLEPP008S
3"	1.93	12.60	11.06	3.15	1.57	5.24	3.66	3.15	(8) 5/8"-11	6.00	1.18	PS060	10.8	JFKLEPP008S
4"	2.20	14.06	11.51	3.54	1.77	5.79	4.21	3.94	(8) 5/8"-11	7.50	1.18	PS090	14.0	KFKLEPP008S
5"	2.52	14.65	13.70	3.94	1.97	6.57	4.72	4.92	(8) 3/4"-10	8.50	1.18	PS120	20.3	LFKLEPP008S
6"	2.76	17.18	14.41	4.41	2.20	7.09	5.28	5.91	(8) 3/4"-10	9.50	1.18	PS180	28.0	MFKLEPP008S
60 psig Minimum Actuator Air Supply = 65														
2-1/2"	1.81	9.45	10.31	2.56	1.28	4.69	3.15	2.56	(4) 5/8"-11	5.50	.79	PS030	6.6	IFKLEPP006S
3"	1.93	14.06	10.20	3.54	1.77	5.24	3.66	3.15	(8) 5/8"-11	6.00	1.18	PS090	13.2	JFKLEPP006S
4"	2.20	14.65	11.14	3.94	1.97	5.79	4.21	3.94	(8) 5/8"-11	7.50	1.18	PS120	18.6	KFKLEPP006S
5"	2.52	17.18	12.39	4.41	2.20	6.57	4.72	4.92	(8) 3/4"-10	8.50	1.18	PS180	26.3	LFKLEPP006S

⊙ Seat: E = EPDM; V = Viton®.

FKL VALVE FEATURES

- Lug style butterfly valve.
- Polypropylene PP body, CPVC disc and stem.
- EPDM or Viton® seats.
- Mounting pad for direct mount actuator per ISO 5211.
- Pressure range: 150 PSI.

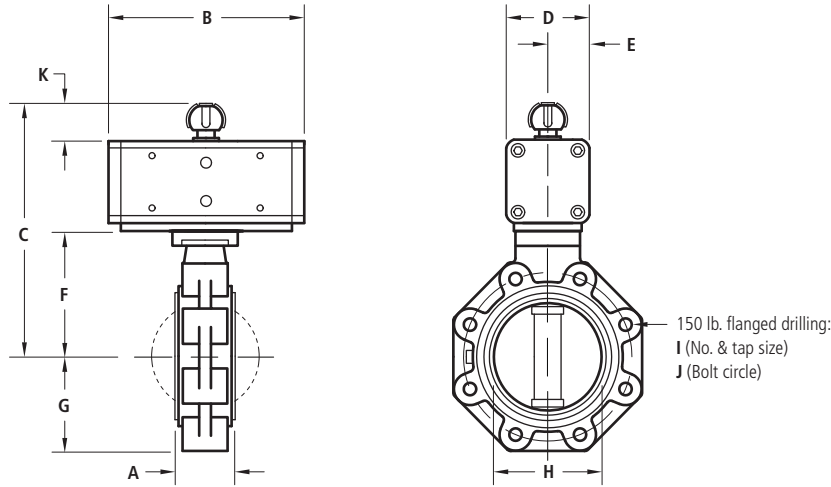
PNEUMATIC ACTUATOR FEATURES

- O Series spring return pneumatic actuator.
- Corrosion resistant coating.
- NAMUR solenoid mounting pad, ISO 5211 mounting standard.
- Visual position indicators.
- High duty cycle, permanent lubrication.
- Temperature range: -4°F to 175°F.

FKLODA Series

Lug style butterfly valve with double acting pneumatic actuator

(Actuators are sized for 150 PSI liquid media line pressure, contact factory for higher line pressure ratings)



DIMENSIONS, WEIGHTS & SPECIFICATIONS

Size	A	B	C	D	E	F	G	H	I	J	K	Actuator	Wt. (lbs.)	Model No.
80 psig Minimum Actuator Air Supply = 8D														
2-1/2"	1.81	5.67	8.06	2.36	1.18	4.69	3.15	2.56	(4) 5/8"-11	5.50	.79	PD045	5.0	IFKLEPP008D
3"	1.93	6.65	9.08	2.83	1.41	5.24	3.66	3.15	(8) 5/8"-11	6.00	.79	PD090	7.2	JFKLEPP008D
4"	2.20	6.65	9.63	2.83	1.41	5.79	4.21	3.94	(8) 5/8"-11	7.50	.79	PD090	8.0	KFKLEPP008D
5"	2.52	8.35	11.53	3.54	1.77	6.57	4.72	4.92	(8) 3/4"-10	8.50	1.18	PD180	13.1	LFKLEPP008D
6"	2.76	8.35	12.05	3.54	1.77	7.09	5.28	5.91	(8) 3/4"-10	9.50	1.18	PD180	14.8	MFKLEPP008D
60 psig Minimum Actuator Air Supply = 6D														
2-1/2"	1.81	6.65	8.53	2.83	1.41	4.69	3.15	2.56	(4) 5/8"-11	5.50	.79	PD090	6.3	IFKLEPP006D
3"	1.93	6.65	9.08	2.83	1.41	5.24	3.66	3.15	(8) 5/8"-11	6.00	.79	PD090	7.2	JFKLEPP006D
4"	2.20	7.24	10.35	3.15	1.57	5.79	4.21	3.94	(8) 5/8"-11	7.50	1.18	PD120	10.1	KFKLEPP006D
5"	2.52	8.35	11.53	3.54	6.57	6.57	4.72	4.92	(8) 3/4"-10	8.50	1.18	PD180	13.1	LFKLEPP006D

⊙ Seat: **E** = EPDM; **V** = Viton®.

FKL VALVE FEATURES

- Lug style butterfly valve.
- Polypropylene PP body, CPVC disc and stem.
- EPDM or Viton® seats.
- Mounting pad for direct mount actuator per ISO 5211.
- Pressure range: 150 PSI.

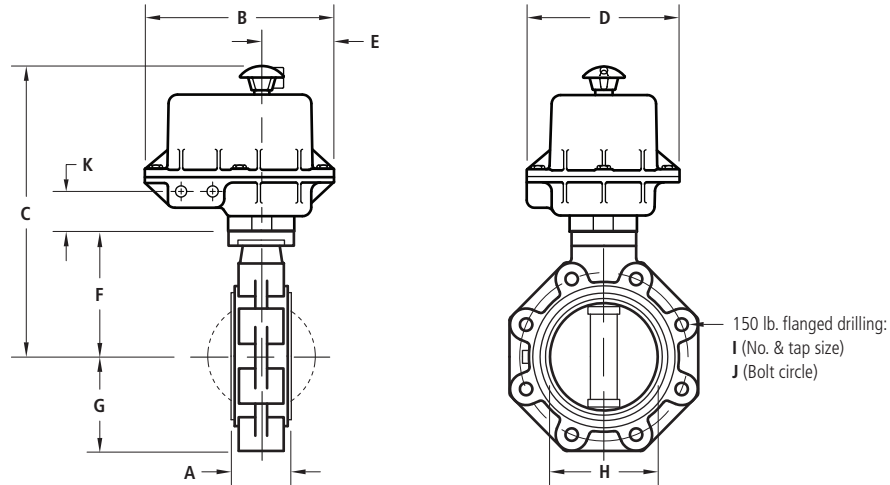
PNEUMATIC ACTUATOR FEATURES

- O Series double acting pneumatic actuator.
- Corrosion resistant coating.
- NAMUR solenoid mounting pad, ISO 5211 mounting standard.
- Visual position indicators.
- High duty cycle, permanent lubrication.
- Temperature range: -4°F to 175°F.

FKLB7 Series 2-1/2" to 6" Sizes

Lug style butterfly valve with explosion proof electric actuator, NEMA 7, 120 VAC

(Actuators are sized for 150 PSI liquid media line pressure, contact factory for higher line pressure ratings)



DIMENSIONS, WEIGHTS & SPECIFICATIONS

Size	A	B	C	D	E	F	G	H	I	J	K	Actuator	Wt. (lbs.)	Model No.
2-1/2"	1.81	9.75	14.13	7.75	3.75	4.69	3.15	2.56	(4) 5/8"-11	5.50	2.44	BEEM500F	20.2	IFKLEPP⊙B7
3"	1.93	9.75	14.68	7.75	3.75	5.24	3.66	3.15	(8) 5/8"-11	6.00	2.44	BEEM500F	21.1	JFKLEPP⊙B7
4"	2.20	9.75	15.23	7.75	3.75	5.79	4.21	3.94	(8) 5/8"-11	7.50	2.44	BEEM500F	21.9	KFKLEPP⊙B7
5"	2.52	9.75	16.01	7.75	3.75	6.57	4.72	4.92	(8) 3/4"-10	8.50	2.44	BEEM500F	23.6	LFKLEPP⊙B7
6"	2.76	9.75	16.53	7.75	3.75	7.09	5.28	5.91	(8) 3/4"-10	9.50	2.44	BEEM500F	25.3	MFKLEPP⊙B7

⊙ Seat: E = EPDM; V = Viton®.

FKL VALVE FEATURES

- Lug style butterfly valve.
- Polypropylene PP body, CPVC disc and stem.
- EPDM or Viton® seats.
- Mounting pad for direct mount actuator per ISO 5211.
- Pressure range: 150 PSI.

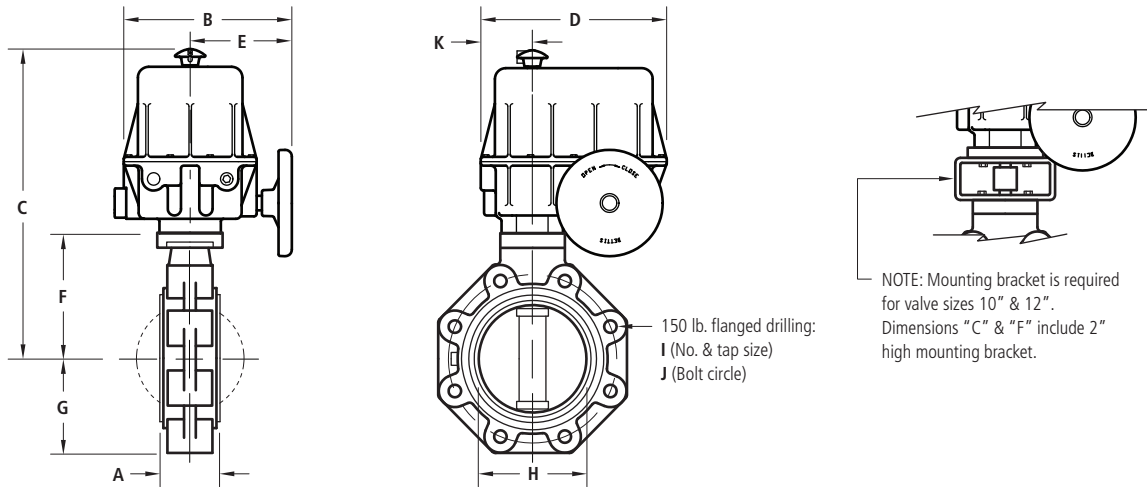
ELECTRIC ACTUATOR FEATURES

- B7 Series electric actuator.
- Actuator speed: 15 sec.
- NEMA 4, 4x, 7 and 9; CSA approved.
- Weatherproof.
- Class I Groups C and D, Div. 1.
- Class II Groups E, F and G.
- (2) 1/2" NPT conduit entries.
- Manual override.
- Visual position indicator.
- CSA certified.
- Temperature range: 0°F to 160°F.

FKLB7 Series 8" to 12" Sizes

Lug style butterfly valve with explosion proof electric actuator, NEMA 7, 120 VAC

(Actuators are sized for 150 PSI liquid media line pressure, contact factory for higher line pressure ratings)



DIMENSIONS, WEIGHTS & SPECIFICATIONS

Size	A	B	C	D	E	F	G	H	I	J	K	Actuator	Wt. (lbs.)	Model No.
8"	2.80	13.31	24.32	14.00	7.62	8.94	6.34	7.87	(8) 3/4"-10	11.75	3.88	BEEM800F	173.2	NFKLEPP⊙B7
10"	4.49	13.31	27.14	14.00	7.62	9.76	8.27	9.84	(12) 7/8"-9	14.25	3.88	BEEM800F	186.5	OFKLEPP⊙B7
12"	4.49	13.31	29.39	14.00	7.62	12.01	9.65	11.81	(12) 7/8"-9	17.00	3.88	BEEM800F	201.9	PFKLEPP⊙B7

⊙ Seat: E = EPDM; V = Viton®.

FKL VALVE FEATURES

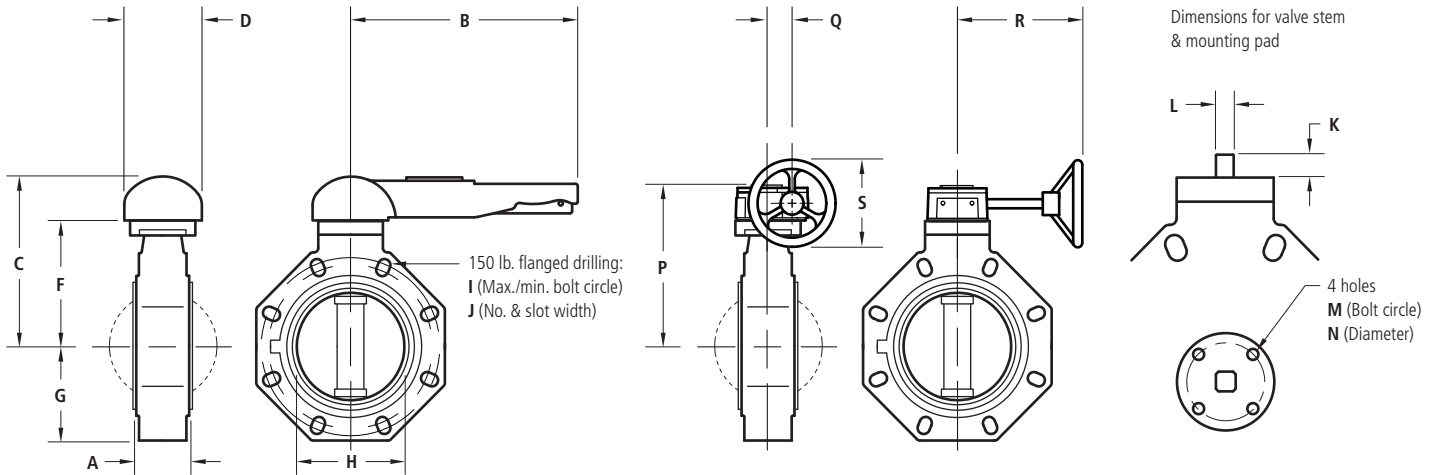
- Lug style butterfly valve.
- Polypropylene PP body, CPVC disc and stem.
- EPDM or Viton® seats.
- Mounting pad for direct mount actuator per ISO 5211.
- Pressure range: 150 PSI: 8" to 10", 120 PSI: 12".

ELECTRIC ACTUATOR FEATURES

- B7 Series electric actuator.
- Actuator speed: 18 sec.
- NEMA 4, 7 and 9; CSA approved.
- Weatherproof.
- Class I Groups C and D, Div. 1.
- Class II Groups E, F and G.
- (2) 1/2" NPT conduit entries.
- Manual override.
- Visual position indicator.
- CSA certified.
- Temperature range: 0°F to 160°F.

FKWM / FKWG Series

Wafer style butterfly valve with latch handle (FKWM) or gear operator (FKWG)
(Manual operation)



DIMENSIONS, WEIGHTS & SPECIFICATIONS

Size	A	B	C	D	F	G	H	I (max.)	I (min.)	J	Wt.* (lbs.)	Model No.
1-1/2"	1.30	6.81	5.39	3.94	4.17	2.36	1.57	4.29	3.90	(4) .75	2.8	GFKWEPPOM
2"	1.69	6.81	5.63	3.94	4.41	2.76	1.97	4.94	4.53	(4) .75	3.0	HFKEWPPOM
2-1/2"	1.81	10.71	6.46	4.33	4.69	3.15	2.56	5.67	5.04	(4) .75	3.5	IFKEWPPOM
3"	1.93	10.71	7.01	4.33	5.24	3.66	3.15	6.30	5.71	(8) .75	4.1	JFKEWPPOM
4"	2.20	10.71	7.56	4.33	5.79	4.21	3.94	7.48	6.50	(8) .75	4.9	KFKEWPPOM
5"	2.52	12.99	8.35	4.33	6.57	4.72	4.92	8.46	8.03	(8) .91	6.8	LFKEWPPOM
6"	2.76	12.99	8.86	4.33	7.09	5.28	5.91	9.53	9.06	(8) .91	8.5	MFKEWPPOM
8"	2.80	16.54	10.71	4.80	8.94	6.34	7.87	11.73	11.02	(8) .91	14.9	NFKEWPPOM
10"	4.49	-	-	-	9.76	8.27	9.84	14.25	13.19	(12) 1.00	-	-
12"	4.49	-	-	-	12.01	9.65	11.81	17.01	15.35	(12) 1.14	-	-

* Weight includes handle. ○ Seat: E = EPDM; V = Viton®.

MOUNTING DIMENSIONS & SPECIFICATIONS

Size	K	L	ISO	M	N
1-1/2"	0.47	0.43	F05	1.97	0.28
2"	0.47	0.43	F05	1.97	0.28
2-1/2"	0.47	0.43	F05 / F07	1.97 / 2.76	0.28 / 0.35
3"	0.63	0.55	F07	2.76	0.35
4"	0.63	0.55	F07	2.76	0.35
5"	0.75	0.67	F07	2.76	0.35
6"	0.75	0.67	F07	2.76	0.35
8"	0.94	0.87	F10	4.02	0.43
10"	1.14	1.06	F10 / F12 / F14	4.02 / 4.92 / 5.51	0.43 / 0.51 / 0.67
12"	1.14	1.06	F10 / F12 / F14	4.02 / 4.92 / 5.51	0.43 / 0.51 / 0.67

ADDITIONAL DIMENSIONS & SPECIFICATIONS

Size	P	Q	R	S	Wt.* (lbs.)	Model No.
1-1/2"	-	-	-	-	-	-
2"	-	-	-	-	-	-
2-1/2"	6.85	1.54	5.31	4.92	5.3	IFKEWPPOG
3"	7.40	1.54	5.31	4.92	6.2	JFKEWPPOG
4"	7.95	1.54	5.31	4.92	6.9	KFKEWPPOG
5"	8.74	1.54	5.67	7.87	9.8	LFKEWPPOG
6"	9.25	1.54	5.67	7.87	11.5	MFKEWPPOG
8"	11.30	2.36	8.03	7.87	20.5	NFKEWPPOG
10"	12.48	2.99	9.29	9.84	41.0	OFKEWPPOG
12"	14.72	2.99	9.29	9.84	56.4	PFKEWPPOG

* Weight includes gear operator. ○ Seat: E = EPDM; V = Viton®.

FKW VALVE FEATURES

- Wafer style butterfly valve.
- Polypropylene PP body, CPVC disc and stem.
- EPDM or Viton® seats.
- Mounting pad for direct mount actuator per ISO 5211.
- Pressure range: 150 PSI: 1-1/2" to 10", 120 PSI: 12".

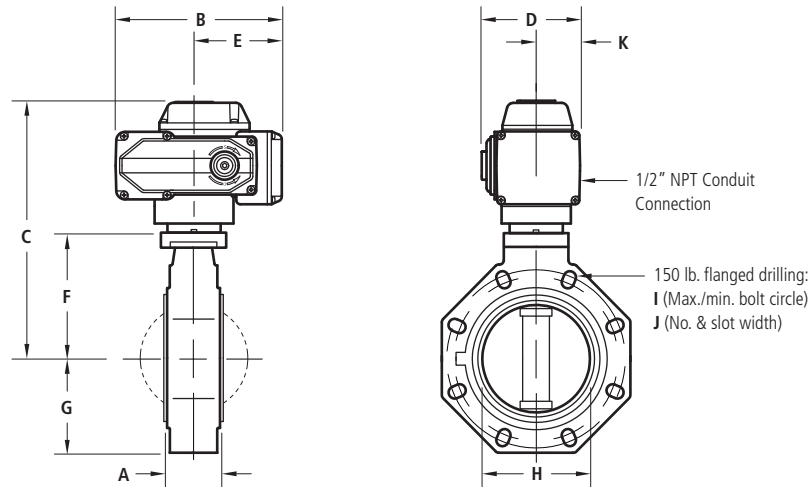
LEVER HANDLE FEATURES

- Adjustable locking device.

FKWK4 Series

Wafer style butterfly valve with electric actuator

(Actuators are sized for 150 PSI liquid media line pressure, contact factory for higher line pressure ratings)



DIMENSIONS, WEIGHTS & SPECIFICATIONS

Size	A	B	C	D	E	F	G	H	I (max.)	I (min.)	J	K	Actuator	Wt. (lbs.)	Model No.
1-1/2"	1.30	6.25	8.27	4.50	3.00	4.17	2.36	1.57	4.29	3.90	(4) .75	2.00	UNIC05	5.9	GFKWEPP⊙K4
2"	1.69	6.25	8.51	4.50	3.00	4.41	2.76	1.97	4.94	4.53	(4) .75	2.00	UNIC05	6.3	HFKWEPP⊙K4
2-1/2"	1.81	6.25	8.79	4.50	3.00	4.69	3.15	2.56	5.67	5.04	(4) .75	2.00	UNIC05	6.8	IFKWEPP⊙K4
3"	1.93	6.25	9.34	4.50	3.00	5.24	3.66	3.15	6.30	5.71	(8) .75	2.00	UNIC05	7.7	JFKWEPP⊙K4
4"	2.20	8.17	12.23	4.82	4.33	5.79	4.21	3.94	7.48	6.50	(8) .75	2.14	UNIC10	13.9	KFKWEPP⊙K4
5"	2.52	8.17	13.01	4.82	4.33	6.57	4.72	4.92	8.46	8.03	(8) .91	2.14	UNIC10	15.6	LFKWEPP⊙K4
6"	2.76	10.10	14.37	8.16	5.25	7.09	5.28	5.91	9.53	9.06	(8) .91	2.48	UNIC20	25.3	MFKWEPP⊙K4
8"	2.80	10.10	16.22	8.16	5.25	8.94	6.34	7.87	11.73	11.02	(8) .91	2.48	UNIC20	31.2	NFKWEPP⊙K4
10"	4.49	15.00	18.97	9.53	7.85	9.76	8.27	9.84	14.25	13.19	(12) 1.00	4.13	UNIC60	70.7	OFKWEPP⊙K4
12"	4.49	15.00	21.22	9.53	7.85	12.01	9.65	11.81	17.01	15.35	(12) 1.14	4.13	UNIC60	88.1	PFKWEPP⊙K4

⊙ Seat: **E** = EPDM; **V** = Viton®.

FKW VALVE FEATURES

- Wafer style butterfly valve.
- Polypropylene PP body, CPVC disc and stem.
- EPDM or Viton® seats.
- Mounting pad for direct mount actuator per ISO 5211.
- Pressure range: 150 PSI: 1-1/2" to 10", 120 PSI: 12".

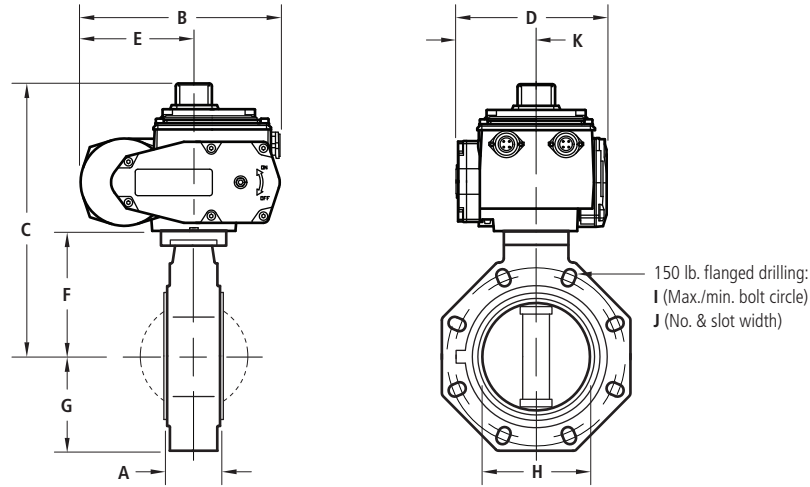
ELECTRIC ACTUATOR FEATURES

- K Series electric actuator.
- Actuator speed: 25 sec.
- Most voltages available.
- Quarter turn: 0-90° rotation.
- NEMA 4/4X certified by UL labs.
- ISO 5211 mounting standard.
- Visual position indicator.
- Self-locking drive train.
- Mounts in any direction.
- 1/2" NPT conduit connection.
- CSA-NRTL/C and CE certified.
- Temperature range: 0°F to 160°F.

FKWI4 Series

Wafer style butterfly valve with electric actuator NEMA 4, 4X

(Actuators are sized for 150 PSI liquid media line pressure, contact factory for higher line pressure ratings)



DIMENSIONS, WEIGHTS & SPECIFICATIONS

Size	A	B	C	D	E	F	G	H	I (max.)	I (min.)	J	K	Actuator	Wt. (lbs.)	Model No.
1-1/2"	1.30	7.56	9.57	5.20	3.58	4.17	2.36	1.57	4.29	3.90	(4).75	2.21	I40300	9.2	GFKWEPP⊙I4⊙
2"	1.69	7.56	9.81	5.20	3.58	4.41	2.76	1.97	4.94	4.53	(4).75	2.21	I40300	9.6	HFKEWPP⊙I4⊙
2-1/2"	1.81	7.56	10.09	5.20	3.58	4.69	3.15	2.56	5.67	5.04	(4).75	2.21	I40300	10.1	IFKEWPP⊙I4⊙
3"	1.93	7.56	10.64	5.20	3.58	5.24	3.66	3.15	6.30	5.71	(8).75	2.21	I40300	11.0	JFKWEPP⊙I4⊙
4"	2.20	7.56	11.19	5.36	3.58	5.79	4.21	3.94	7.48	6.50	(8).75	2.37	I40600	11.8	KFKWEPP⊙I4⊙
5"	2.52	8.73	12.74	6.30	4.75	6.57	4.72	4.92	8.46	8.03	(8).91	3.31	I42100	22.1	LFKEWPP⊙I4⊙
6"	2.76	8.73	13.26	6.30	4.75	7.09	5.28	5.91	9.53	9.06	(8).91	3.31	I42100	23.8	MFKEWPP⊙I4⊙
8"	2.80	8.73	15.11	6.30	4.75	8.94	6.34	7.87	11.73	11.02	(8).91	3.31	I42100	29.7	NFKWEPP⊙I4⊙

⊙ Seat: E = EPDM; V = Viton®. ⊙ Voltage: A = 120 VAC; B = 24 VDC.

FKW VALVE FEATURES

- Wafer style butterfly valve.
- Polypropylene PP body, CPVC disc and stem.
- EPDM or Viton® seats.
- Mounting pad for direct mount actuator per ISO 5211.
- Pressure range: 150 PSI.

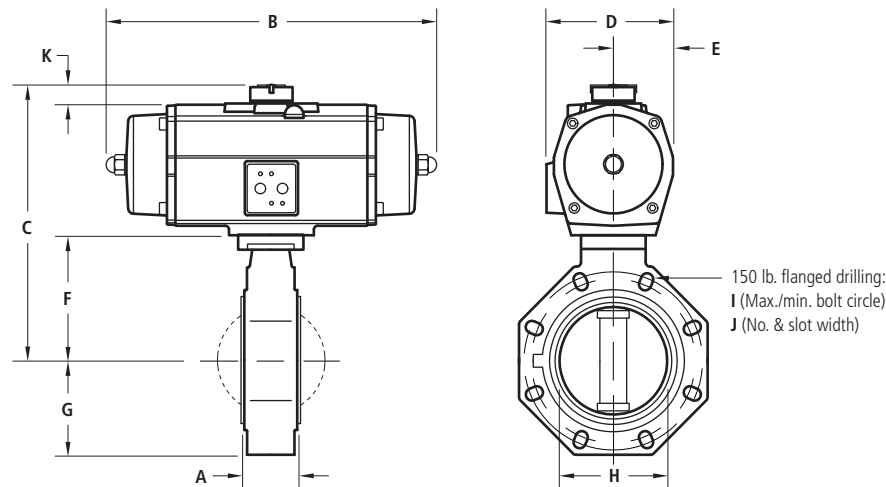
ELECTRIC ACTUATOR FEATURES

- I4 Series electric actuator.
- Weatherproof enclosure IP65.
- Voltages available: 115 VAC, 24 VAC/VDC.
- Duty cycle: 50%.
- IP65 electrical connectors.
- Space heater.
- Extra (2) SPDT adjustable limit switches.
- Temperature range: 0°F to 140°F.

FKWESR Series

Wafer style butterfly valve with spring return pneumatic actuator

(Actuators are sized for 150 PSI liquid media line pressure, contact factory for higher line pressure ratings)



DIMENSIONS, WEIGHTS & SPECIFICATIONS

Size	A	B	C	D	E	F	G	H	I (max.)	I (min.)	J	K	Actuator	Wt. (lbs.)	Model No.
80 psig Minimum Actuator Air Supply = 85															
1-1/2"	1.30	6.77	8.11	3.26	1.46	4.17	2.36	1.57	4.29	3.90	(4) .75	.79	ES25-5	5.0	GFKWEPP⊙E8S
2"	1.69	6.77	8.35	3.26	1.46	4.41	2.76	1.97	4.94	4.53	(4) .75	.79	ES25-5	5.4	HFKWEPP⊙E8S
2-1/2"	1.81	8.03	9.14	3.78	1.70	4.69	3.15	2.56	5.67	5.04	(4) .75	.79	ES40-5	7.5	IFKWEPP⊙E8S
3"	1.93	9.80	10.16	4.19	1.93	5.24	3.66	3.15	6.30	5.71	(8) .75	.79	ES65-5	11.0	JFKWEPP⊙E8S
4"	2.20	14.17	12.21	5.39	2.52	5.79	4.21	3.94	7.48	6.50	(8) .75	.79	ES200-5	24.0	KFKWEPP⊙E8S
5"	2.52	14.17	12.99	5.39	2.52	6.57	4.72	4.92	8.46	8.03	(8) .91	.79	ES200-5	25.7	LFKWEPP⊙E8S
6"	2.76	15.24	15.01	7.12	3.41	7.09	5.28	5.91	9.53	9.06	(8) .91	.79	ES350-5	44.6	MFKWEPP⊙E8S
8"	2.80	15.24	16.86	7.12	3.41	8.94	6.34	7.87	11.73	11.02	(8) .91	.79	ES350-5	50.5	NFKWEPP⊙E8S
10"	4.49	20.35	21.14	9.51	4.54	9.76	8.27	9.84	14.25	13.19	(12) 1.00	1.18	ES950-5	112.1	OFKWEPP⊙E8S
12"	4.49	25.08	24.88	10.81	5.21	12.01	9.65	11.81	17.01	15.35	(12) 1.14	1.18	ES1600-5	187.0	PFKWEPP⊙E8S
60 psig Minimum Actuator Air Supply = 65															
1-1/2"	1.30	6.77	8.11	3.26	1.46	4.17	2.36	1.57	4.29	3.90	(4) .75	.79	ES25-3	5.0	GFKWEPP⊙E6S
2"	1.69	6.77	8.39	3.26	1.46	4.41	2.76	1.97	4.94	4.53	(4) .75	.79	ES25-3	5.4	HFKWEPP⊙E6S
2-1/2"	1.81	8.03	9.29	3.78	1.70	4.69	3.15	2.56	5.67	5.04	(4) .75	.79	ES40-3	7.5	IFKWEPP⊙E6S
3"	1.93	9.80	10.51	4.19	1.93	5.24	3.66	3.15	6.30	5.71	(4) .75	.79	ES65-3	11.0	JFKWEPP⊙E6S
4"	2.20	14.17	12.40	5.39	2.52	5.79	4.21	3.94	7.48	6.50	(8) .75	.79	ES200-3	24.0	KFKWEPP⊙E6S
5"	2.52	14.17	13.35	5.39	2.52	6.57	4.72	4.92	8.46	8.03	(8) .91	.79	ES200-3	25.7	LFKWEPP⊙E6S
6"	2.76	15.24	15.36	7.12	3.41	7.09	5.28	5.91	9.53	9.06	(8) .91	.79	ES350-3	44.6	MFKWEPP⊙E6S
8"	2.80	15.24	16.38	7.12	3.41	8.94	6.34	7.87	11.73	11.02	(8) .91	.79	ES350-3	50.5	NFKWEPP⊙E6S
10"	4.49	20.35	21.14	9.51	4.54	9.76	8.27	9.84	14.25	13.19	(12) 1.00	1.18	ES950-3	112.1	OFKWEPP⊙E6S
12"	4.49	25.08	24.88	10.81	5.21	12.01	9.65	11.81	17.01	15.35	(12) 1.14	1.18	ES1600-3	187.0	PFKWEPP⊙E6S

⊙ Seat: E = EPDM; V = Viton®.

FKW VALVE FEATURES

- Wafer style butterfly valve.
- Polypropylene PP body, CPVC disc and stem.
- EPDM or Viton® seats.
- Mounting pad for direct mount actuator per ISO 5211.
- Pressure range: 150 PSI: 1-1/2" to 10", 120 PSI: 12".

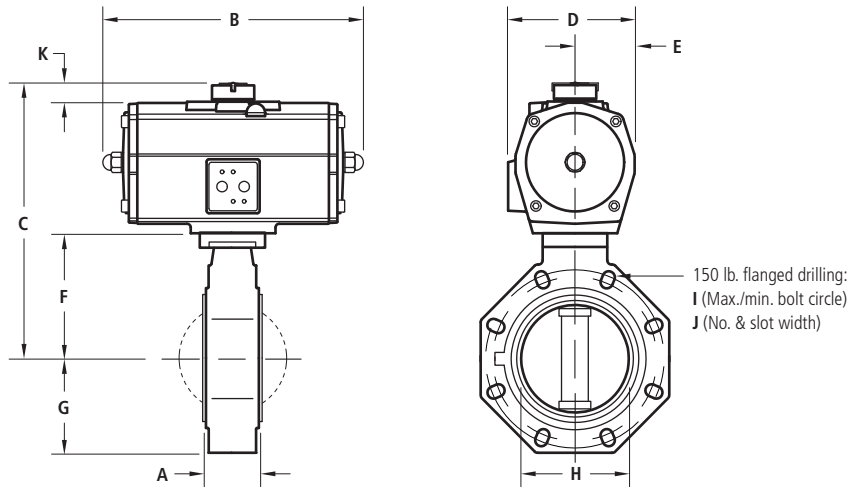
PNEUMATIC ACTUATOR FEATURES

- E Series spring return rack and pinion actuator.
- Corrosion resistant coating.
- NAMUR solenoid mounting pad, ISO 5211 mounting standard.
- Visual position indicator.
- High duty cycle, permanent lubrication.
- Temperature range: -4°F to 175°F.

FKWEDA Series

Wafer style butterfly valve with double acting pneumatic actuator

(Actuators are sized for 150 PSI liquid media line pressure, contact factory for higher line pressure ratings)



DIMENSIONS, WEIGHTS & SPECIFICATIONS

Size	A	B	C	D	E	F	G	H	I (max.)	I (min.)	J	K	Actuator	Wt. (lbs.)	Model No.
80 psig Minimum Actuator Air Supply = 8D															
1-1/2"	1.30	6.26	8.11	3.26	1.46	4.17	2.36	1.57	4.29	3.90	(4) .75	.79	ED25	4.2	GFKWEPP⊙E8D
2"	1.69	6.26	8.35	3.26	1.46	4.41	2.76	1.97	4.94	4.53	(4) .75	.79	ED25	4.6	HFKEWPP⊙E8D
2-1/2"	1.81	6.26	8.63	3.26	1.46	4.69	3.15	2.56	5.67	5.04	(4) .75	.79	ED25	5.1	IFKWEPP⊙E8D
3"	1.93	7.83	10.16	4.19	1.93	5.24	3.66	3.15	6.30	5.71	(8) .75	.79	ED65	8.4	JFKWEPP⊙E8D
4"	2.20	7.83	10.71	4.19	1.93	5.79	4.21	3.94	7.48	6.50	(8) .75	.79	ED65	9.2	KFKWEPP⊙E8D
5"	2.52	8.70	12.01	4.60	2.12	6.57	4.72	4.92	8.46	8.03	(8) .91	.79	ED100	12.4	LFKWEPP⊙E8D
6"	2.76	11.14	13.51	5.39	2.52	7.09	5.28	5.91	9.53	9.06	(8) .91	.79	ED200	20.1	MFKWEPP⊙E8D
8"	2.80	11.14	15.36	5.39	2.52	8.94	6.34	7.87	11.73	11.02	(8) .91	.79	ED200	26.0	NFKWEPP⊙E8D
10"	4.49	12.01	17.68	7.12	3.41	9.76	8.27	9.84	14.25	13.19	(12) 1.00	.79	ED350	49.4	OFKWEPP⊙E8D
12"	4.49	15.24	21.85	8.52	4.08	12.01	9.65	11.81	17.01	15.35	(12) 1.14	1.18	ED600	84.7	PFKWEPP⊙E8D
60 psig Minimum Actuator Air Supply = 6D															
1-1/2"	1.30	6.26	8.11	3.26	1.46	4.17	2.36	1.57	4.29	3.90	(4) .75	.79	ED25	4.2	GFKWEPP⊙E6D
2"	1.69	6.26	8.35	3.26	1.46	4.41	2.76	1.97	4.94	4.53	(4) .75	.79	ED25	4.6	HFKEWPP⊙E6D
2-1/2"	1.81	6.26	8.63	3.26	1.46	4.69	3.15	2.56	5.67	5.04	(4) .75	.79	ED25	5.1	IFKWEPP⊙E6D
3"	1.93	7.09	9.69	3.78	1.70	5.24	3.66	3.15	6.30	5.71	(8) .75	.79	ED40	7.1	JFKWEPP⊙E6D
4"	2.20	8.70	11.23	4.60	2.12	5.79	4.21	3.94	7.48	6.50	(8) .75	.79	ED100	10.7	KFKWEPP⊙E6D
5"	2.52	8.70	12.01	4.60	2.12	6.57	4.72	4.92	8.46	8.03	(8) .91	.79	ED100	12.4	LFKWEPP⊙E6D
6"	2.76	11.14	13.51	5.39	2.52	7.09	5.28	5.91	9.53	9.06	(8) .91	.79	ED200	20.1	MFKWEPP⊙E6D
8"	2.80	12.01	16.86	7.12	3.41	8.94	6.34	7.87	11.73	11.02	(8) .91	.79	ED350	36.1	NFKWEPP⊙E6D
10"	4.49	15.24	19.60	8.52	4.08	9.76	8.27	9.84	14.25	13.19	(12) 1.00	1.18	ED600	69.3	OFKWEPP⊙E6D
12"	4.49	15.24	21.85	8.52	4.08	12.01	9.65	11.81	17.01	15.35	(12) 1.14	1.18	ED600	84.7	PFKWEPP⊙E6D

⊙ Seat: E = EPDM; V = Viton®.

FKW VALVE FEATURES

- Wafer style butterfly valve.
- Polypropylene PP body, CPVC disc and stem.
- EPDM or Viton® seats.
- Mounting pad for direct mount actuator per ISO 5211.
- Pressure range: 150 PSI: 1-1/2" to 10", 120 PSI: 12".

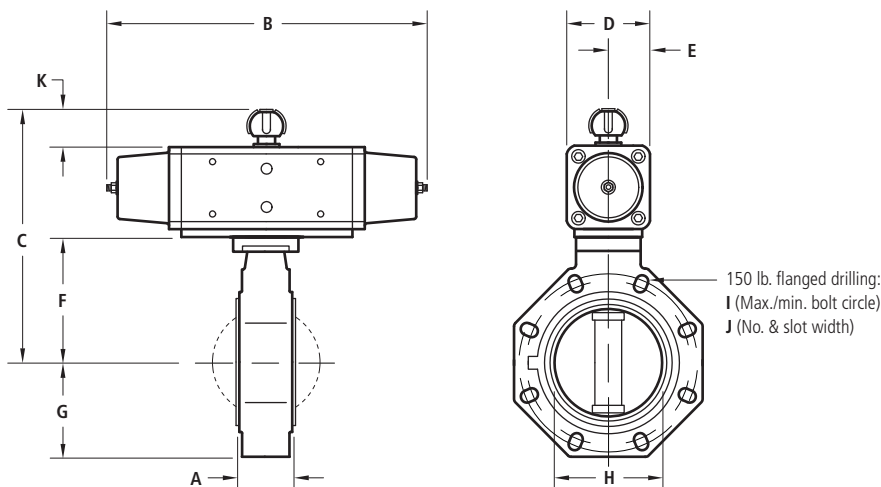
PNEUMATIC ACTUATOR FEATURES

- E Series double acting rack and pinion actuator.
- Corrosion resistant coating.
- NAMUR solenoid mounting pad, ISO 5211 mounting standard.
- Visual position indicator.
- High duty cycle, permanent lubrication.
- Temperature range: -4°F to 175°F.

FKWOSR Series

Wafer style butterfly valve with spring return pneumatic actuator

(Actuators are sized for 150 PSI liquid media line pressure, contact factory for higher line pressure ratings)



DIMENSIONS, WEIGHTS & SPECIFICATIONS

Size	A	B	C	D	E	F	G	H	I (max.)	I (min.)	J	K	Actuator	Wt. (lbs.)	Model No.
80 psig Minimum Actuator Air Supply = 85															
1-1/2"	1.30	9.45	8.11	2.56	1.28	4.17	2.36	1.57	4.29	3.90	(4) .75	.79	PS030	5.7	GFKWEPP008S
2"	1.69	9.45	8.35	2.56	1.28	4.41	2.76	1.97	4.94	4.53	(4) .75	.79	PS030	6.1	HFKWEPP008S
2-1/2"	1.81	9.45	10.31	2.56	1.28	4.69	3.15	2.56	5.67	5.04	(4) .75	.79	PS030	6.6	IFKWEPP008S
3"	1.93	12.60	11.06	3.15	1.57	5.24	3.66	3.15	6.30	5.71	(8) .75	1.18	PS060	10.8	JFKWEPP008S
4"	2.20	14.06	11.51	3.54	1.77	5.79	4.21	3.94	7.48	6.50	(8) .75	1.18	PS090	14.0	KFKWEPP008S
5"	2.52	14.65	13.70	3.94	1.97	6.57	4.72	4.92	8.46	8.03	(8) .91	1.18	PS120	20.3	LFKWEPP008S
6"	2.76	17.18	14.41	4.41	2.20	7.09	5.28	5.91	9.53	9.06	(8) .91	1.18	PS180	28.0	MFKWEPP008S
60 psig Minimum Actuator Air Supply = 65															
1-1/2"	1.30	9.45	8.11	2.56	1.28	4.17	2.36	1.57	4.29	3.90	(4) .75	.79	PS030	5.7	GFKWEPP006S
2"	1.69	9.45	8.35	2.56	1.28	4.41	2.76	1.97	4.94	4.53	(4) .75	.79	PS030	6.1	HFKWEPP006S
2-1/2"	1.81	9.45	10.31	2.56	1.28	4.69	3.15	2.56	5.67	5.04	(4) .75	.79	PS030	6.6	IFKWEPP006S
3"	1.93	14.06	10.20	3.54	1.77	5.24	3.66	3.15	6.30	5.71	(8) .75	1.18	PS090	13.2	JFKWEPP006S
4"	2.20	14.65	11.14	3.94	1.97	5.79	4.21	3.94	7.48	6.50	(8) .75	1.18	PS120	18.6	KFKWEPP006S
5"	2.52	17.18	12.39	4.41	2.20	6.57	4.72	4.92	8.46	8.03	(8) .91	1.18	PS180	26.3	LFKWEPP006S

⊙ Seat: E = EPDM; V = Viton®.

FKW VALVE FEATURES

- Wafer style butterfly valve.
- Polypropylene PP body, CPVC disc and stem.
- EPDM or Viton® seats.
- Mounting pad for direct mount actuator per ISO 5211.
- Pressure range: 150 PSI.

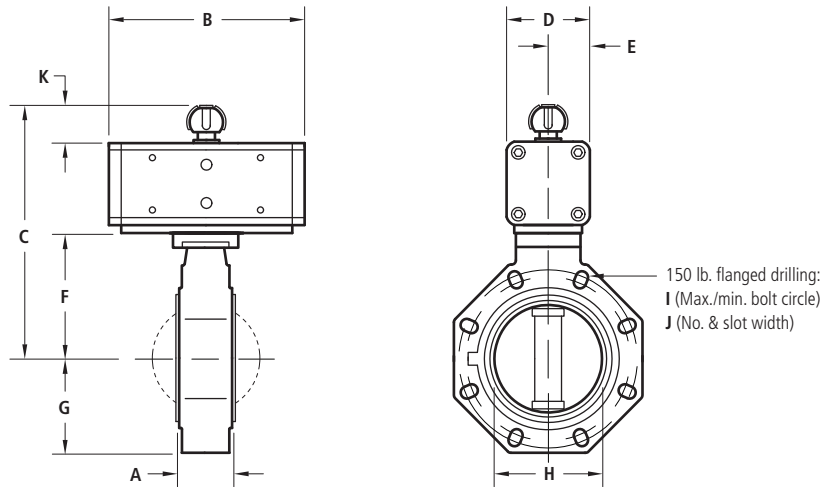
PNEUMATIC ACTUATOR FEATURES

- O Series spring return pneumatic actuator.
- Corrosion resistant coating.
- NAMUR solenoid mounting pad, ISO 5211 mounting standard.
- Visual position indicators.
- High duty cycle, permanent lubrication.
- Temperature range: -4°F to 175°F.

FKWODA Series

Wafer style butterfly valve with double acting pneumatic actuator

(Actuators are sized for 150 PSI liquid media line pressure, contact factory for higher line pressure ratings)



DIMENSIONS, WEIGHTS & SPECIFICATIONS

Size	A	B	C	D	E	F	G	H	I (max.)	I (min.)	J	K	Actuator	Wt. (lbs.)	Model No.
80 psig Minimum Actuator Air Supply = 8D															
1-1/2"	1.30	5.67	7.54	2.36	1.18	4.17	2.36	1.57	4.29	3.90	(4) .75	.79	PD045	4.1	GFKWEPP008D
2"	1.69	5.67	7.78	2.36	1.18	4.41	2.76	1.97	4.94	4.53	(4) .75	.79	PD045	4.5	HFKEWPP008D
2-1/2"	1.81	5.67	8.06	2.36	1.18	4.69	3.15	2.56	5.67	5.04	(4) .75	.79	PD045	5.0	IFKWEPP008D
3"	1.93	6.65	9.08	2.83	1.41	5.24	3.66	3.15	6.30	5.71	(8) .75	.79	PD090	7.2	JFKWEPP008D
4"	2.20	6.65	9.63	2.83	1.41	5.79	4.21	3.94	7.48	6.50	(8) .75	.79	PD090	8.0	KFKWEPP008D
5"	2.52	8.35	11.53	3.54	1.77	6.57	4.72	4.92	8.46	8.03	(8) .91	1.18	PD180	13.1	LFKWEPP008D
6"	2.76	8.35	12.05	3.54	1.77	7.09	5.28	5.91	9.53	9.06	(8) .91	1.18	PD180	14.8	MFKWEPP008D
60 psig Minimum Actuator Air Supply = 6D															
1-1/2"	1.30	6.65	8.01	2.83	1.41	4.17	2.36	1.57	4.29	3.90	(4) .75	.79	PD090	5.4	GFKWEPP006D
2"	1.69	6.65	8.25	2.83	1.41	4.41	2.76	1.97	4.94	4.53	(4) .75	.79	PD090	5.8	HFKEWPP006D
2-1/2"	1.81	6.65	8.53	2.83	1.41	4.69	3.15	2.56	5.67	5.04	(4) .75	.79	PD090	6.3	IFKWEPP006D
3"	1.93	6.65	9.08	2.83	1.41	5.24	3.66	3.15	6.30	5.71	(8) .75	.79	PD090	7.2	JFKWEPP006D
4"	2.20	7.24	10.35	3.15	1.57	5.79	4.21	3.94	7.48	6.50	(8) .75	1.18	PD120	10.1	KFKWEPP006D
5"	2.52	8.35	11.53	3.54	1.57	6.57	4.72	4.92	8.46	8.03	(8) .91	1.18	PD180	13.1	LFKWEPP006D

⊙ Seat: E = EPDM; V = Viton®.

FKW VALVE FEATURES

- Wafer style butterfly valve.
- Polypropylene PP body, CPVC disc and stem.
- EPDM or Viton® seats.
- Mounting pad for direct mount actuator per ISO 5211.
- Pressure range: 150 PSI.

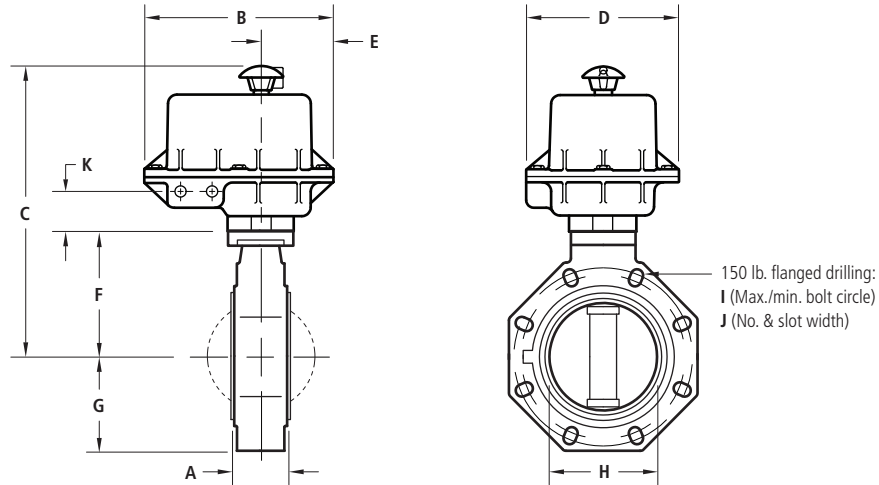
PNEUMATIC ACTUATOR FEATURES

- O Series double acting pneumatic actuator.
- Corrosion resistant coating.
- NAMUR solenoid mounting pad, ISO 5211 mounting standard.
- Visual position indicators.
- High duty cycle, permanent lubrication.
- Temperature range: -4°F to 175°F.

FKWB7 Series 1-1/2" to 6" Sizes

Wafer style butterfly valve with explosion proof electric actuator, NEMA 7, 120 VAC

(Actuators are sized for 150 PSI liquid media line pressure, contact factory for higher line pressure ratings)



DIMENSIONS, WEIGHTS & SPECIFICATIONS

Size	A	B	C	D	E	F	G	H	I (max.)	I (min.)	J	K	Actuator	Wt. (lbs.)	Model No.
1-1/2"	1.30	9.75	13.61	7.75	3.75	4.17	2.36	1.57	4.29	3.90	(4) .75	2.44	BEEM500F	19.3	GFKWEPP⊙B7
2"	1.69	9.75	13.85	7.75	3.75	4.41	2.76	1.97	4.94	4.53	(4) .75	2.44	BEEM500F	19.7	HFKWEPP⊙B7
2-1/2"	1.81	9.75	14.13	7.75	3.75	4.69	3.15	2.56	5.67	5.04	(4) .75	2.44	BEEM500F	20.2	IFKWEPP⊙B7
3"	1.93	9.75	14.68	7.75	3.75	5.24	3.66	3.15	6.30	5.71	(8) .75	2.44	BEEM500F	21.1	JFKWEPP⊙B7
4"	2.20	9.75	15.23	7.75	3.75	5.79	4.21	3.94	7.48	6.50	(8) .75	2.44	BEEM500F	21.9	KFKWEPP⊙B7
5"	2.52	9.75	16.01	7.75	3.75	6.57	4.72	4.92	8.46	8.03	(8) .91	2.44	BEEM500F	23.6	LFKWEPP⊙B7
6"	2.76	9.75	16.53	7.75	3.75	7.09	5.28	5.91	9.53	9.06	(8) .91	2.44	BEEM500F	25.3	MFKWEPP⊙B7

⊙ Seat: **E** = EPDM; **V** = Viton®.

FKW VALVE FEATURES

- Wafer style butterfly valve.
- Polypropylene PP body, CPVC disc and stem.
- EPDM or Viton® seats.
- Mounting pad for direct mount actuator per ISO 5211.
- Pressure range: 150 PSI.

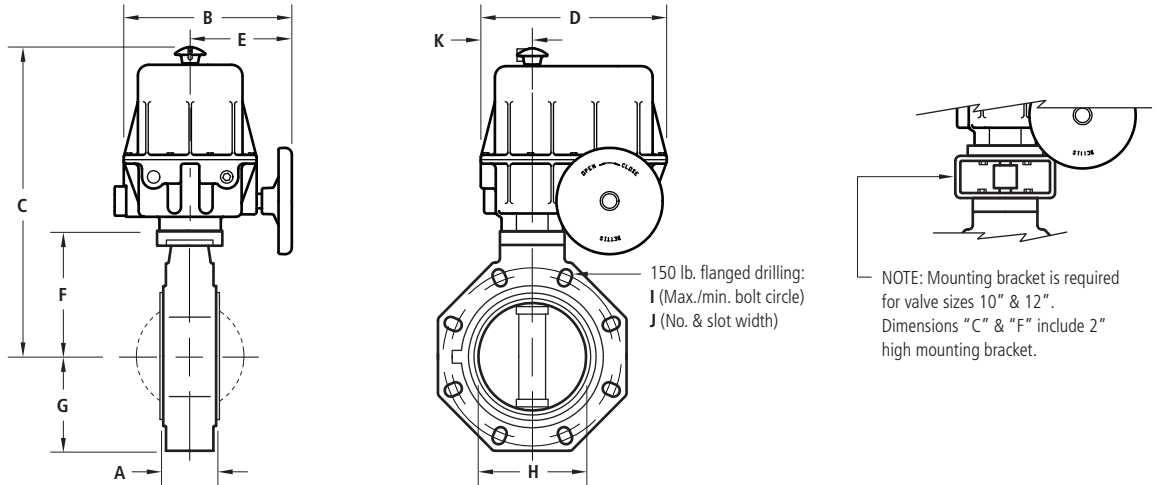
ELECTRIC ACTUATOR FEATURES

- B7 Series electric actuator.
- Actuator speed: 15 sec.
- NEMA 4, 4x, 7 and 9; CSA approved.
- Weatherproof.
- Class I Groups C and D, Div. 1.
- Class II Groups E, F and G.
- (2) 1/2" NPT conduit entries.
- Manual override.
- Visual position indicator.
- CSA certified.
- Temperature range: 0°F to 160°F.

FKWB7 Series 8" to 12" Sizes

Wafer style butterfly valve with explosion proof electric actuator, NEMA 7, 120 VAC

(Actuators are sized for 150 PSI liquid media line pressure, contact factory for higher line pressure ratings)



DIMENSIONS, WEIGHTS & SPECIFICATIONS

Size	A	B	C	D	E	F	G	H	I (max.)	I (min.)	J	K	Actuator	Wt. (lbs.)	Model No.
8"	2.80	13.31	24.32	14.00	7.62	8.94	6.34	7.87	11.73	11.02	(8) .91	3.88	BEEM800F	173.2	NFKWEPP⊙B7
10"	4.49	13.31	27.14	14.00	7.62	9.76	8.27	9.84	14.25	13.19	(12) 1.00	3.88	BEEM800F	186.5	OFKWEPP⊙B7
12"	4.49	13.31	29.39	14.00	7.62	12.01	9.65	11.81	17.04	15.35	(12) 1.14	3.88	BEEM800F	201.9	PFKWEPP⊙B7

⊙ Seat: **E** = EPDM; **V** = Viton®.

FKW VALVE FEATURES

- Wafer style butterfly valve.
- Polypropylene PP body, CPVC disc and stem.
- EPDM or Viton® seats.
- Mounting pad for direct mount actuator per ISO 5211.
- Pressure range: 150 PSI: 8" to 10", 120 PSI: 12".

ELECTRIC ACTUATOR FEATURES

- B7 Series electric actuator.
- Actuator speed: 18 sec.
- NEMA 4, 7 and 9; CSA approved.
- Weatherproof.
- Class I Groups C and D, Div. 1.
- Class II Groups E, F and G.
- (2) 1/2" NPT conduit entries.
- Manual override.
- Visual position indicator.
- CSA certified.
- Temperature range: 0°F to 160°F.