

FE Series

PVC Wafer Style Butterfly Valve



FE Series butterfly valves incorporate many features of our industrial FK valve, yet the all PVC construction and EPDM liner make this valve the perfect choice for water and light industrial applications. This versatile valve features double self-lubricating seals, direct actuator mount capability, and the option of either a lever handle or mounted gear box. Inserting stainless steel lugs into special molded features in the body allows for end of line installation.

FEATURES

- ISO dimensions for direct mounting of actuators.
- Trapezoidal elastomeric liner provides a bubble tight seal while keeping break-away torque at an absolute minimum.
- Liner completely isolates valve body from process flow and functions as a flange gasket on both sides of the valve.
- Body cavity features special channeling to prevent liner slippage and compression.
- PTFE seated O-ring shaft seals.

MATERIALS OF CONSTRUCTION

Seats and Seals:

EPDM.

Disc and Body:

PVC.

ACTUATOR CONFIGURATIONS

- Electric.
- Pneumatic (spring return).
- Pneumatic (double acting).
- Manual handle lever.
- Manual geared hand wheel.

MAXIMUM PRESSURE

232 PSI (at 73°F): 1-1/2" to 2"
150 PSI (at 73°F): 2-1/2" to 8"
75 PSI (at 73°F): 10" to 12"

TEMPERATURE RANGE

32°F to 140°F

SPECIFICATIONS

Connections:

1-1/2" to 12" wafer flange (ANSI 150).

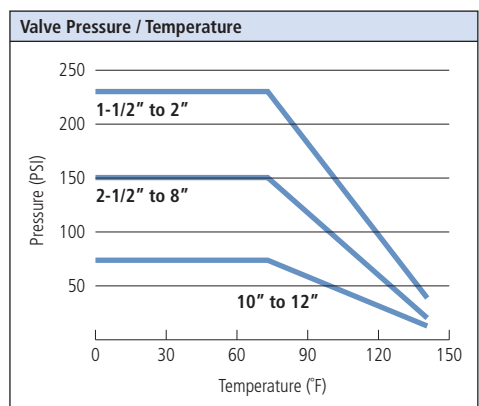
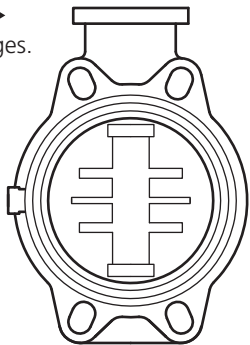
Standards:

ASTM D1784 and ANSI B16.5.

CV FACTORS

Size	Cv
1-1/2"	70
2"	90
2-1/2"	119
3"	249
4"	413
5"	690
6"	1309
8"	2135
10"	3724
12"	5712

Wafer Style Valve ▶
Installs between flanges.
Bolts span the body.



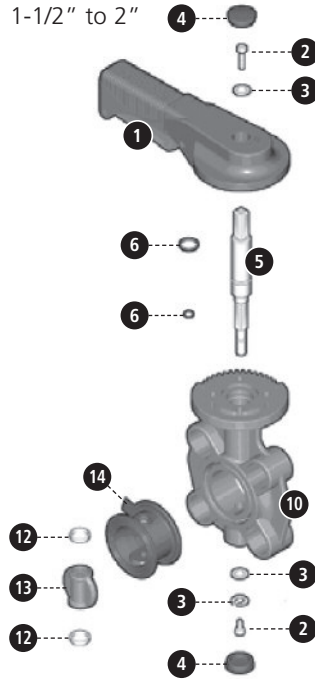
FE Series

PVC butterfly valve (Wafer style)

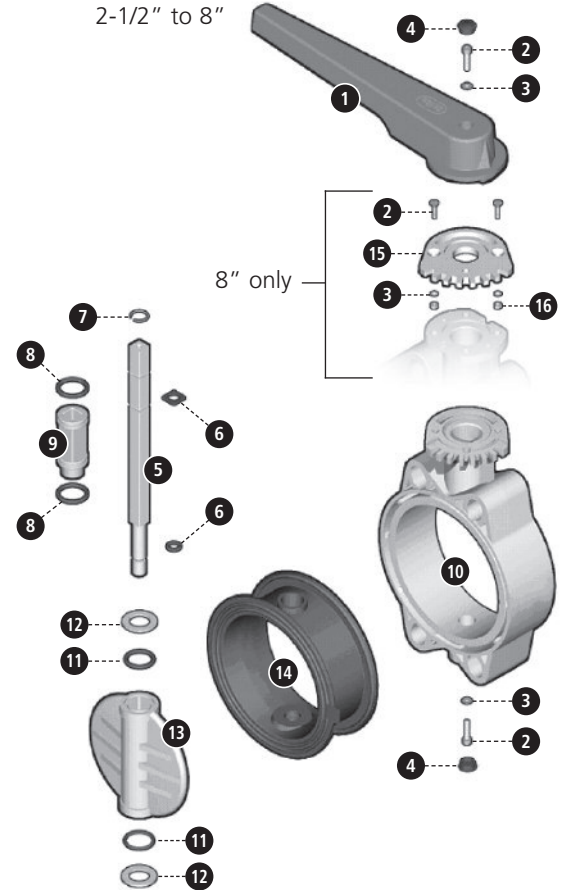
PARTS (1-1/2" to 8")

- 1. **Handle:** PVC
- 2. **Screw:** Stainless steel
- 3. **Washer:** Stainless steel
- 4. **Cap:** PE
- 5. **Shaft:** Zinc plated steel
- 6. **Shaft O-ring:** EPDM
- 7. **Retaining Ring:** Stainless steel
- 8. **Bushing O-ring:** EPDM
- 9. **Bushing:** Nylon
- 10. **Body:** PVC
- 11. **Disc O-ring:** EPDM
- 12. **Anti-friction Ring:** PTFE
- 13. **Disc:** PVC
- 14. **Primary Liner:** EPDM
- 15. **Pad:** PVC

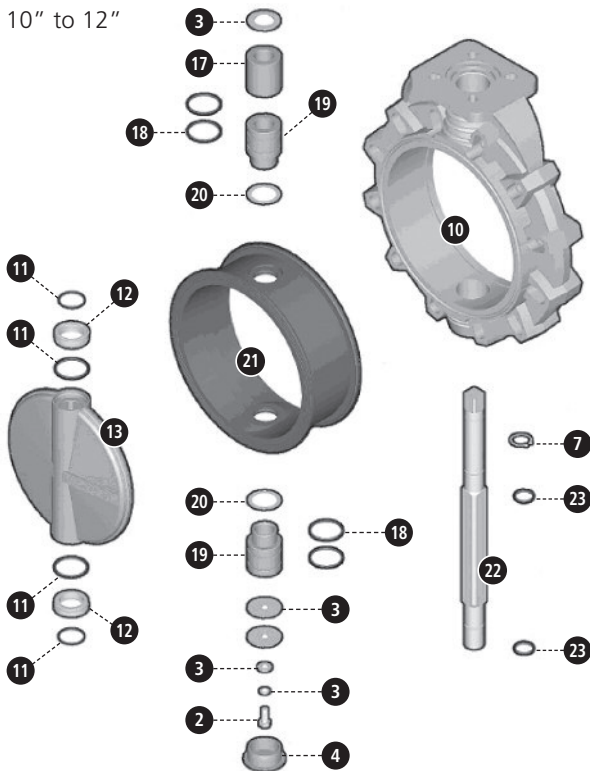
1-1/2" to 2"



2-1/2" to 8"



10" to 12"

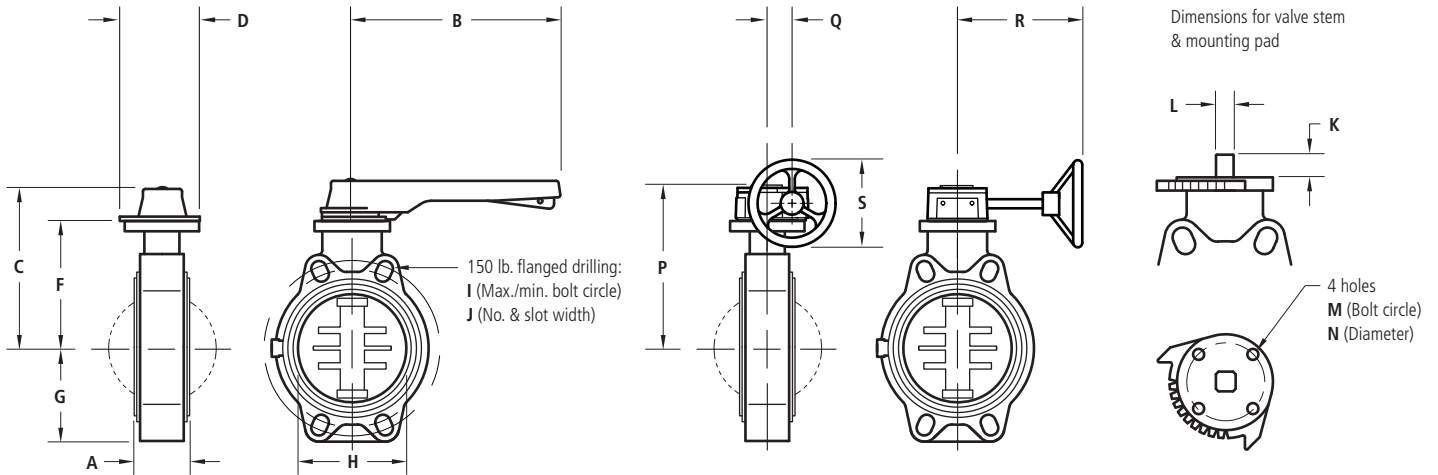


PARTS (con't)

- 16. **Nut:** Stainless steel
- 17. **Bushing:** PP
- 18. **Bushing O-ring:** EPDM
- 19. **Bushing for O-ring:** PP
- 20. **Washer:** PTFE
- 21. **Primary Liner:** EPDM
- 22. **Shaft:** 420 Stainless steel
- 23. **Shaft O-ring:** EPDM

FEWM / FEWG Series

Wafer style butterfly valve with latch handle (FEWM) or gear operator (FEWG)
(Manual operation)



DIMENSIONS, WEIGHTS & SPECIFICATIONS

Size	A	B	C	D	F	G	H	I (max.)	I (min.)	J	Wt.* (lbs.)	Model No.
1-1/2"	1.30	6.89	5.35	3.42	4.17	2.36	1.57	4.29	3.68	(4) .75	1.8	GFEWEPXM
2"	1.69	6.89	5.63	3.42	4.45	2.76	1.97	4.88	4.25	(4) .75	2.2	HFEWEPXM
2-1/2"	1.81	9.84	6.61	3.86	4.84	3.15	2.56	5.67	5.04	(4) .75	3.1	IFEWEPXM
3"	1.93	9.84	7.17	3.86	5.59	3.54	3.15	6.26	5.71	(4) .75	3.6	JFEWEPXM
4"	2.20	9.84	7.72	3.86	5.98	4.13	3.94	7.48	6.50	(4) .75	4.4	KFEWEPXM
5"	2.52	13.19	8.46	3.86	6.93	4.76	4.92	8.46	8.03	(4) .91	6.7	LFEWEPXM
6"	2.76	13.19	9.02	3.86	7.44	5.20	5.91	9.53	9.06	(4) .91	8.2	MFEWEPXM
8"	2.80	16.73	12.17	5.79	8.46	6.34	7.87	11.73	11.02	(8) .91	18.2	NFEWEPXM
10"	4.49	-	-	-	9.76	8.27	9.84	14.25	14.25	(12) 1.00	-	-
12"	4.49	-	-	-	12.01	9.65	11.81	17.00	17.00	(12) 1.00	-	-

* Weight includes handle.

MOUNTING DIMENSIONS & SPECIFICATIONS

Size	K	L	ISO	M	N
1-1/2"	0.47	0.43	F05	1.97	0.28
2"	0.47	0.43	F05	1.97	0.28
2-1/2"	0.47	0.43	F05 / F07	1.97 / 2.76	0.28 / 0.35
3"	0.63	0.55	F07	2.76	0.35
4"	0.63	0.55	F07	2.76	0.35
5"	0.75	0.67	F07	2.76	0.35
6"	0.75	0.67	F07	2.76	0.35
8"	0.94	0.87	F10	4.02	0.43
10"	0.94	0.87	F10 / F12 / F14	4.02 / 4.92 / 5.51	0.43 / 0.51 / 0.67
12"	0.94	0.87	F10 / F12 / F14	4.02 / 4.92 / 5.51	0.43 / 0.51 / 0.67

ADDITIONAL DIMENSIONS & SPECIFICATIONS

Size	P	Q	R	S	Wt.* (lbs.)	Model No.
1-1/2"	-	-	-	-	-	-
2"	-	-	-	-	-	-
2-1/2"	6.81	1.54	5.31	4.92	5.3	IFEWEPXG
3"	7.36	1.54	5.31	4.92	5.7	JFEWEPXG
4"	7.91	1.54	5.31	4.92	6.5	KFEWEPXG
5"	8.67	1.54	5.67	7.87	9.7	LFEWEPXG
6"	9.25	1.54	5.67	7.87	11.2	MFEWEPXG
8"	11.34	2.36	6.89	7.87	20.4	NFEWEPXG
10"	12.48	2.99	9.29	9.84	41.0	OFEWEPXG
12"	14.72	2.99	9.29	9.84	56.4	PFEWEPXG

* Weight includes gear operator.

FEW VALVE FEATURES

- Wafer style butterfly valve.
- PVC body and disc, EPDM seats and seals.
- Mounting pad for direct mount actuator per ISO 5211.
- Pressure range: 232 PSI: 1-1/2" to 2", 150 PSI: 2-1/2" to 8", 75 PSI: 10" to 12".

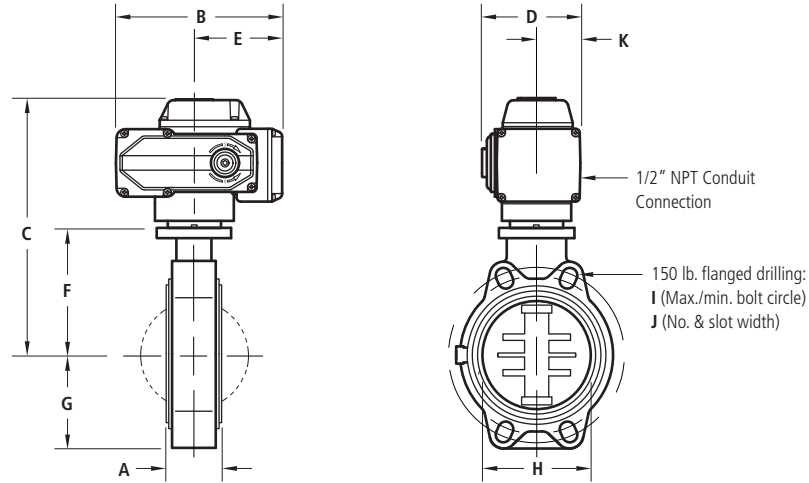
LEVER HANDLE FEATURES

- Adjustable locking device.

FEWK4 Series

Wafer style butterfly valve with electric actuator

(Actuators are sized for 150 PSI liquid media line pressure, contact factory for higher line pressure ratings)



DIMENSIONS, WEIGHTS & SPECIFICATIONS

Size	A	B	C	D	E	F	G	H	I (max.)	I (min.)	J	K	Actuator	Wt. (lbs.)	Model No.
1-1/2"	1.30	6.25	8.27	4.50	3.00	4.17	2.36	1.57	4.29	3.68	(4) .75	2.00	UNIC05	5.9	GFEWEPXK4
2"	1.69	6.25	8.51	4.50	3.00	4.45	2.76	1.97	4.88	4.25	(4) .75	2.00	UNIC05	6.3	HFEWEPXK4
2-1/2"	1.81	6.25	8.79	4.50	3.00	4.84	3.15	2.56	5.67	5.04	(4) .75	2.00	UNIC05	6.8	IFEWEPXK4
3"	1.93	6.25	9.34	4.50	3.00	5.59	3.54	3.15	6.26	5.71	(4) .75	2.00	UNIC05	7.7	JFEWEPXK4
4"	2.20	8.17	12.23	4.82	4.33	5.98	4.13	3.94	7.48	6.50	(4) .75	2.14	UNIC10	13.9	KFEWEPXK4
5"	2.52	8.17	13.01	4.82	4.33	6.93	4.76	4.92	8.46	8.03	(4) .91	2.14	UNIC10	15.6	LFEWEPXK4
6"	2.76	10.10	14.37	8.16	5.25	7.44	5.20	5.91	9.53	9.06	(4) .91	2.48	UNIC20	25.3	MFEWEPXK4
8"	2.80	10.10	16.22	8.16	5.25	8.46	6.34	7.87	11.73	11.02	(8) .91	2.48	UNIC20	31.2	NFEWEPXK4
10"	4.49	15.00	18.97	9.53	7.85	9.76	8.27	9.84	14.25	14.25	(12) 1.00	4.13	UNIC60	70.7	OFEWEPXK4
12"	4.49	15.00	21.22	9.53	7.85	12.01	9.65	11.81	17.00	17.00	(12) 1.00	4.13	UNIC60	88.1	PFEWEPXK4

FEW VALVE FEATURES

- Wafer style butterfly valve.
- PVC body and disc.
- EPDM seats and seals.
- Mounting pad for direct mount actuator per ISO 5211.
- Pressure range: 232 PSI: 1-1/2" to 2", 150 PSI: 2-1/2" to 8", 75 PSI: 10" to 12".

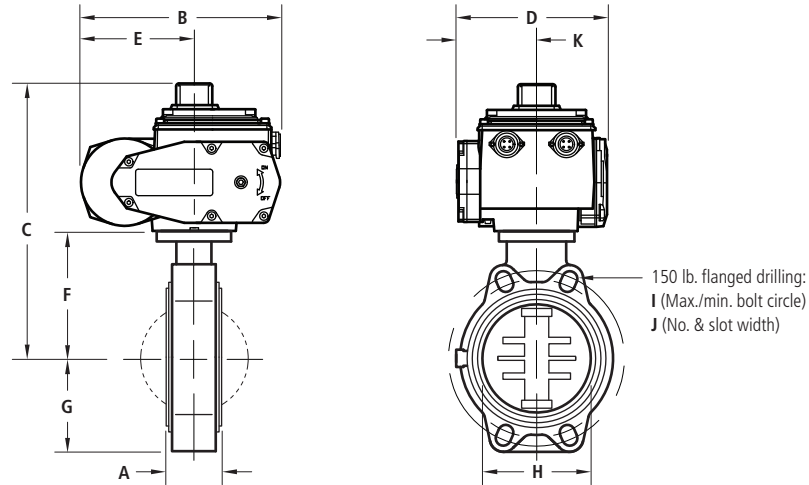
ELECTRIC ACTUATOR FEATURES

- K Series electric actuator.
- Actuator speed: 25 sec.
- Most voltages available.
- Quarter turn: 0-90° rotation.
- NEMA 4/4X certified by UL labs.
- ISO 5211 mounting standard.
- Visual position indicator.
- Self-locking drive train.
- Mounts in any direction.
- 1/2" NPT conduit connection.
- CSA-NRTL/C and CE certified.
- Temperature range: 0°F to 160°F.

FEWI4 Series

Wafer style butterfly valve with electric actuator NEMA 4, 4X

(Actuators are sized for 150 PSI liquid media line pressure, contact factory for higher line pressure ratings)



DIMENSIONS, WEIGHTS & SPECIFICATIONS

Size	A	B	C	D	E	F	G	H	I (max.)	I (min.)	J	K	Actuator	Wt. (lbs.)	Model No.
1-1/2"	1.30	7.56	9.57	5.20	3.58	4.17	2.36	1.57	4.29	3.68	(4) .75	2.21	I40300	9.2	GFEWEPX14⊙
2"	1.69	7.56	9.85	5.20	3.58	4.45	2.76	1.97	4.88	4.25	(4) .75	2.21	I40300	9.6	HFEWEPX14⊙
2-1/2"	1.81	7.56	10.24	5.20	3.58	4.84	3.15	2.56	5.67	5.04	(4) .75	2.21	I40300	10.1	IFEWEPX14⊙
3"	1.93	7.56	11.00	5.20	3.58	5.59	3.54	3.15	6.26	5.71	(4) .75	2.21	I40300	11.0	JFEWEPX14⊙
4"	2.20	7.56	11.38	5.36	3.58	5.98	4.13	3.94	7.48	6.50	(4) .75	2.37	I40600	11.8	KFEWEPX14⊙
5"	2.52	8.73	13.10	6.30	4.75	6.93	4.76	4.92	8.46	8.03	(4) .91	3.31	I42100	22.1	LFEWEPX14⊙
6"	2.76	8.73	13.61	6.30	4.75	7.44	5.20	5.91	9.53	9.06	(4) .91	3.31	I42100	23.8	MFEWEPX14⊙
8"	2.80	8.73	14.63	6.30	4.75	8.46	6.34	7.87	11.73	11.02	(8) .91	3.31	I42100	29.7	NFEWEPX14⊙

⊙ Voltage: **A** = 120 VAC; **B** = 24 VDC.

FEW VALVE FEATURES

- Wafer style butterfly valve.
- PVC body and disc.
- EPDM seats and seals.
- Mounting pad for direct mount actuator per ISO 5211.
- Pressure range: 232 PSI: 1-1/2" to 2",
150 PSI: 2-1/2" to 8".

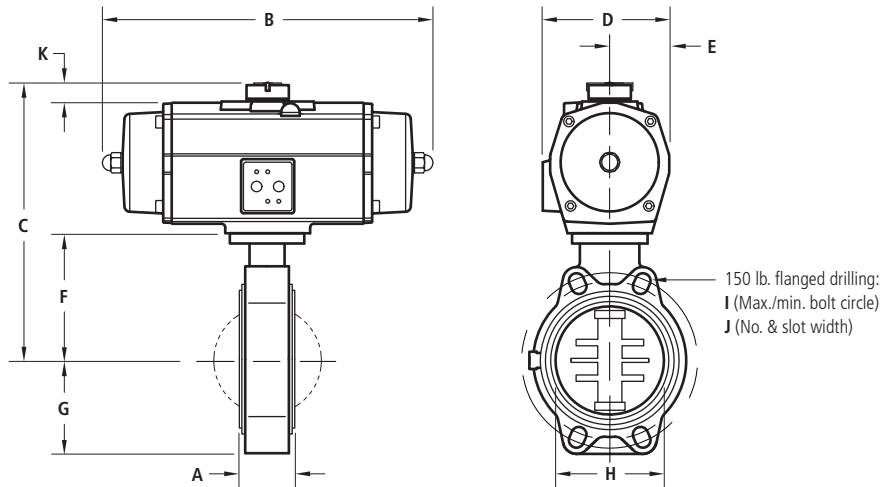
ELECTRIC ACTUATOR FEATURES

- I4 Series electric actuator.
- Weatherproof enclosure IP65.
- Voltages available: 115 VAC, 24 VAC/VDC.
- Duty cycle: 50%.
- IP65 electrical connectors.
- Space heater.
- Extra (2) SPDT adjustable limit switches.
- Temperature range: 0°F to 140°F.

FEWESR Series

Wafer style butterfly valve with spring return pneumatic actuator

(Actuators are sized for 150 PSI liquid media line pressure, contact factory for higher line pressure ratings)



DIMENSIONS, WEIGHTS & SPECIFICATIONS

Size	A	B	C	D	E	F	G	H	I (max.)	I (min.)	J	K	Actuator	Wt. (lbs.)	Model No.
80 psig Minimum Actuator Air Supply = 85															
1-1/2"	1.30	6.77	8.11	3.26	1.46	4.17	2.36	1.57	4.29	3.68	(4).75	.79	ES25-5	5.0	GFEWEPXE8S
2"	1.69	6.77	8.39	3.26	1.46	4.45	2.76	1.97	4.88	4.25	(4).75	.79	ES25-5	5.4	HFEWEPXE8S
2-1/2"	1.81	8.03	9.29	3.78	1.70	4.84	3.15	2.56	5.67	5.04	(4).75	.79	ES40-5	7.5	IFEWEPXE8S
3"	1.93	9.80	10.51	4.19	1.93	5.59	3.54	3.15	6.26	5.71	(4).75	.79	ES65-5	11.0	JFEWEPXE8S
4"	2.20	14.17	12.40	5.39	2.52	5.98	4.13	3.94	7.48	6.50	(4).75	.79	ES200-5	24.0	KFEWEPXE8S
5"	2.52	14.17	13.35	5.39	2.52	6.93	4.76	4.92	8.46	8.03	(4).91	.79	ES200-5	25.7	LFEWEPXE8S
6"	2.76	15.24	15.36	7.12	3.41	7.44	5.20	5.91	9.53	9.06	(4).91	.79	ES350-5	44.6	MFEWEPXE8S
8"	2.80	15.24	16.38	7.12	3.41	8.46	6.34	7.87	11.73	11.02	(8).91	.79	ES350-5	50.5	NFEWEPXE8S
10"	4.49	20.35	21.14	9.51	4.54	9.76	8.27	9.84	14.25	14.25	(12)1.00	.79	ES950-5	112.1	OFEWEPXE8S
12"	4.49	25.08	24.88	10.81	5.21	12.01	9.65	11.81	17.00	17.00	(12)1.00	1.18	ES1600-5	187.0	PFEWEPXE8S
60 psig Minimum Actuator Air Supply = 65															
1-1/2"	1.30	6.77	8.11	3.26	1.46	4.17	2.36	1.57	4.29	3.68	(4).75	.79	ES25-3	5.0	GFEWEPXE6S
2"	1.69	6.77	8.39	3.26	1.46	4.45	2.76	1.97	4.88	4.25	(4).75	.79	ES25-3	5.4	HFEWEPXE6S
2-1/2"	1.81	8.03	9.29	3.78	1.70	4.84	3.15	2.56	5.67	5.04	(4).75	.79	ES40-3	7.5	IFEWEPXE6S
3"	1.93	9.80	10.51	4.19	1.93	5.59	3.54	3.15	6.26	5.71	(4).75	.79	ES65-3	11.0	JFEWEPXE6S
4"	2.20	14.17	12.40	5.39	2.52	5.98	4.13	3.94	7.48	6.50	(4).75	.79	ES200-3	24.0	KFEWEPXE6S
5"	2.52	14.17	13.35	5.39	2.52	6.93	4.76	4.92	8.46	8.03	(4).91	.79	ES200-3	25.7	LFEWEPXE6S
6"	2.76	15.24	15.36	7.12	3.41	7.44	5.20	5.91	9.53	9.06	(4).91	.79	ES350-3	44.6	MFEWEPXE6S
8"	2.80	15.24	16.38	7.12	3.41	8.46	6.34	7.87	11.73	11.02	(8).91	.79	ES350-3	50.5	NFEWEPXE6S
10"	4.49	20.35	21.14	9.51	4.54	9.76	8.27	9.84	14.25	14.25	(12)1.00	1.18	ES950-3	112.1	OFEWEPXE6S
12"	4.49	25.08	24.88	10.81	5.21	12.01	9.65	11.81	17.00	17.00	(12)1.00	1.18	ES1600-3	187.0	PFEWEPXE6S

FEW VALVE FEATURES

- Wafer style butterfly valve.
- PVC body and disc.
- EPDM seats and seals.
- Mounting pad for direct mount actuator per ISO 5211.
- Pressure range: 232 PSI: 1-1/2" to 2", 150 PSI: 2-1/2" to 8", 75 PSI: 10" to 12".

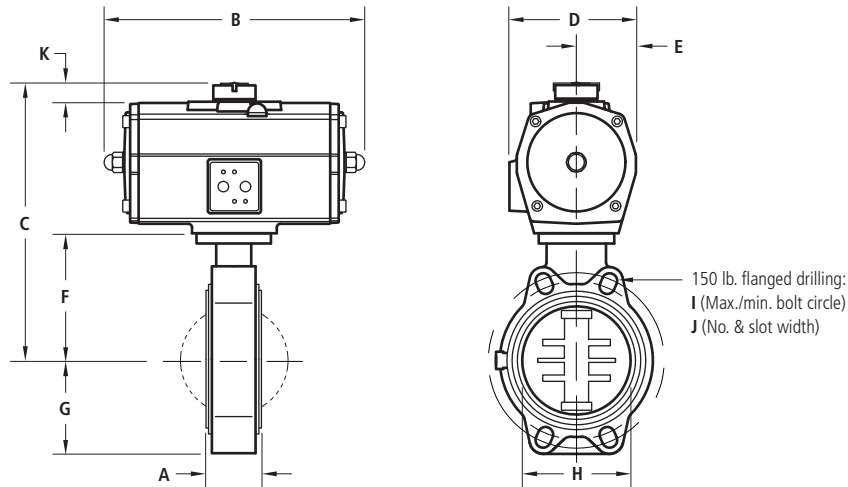
PNEUMATIC ACTUATOR FEATURES

- E Series spring return rack and pinion actuator.
- Corrosion resistant coating.
- NAMUR solenoid mounting pad, ISO 5211 mounting standard.
- Visual position indicator.
- High duty cycle, permanent lubrication.
- Temperature range: -4°F to 175°F.

FEWEDA Series

Wafer style butterfly valve with double acting pneumatic actuator

(Actuators are sized for 150 PSI liquid media line pressure, contact factory for higher line pressure ratings)



DIMENSIONS, WEIGHTS & SPECIFICATIONS

Size	A	B	C	D	E	F	G	H	I (max.)	I (min.)	J	K	Actuator	Wt. (lbs.)	Model No.
80 psig Minimum Actuator Air Supply = 8D															
1-1/2"	1.30	6.26	8.11	3.26	1.46	4.17	2.36	1.57	4.29	3.68	(4).75	.79	ED25	4.2	GFEWEPXE8D
2"	1.69	6.26	8.39	3.26	1.46	4.45	2.76	1.97	4.88	4.25	(4).75	.79	ED25	4.6	HFEWEPXE8D
2-1/2"	1.81	6.26	8.78	3.26	1.46	4.84	3.15	2.56	5.67	5.04	(4).75	.79	ED25	5.1	IFEWEPXE8D
3"	1.93	7.83	10.51	4.19	1.93	5.59	3.54	3.15	6.26	5.71	(4).75	.79	ED65	8.4	JFEWEPXE8D
4"	2.20	7.83	10.90	4.19	1.93	5.98	4.13	3.94	7.48	6.50	(4).75	.79	ED65	9.2	KFEWEPXE8D
5"	2.52	8.70	12.37	4.60	2.12	6.93	4.76	4.92	8.46	8.03	(4).91	.79	ED100	12.4	LFWEWEPXE8D
6"	2.76	11.14	13.86	5.39	2.52	7.44	5.20	5.91	9.53	9.06	(4).91	.79	ED200	20.1	MFEWEPXE8D
8"	2.80	11.14	14.88	5.39	2.52	8.46	6.34	7.87	11.73	11.02	(8).91	.79	ED200	26.0	NFEWEPXE8D
10"	4.49	12.01	17.68	7.12	3.41	9.76	8.27	9.84	14.25	14.25	(12)1.00	.79	ED350	49.4	OFWEWEPXE8D
12"	4.49	15.24	21.85	8.52	4.08	12.01	9.65	11.81	17.00	17.00	(12)1.00	1.18	ED600	84.7	PFEWEPXE8D
60 psig Minimum Actuator Air Supply = 6D															
1-1/2"	1.30	6.26	8.11	3.26	1.46	4.17	2.36	1.57	4.29	3.68	(4).75	.79	ED25	4.2	GFEWEPXE6D
2"	1.69	6.26	8.39	3.26	1.46	4.45	2.76	1.97	4.88	4.25	(4).75	.79	ED25	4.6	HFEWEPXE6D
2-1/2"	1.81	6.26	8.78	3.26	1.46	4.84	3.15	2.56	5.67	5.04	(4).75	.79	ED25	5.1	IFEWEPXE6D
3"	1.93	7.09	10.51	3.78	1.70	5.59	3.54	3.15	6.26	5.71	(4).75	.79	ED40	7.1	JFEWEPXE6D
4"	2.20	8.70	10.90	4.60	2.12	5.98	4.13	3.94	7.48	6.50	(4).75	.79	ED100	10.7	KFEWEPXE6D
5"	2.52	8.70	12.37	4.60	2.12	6.93	4.76	4.92	8.46	8.03	(4).91	.79	ED100	12.4	LFWEWEPXE6D
6"	2.76	11.14	13.86	5.39	2.52	7.44	5.20	5.91	9.53	9.06	(4).91	.79	ED200	20.1	MFEWEPXE6D
8"	2.80	12.01	14.88	7.12	3.41	8.46	6.34	7.87	11.73	11.02	(8).91	.79	ED350	36.1	NFEWEPXE6D
10"	4.49	15.24	17.68	8.52	4.08	9.76	8.27	9.84	14.25	14.25	(12)1.00	1.18	ED600	69.3	OFWEWEPXE6D
12"	4.49	15.24	21.85	8.52	4.08	12.01	9.65	11.81	17.00	17.00	(12)1.00	1.18	ED600	84.7	PFEWEPXE6D

FEW VALVE FEATURES

- Wafer style butterfly valve.
- PVC body and disc.
- EPDM seats and seals.
- Mounting pad for direct mount actuator per ISO 5211.
- Pressure range: 232 PSI: 1-1/2" to 2", 150 PSI: 2-1/2" to 8", 75 PSI: 10" to 12".

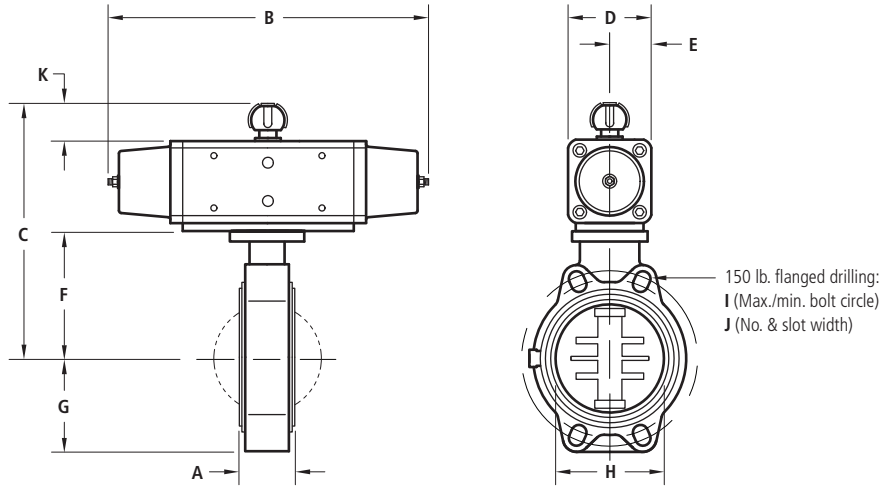
PNEUMATIC ACTUATOR FEATURES

- E Series double acting rack and pinion actuator.
- Corrosion resistant coating.
- NAMUR solenoid mounting pad, ISO 5211 mounting standard.
- Visual position indicator.
- High duty cycle, permanent lubrication.
- Temperature range: -4°F to 175°F.

FEWOSR Series

Wafer style butterfly valve with spring return pneumatic actuator

(Actuators are sized for 150 PSI liquid media line pressure, contact factory for higher line pressure ratings)



DIMENSIONS, WEIGHTS & SPECIFICATIONS

Size	A	B	C	D	E	F	G	H	I (max.)	I (min.)	J	K	Actuator	Wt. (lbs.)	Model No.
80 psig Minimum Actuator Air Supply = 85															
1-1/2"	1.30	9.45	8.11	2.56	1.28	4.17	2.36	1.57	4.29	3.68	(4) .75	.79	PS030	5.7	GFEWEPX08S
2"	1.69	9.45	8.35	2.56	1.28	4.45	2.76	1.97	4.88	4.25	(4) .75	.79	PS030	6.1	HFEWEPX08S
2-1/2"	1.81	9.45	10.31	2.56	1.28	4.84	3.15	2.56	5.67	5.04	(4) .75	.79	PS030	6.6	IFEWEPX08S
3"	1.93	12.60	11.06	3.15	1.57	5.59	3.54	3.15	6.26	5.71	(4) .75	1.18	PS060	10.8	JFEWEPX08S
4"	2.20	14.06	11.51	3.54	1.77	5.98	4.13	3.94	7.48	6.50	(4) .75	1.18	PS090	14.0	KFEWEPX08S
5"	2.52	14.65	13.70	3.94	1.97	6.93	4.76	4.92	8.46	8.03	(4) .91	1.18	PS120	20.3	LFEWEPX08S
6"	2.76	17.18	14.41	4.41	2.20	7.44	5.20	5.91	9.53	9.06	(4) .91	1.18	PS180	28.0	MFEWEPX08S
60 psig Minimum Actuator Air Supply = 65															
1-1/2"	1.30	9.45	8.11	2.56	1.28	4.17	2.36	1.57	4.29	3.68	(4) .75	.79	PS030	5.7	GFEWEPX06S
2"	1.69	9.45	8.35	2.56	1.28	4.45	2.76	1.97	4.88	4.25	(4) .75	.79	PS030	6.1	HFEWEPX06S
2-1/2"	1.81	9.45	10.31	2.56	1.28	4.84	3.15	2.56	5.67	5.04	(4) .75	.79	PS030	6.6	IFEWEPX06S
3"	1.93	14.06	10.20	3.54	1.77	5.59	3.54	3.15	6.26	5.71	(4) .75	1.18	PS090	13.2	JFEWEPX06S
4"	2.20	14.65	11.14	3.94	1.97	5.98	4.13	3.94	7.48	6.50	(4) .75	1.18	PS120	18.6	KFEWEPX06S
5"	2.52	17.18	12.39	4.41	2.20	6.93	4.76	4.92	8.46	8.03	(4) .91	1.18	PS180	26.3	LFEWEPX06S

FEW VALVE FEATURES

- Wafer style butterfly valve.
- PVC body and disc.
- EPDM seats and seals.
- Mounting pad for direct mount actuator per ISO 5211.
- Pressure range: 232 PSI: 1-1/2" to 2",
150 PSI: 2-1/2" to 6".

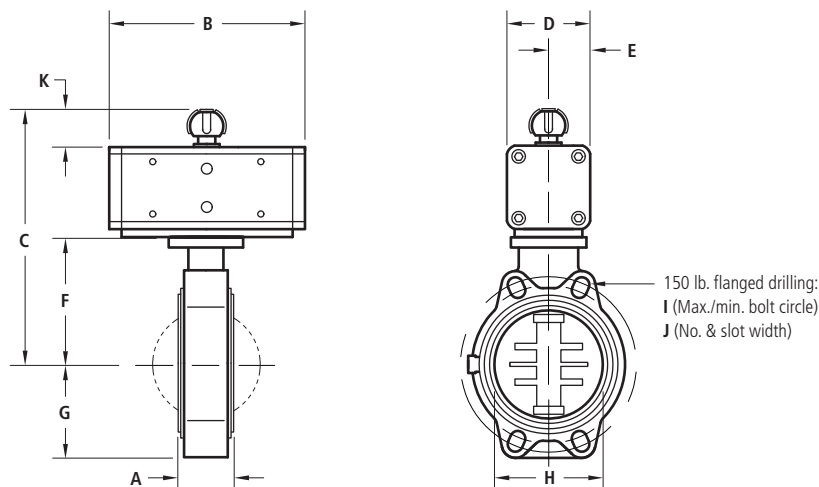
PNEUMATIC ACTUATOR FEATURES

- O Series spring return pneumatic actuator.
- Corrosion resistant coating.
- NAMUR solenoid mounting pad, ISO 5211 mounting standard.
- Visual position indicators.
- High duty cycle, permanent lubrication.
- Temperature range: -4°F to 175°F.

FEWODA Series

Wafer style butterfly valve with double acting pneumatic actuator

(Actuators are sized for 150 PSI liquid media line pressure, contact factory for higher line pressure ratings)



DIMENSIONS, WEIGHTS & SPECIFICATIONS

Size	A	B	C	D	E	F	G	H	I (max.)	I (min.)	J	K	Actuator	Wt. (lbs.)	Model No.
80 psig Minimum Actuator Air Supply = 8D															
1-1/2"	1.30	5.67	7.54	2.36	1.18	4.17	2.36	1.57	4.29	3.68	(4) .75	.79	PD045	4.1	GFEWEPX08D
2"	1.69	5.67	7.82	2.36	1.18	4.45	2.76	1.97	4.88	4.25	(4) .75	.79	PD045	4.5	HFEWEPX08D
2-1/2"	1.81	5.67	8.21	2.36	1.18	4.84	3.15	2.56	5.67	5.04	(4) .75	.79	PD045	5.0	IFEWEPX08D
3"	1.93	6.85	9.43	2.83	1.41	5.59	3.54	3.15	6.26	5.71	(4) .75	.79	PD090	7.2	JFEWEPX08D
4"	2.20	6.85	9.82	2.83	1.41	5.98	4.13	3.94	7.48	6.50	(4) .75	.79	PD090	8.0	KFEWEPX08D
5"	2.52	8.35	11.89	3.54	1.77	6.93	4.76	4.92	8.46	8.03	(4) .91	1.18	PD180	13.1	LFEWEPX08D
6"	2.76	8.35	12.40	3.54	1.77	7.44	5.20	5.91	9.53	9.06	(4) .91	1.18	PD180	14.8	MFEWEPX08D
60 psig Minimum Actuator Air Supply = 6D															
1-1/2"	1.30	6.65	8.01	2.83	1.41	4.17	2.36	1.57	4.29	3.68	(4) .75	.79	PD090	5.4	GFEWEPX06D
2"	1.69	6.65	8.29	2.83	1.41	4.45	2.76	1.97	4.88	4.25	(4) .75	.79	PD090	5.8	HFEWEPX06D
2-1/2"	1.81	6.65	8.68	2.83	1.41	4.84	3.15	2.56	5.67	5.04	(4) .75	.79	PD090	6.3	IFEWEPX06D
3"	1.93	6.65	9.43	2.83	1.41	5.59	3.54	3.15	6.26	5.71	(4) .75	.79	PD090	7.2	JFEWEPX06D
4"	2.20	7.24	10.54	3.15	1.57	5.98	4.13	3.94	7.48	6.50	(4) .75	1.18	PD120	10.1	KFEWEPX06D
5"	2.52	8.35	11.89	3.54	1.77	6.93	4.76	4.92	8.46	8.03	(4) .91	1.18	PD180	13.1	LFEWEPX06D

FEW VALVE FEATURES

- Wafer style butterfly valve.
- PVC body and disc.
- EPDM seats and seals.
- Mounting pad for direct mount actuator per ISO 5211.
- Pressure range: 232 PSI: 1-1/2" to 2", 150 PSI: 2-1/2" to 6".

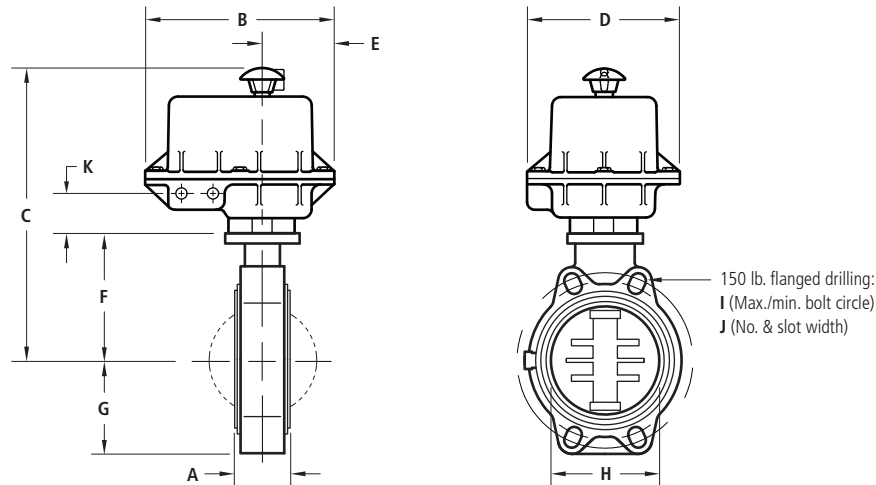
PNEUMATIC ACTUATOR FEATURES

- O Series double acting pneumatic actuator.
- Corrosion resistant coating.
- NAMUR solenoid mounting pad, ISO 5211 mounting standard.
- Visual position indicators.
- High duty cycle, permanent lubrication.
- Temperature range: -4°F to 175°F.

FEWB7 Series 1-1/2" to 6" Sizes

Wafer style butterfly valve with explosion proof electric actuator, NEMA 7, 120 VAC

(Actuators are sized for 150 PSI liquid media line pressure, contact factory for higher line pressure ratings)



DIMENSIONS, WEIGHTS & SPECIFICATIONS

Size	A	B	C	D	E	F	G	H	I (max.)	I (min.)	J	K	Actuator	Wt. (lbs.)	Model No.
1-1/2"	1.30	9.75	13.61	7.75	3.75	4.17	2.36	1.57	4.29	3.68	(4) .75	2.44	BEEM500F	19.3	GFEWEPXB7
2"	1.69	9.75	13.85	7.75	3.75	4.45	2.76	1.97	4.88	4.25	(4) .75	2.44	BEEM500F	19.7	HFEWEPXB7
2-1/2"	1.81	9.75	14.13	7.75	3.75	4.84	3.15	2.56	5.67	5.04	(4) .75	2.44	BEEM500F	20.2	IFEWEPXB7
3"	1.93	9.75	14.68	7.75	3.75	5.59	3.54	3.15	6.26	5.71	(4) .75	2.44	BEEM500F	21.1	JFEWEPXB7
4"	2.20	9.75	15.23	7.75	3.75	5.98	4.13	3.94	7.48	6.50	(4) .75	2.44	BEEM500F	21.9	KFEWEPXB7
5"	2.52	9.75	16.01	7.75	3.75	6.93	4.76	4.92	8.46	8.03	(4) .91	2.44	BEEM500F	23.6	LFEWEPXB7
6"	2.76	9.75	16.53	7.75	3.75	7.44	5.20	5.91	9.53	9.06	(4) .91	2.44	BEEM500F	25.3	MFEWEPXB7

FEW VALVE FEATURES

- Wafer style butterfly valve.
- PVC body and disc.
- EPDM seats and seals.
- Mounting pad for direct mount actuator per ISO 5211.
- Pressure range: 232 PSI: 1-1/2" to 2",
150 PSI: 2-1/2" to 6".

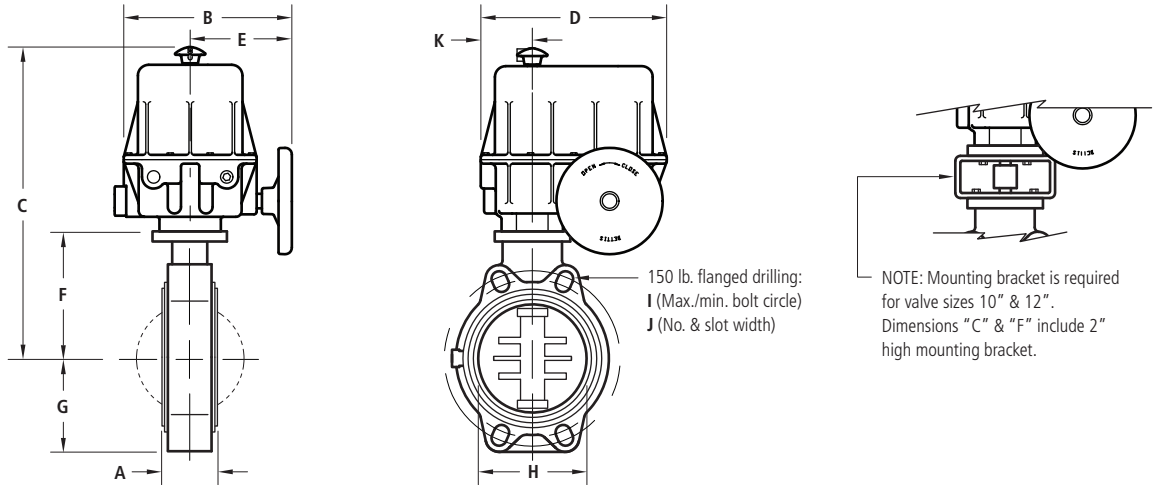
ELECTRIC ACTUATOR FEATURES

- B7 Series electric actuator.
- Actuator speed: 15 sec.
- NEMA 4, 4x, 7 and 9; CSA approved.
- Weatherproof.
- Class I Groups C and D, Div. 1.
- Class II Groups E, F and G.
- (2) 1/2" NPT conduit entries.
- Manual override.
- Visual position indicator.
- CSA certified.
- Temperature range: 0°F to 160°F.

FEWB7 Series 8" to 12" Sizes

Wafer style butterfly valve with explosion proof electric actuator, NEMA 7, 120 VAC

(Actuators are sized for 150 PSI liquid media line pressure, contact factory for higher line pressure ratings)



DIMENSIONS, WEIGHTS & SPECIFICATIONS

Size	A	B	C	D	E	F	G	H	I (max.)	I (min.)	J	K	Actuator	Wt. (lbs.)	Model No.
8"	2.80	13.31	23.84	14.00	7.62	8.46	6.34	7.87	11.73	11.02	(8) .91	3.88	BEEM800F	173.2	NFEWEPXB7
10"	4.49	13.31	27.14	14.00	7.62	9.76	8.27	9.84	14.25	14.25	(12) 1.00	3.88	BEEM800F	186.5	OFEWEPXB7
12"	4.49	13.31	29.39	14.00	7.62	12.01	9.65	11.81	17.00	17.00	(12) 1.00	3.88	BEEM800F	201.9	PFEWEPXB7

FEW VALVE FEATURES

- Wafer style butterfly valve.
- PVC body and disc.
- EPDM seats and seals.
- Mounting pad for direct mount actuator per ISO 5211.
- Pressure range: 150 PSI: 8", 75 PSI: 10" to 12".

ELECTRIC ACTUATOR FEATURES

- B7 Series electric actuator.
- Actuator speed: 18 sec.
- NEMA 4, 7 and 9; CSA approved.
- Weatherproof.
- Class I Groups C and D, Div. 1.
- Class II Groups E, F and G.
- (2) 1/2" NPT conduit entries.
- Manual override.
- Visual position indicator.
- CSA certified.
- Temperature range: 0°F to 160°F.