



Eliminizer Combo Coalescing Compressed Air Filter/Dryer



The Eliminizer Combo Series coalescing filter-dryers use patented cyclonic inverse flow with two-stage filter packing in the first housing: stainless steel mesh & cotton/polyester; and a coalescing element for oil and fine particulate removal in the second housing. Excellent water & dirt capture to 0.01 micron. ISO Class 1 Particulate.

They are generally installed as the main line filter, but could also be used at the point of use, and in heavy duty service where heavy water & dirt removal is needed. These filter-dryers are perfectly suited for protecting pneumatic valve actuators and other air-driven tools.

END CONNECTIONS

Female NPT Threaded: 1/4" to 1"

MAX. PRESSURE

plastic bowls: 150 PSI

aluminum bowls: 200 PSI

(150 PSI with indicator)

MAX. TEMPERATURE

plastic bowls: 125° F

aluminum bowls: 175° F

(125° F with indicator)

PRESSURE DROP

< 5 PSI at maximum flow

FILTRATION

First Housing Element:

1 micron and larger

ISO Class 2 particulate

Second Housing Element:

0.01 micron and larger

oil removal

FEATURES

- Minimal pressure drop
- Water, dirt, and oil removal
- Automatic float drain
- Differential pressure indicator to signal time for element changeout

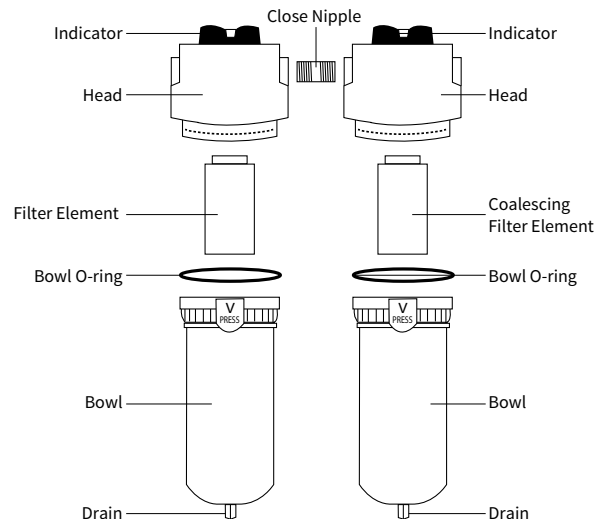
TYPICAL APPLICATIONS

- Pneumatically operated valves
- Pneumatic valve actuators
- Pneumatically operated tools
- HPLV paint sprayers

OPTIONS

- **Solid aluminum bowl or clear polycarbonate bowl with metal gaurd**
- **Various port sizes for each filter size**
- **Manual petcock drains available**
- **Electric drain available**

CONSTRUCTION





Eliminizer Combo



Coalescing Compressed Air Filter/Dryer

AIR FILTER-DRYER ORDERING

To easily create a complete and correct model code, please visit our web site and use the configurator.

3P - 020 - P 02 - DC I

Series Size Bowl Port Drain Indicator

Series:

3P = Eliminizer 2-stage air filter-dryer

Size and Air Flow:

- 020** = 20 scfm
- 035** = 35 scfm
- 060** = 60 scfm
- 090** = 90 scfm
- 150** = 150 scfm

Bowl Material:

- P** = Polycarbonate (clear) with metal gaurd
- M** = Aluminum

Port Size:

- 02** = 1/4" NPT
- 03** = 3/8" NPT
- 04** = 1/2" NPT
- 06** = 3/4" NPT
- 08** = 1" NPT

Bowl Drain:

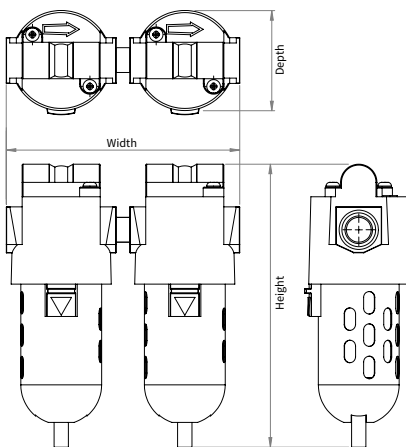
- P** = Manual petcock drain
- DC** = Automatic float drain

ΔP Clogging Indicator:

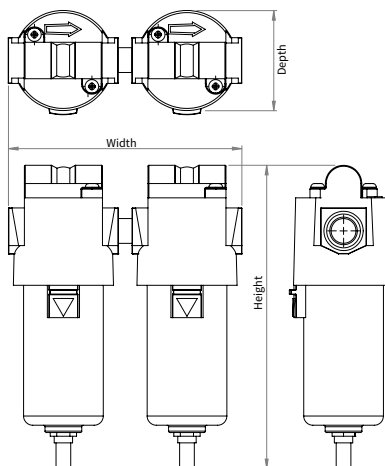
- (omit) = none
- I** = ΔP clogging indicator

DIMENSIONS

Polycarbonate



Aluminum Bowl



| Size | Height | | Width | Depth |
|----------------|--------|-------|-------|-------|
| | Poly. | Alum. | | |
| 020 | 7.8 | 7.8 | 6.5 | 2.75 |
| 60 | 11.5 | 11.0 | 8.0 | 3.9 |
| 090/150 | 18.0 | 15.5 | 9.6 | 4.8 |

For complete dimension drawings and/or CAD files, please call **1-800-899-0553** or email **CAD@assuredautomation.com**