

# FireChek® FC4 Series

## FM Approved Heat Activated Pneumatic Shut-off Valve



When FireChek senses excessive heat from a nearby fire, it immediately vents the pneumatic actuator and closes the actuator air supply line. FireChek triggers quickly, securing pneumatically operated process line valves. Because FireChek responds to heat, not flame, it offers dramatically improved protection compared with conventional plastic tubing burn-through. It shuts off the air supply line to prevent plant air from feeding oxygen to a fire.

The shape memory element senses the ambient temperature and, through a phase induction change, rapidly produces the force and motion to operate FireChek. The element is 100% reliable because the shape memory effect is intrinsic to the alloy. Shape memory alloys have performed successfully for years in military, industrial, and consumer product applications.

FireChek's manual reset allows routine performance testing for safety maintenance programs. A hot-air gun will quickly actuate FireChek. After cooling briefly, the FireChek can easily be reset without the use of tools, for continued protection.

FireChek installs easily between the pneumatic supply and spring return actuator via two female threaded connections.

### FEATURES

- Rapidly responds to temperature rise, not flames.
- Vents actuator air pressure.
- Closes actuator air supply line.
- Needs no power source, self activates.
- Compatible with all pneumatic actuators.
- No contact with process fluids.
- Easy to test and reset.
- Reliable, intrinsic triggering.
- Easy to retrofit, installs in minutes.
- FM approved.

### FC4 SERIES MODEL NUMBERING

Model Number: \_\_\_\_\_ **FC4 X X**

Connection: \_\_\_\_\_

**NPT** = 1/4-18 NPT (standard)

**ISO** = 1/4-19 ISO

Actuation Temperature: \_\_\_\_\_

**135** = 135°F

**150** = 150°F

**165** = 165°F (standard)

### MAXIMUM PRESSURE

126 PSI (8.62 bar)

### MATERIALS OF CONSTRUCTION

**Shape Memory Alloy  
Actuator and Sensor:**  
MEMORY®.

**Thermal Insulators:**  
DELRIN®.

**O-rings:**  
BUNA-N.

**Body Cover, Reset, Shuttle  
Cap, Pin and Bias Spring:**  
300 stainless steel.

### SPECIFICATIONS

**Actuation Time:**  
25 sec. or less at a temperature  
rise rate of 30°F/min.

**Fill and Discharge Capacity:**  
1 liter of air in under 1 sec. at  
125 PSI (8.62 bar); 0.49 CV.

**Dimensions:**  
2.59" length, 1.00" diameter.

**Weight:**  
0.482 lbs.

# 150F & 300F Series

## Full Port Two-Piece Ball Valve



Assured Automation's 150F and 300F series ball valves offer a unique design that is ideal for process and petrochemical applications.

### FEATURES

- Floating ball and protected seat design.
- O-ring backed seat.
- Fire safe designed to API 607-5.
- Spiral wound body gasket with secondary metal to metal seal.
- Open and close locking device for position safety lockout.
- O-ring reinforced stem packing.

### MATERIALS OF CONSTRUCTION

**Body:**  
Stainless steel or carbon steel.

**Seats:**  
TFM.

### MAXIMUM PRESSURE

**Class 150:**  
Body: 275 PSI

**Class 300:**  
Body: 700 PSI

### MAXIMUM TEMPERATURE

475°F

### ACTUATOR CONFIGURATIONS

- Electric.
- Pneumatic (spring return).
- Pneumatic (double acting).
- Manual handle.

### SPECIFICATIONS

**Connections:**  
1/2" to 12" flanged.

### Cv FACTORS & MAX. OPERATING TORQUES

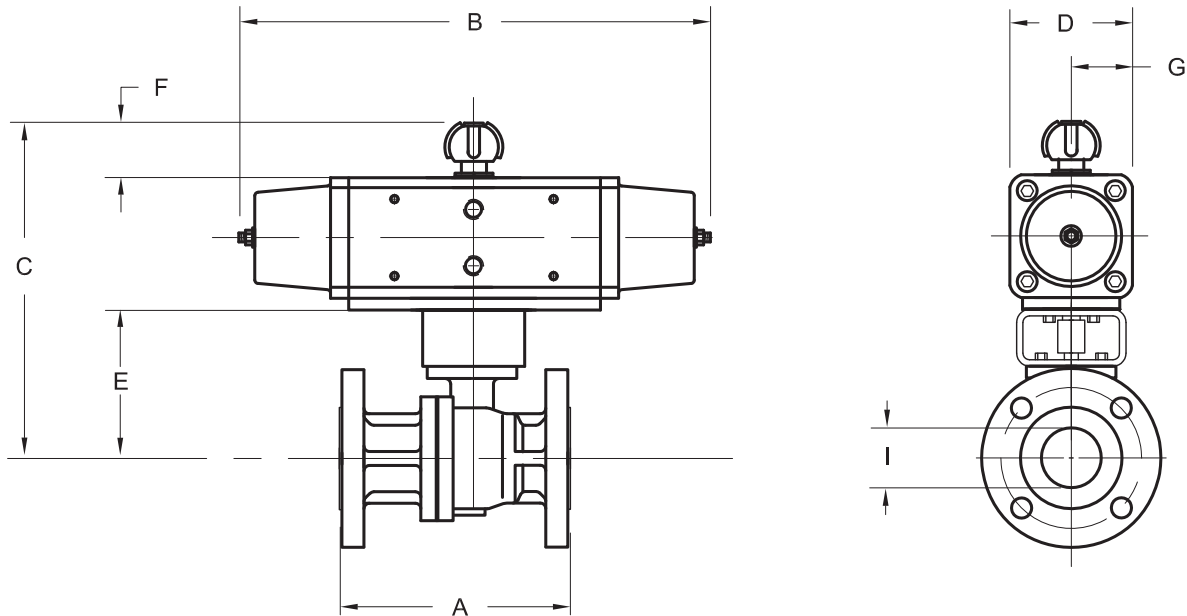
Size	Cv	Torque (in/lb) TFM Seats
<b>Class 150:</b>		
1/2"	17	62
3/4"	43	90
1"	74	100
1-1/4"	192	240
1-1/2"	290	270
2"	410	360
2-1/2"	780	620
3"	1,120	800
4"	1,825	1,700
6"	4,700	4,600
8"	10,100	9,900
10"	17,500	17,000
12"	22,400	23,000
<b>Class 300:</b>		
1/2"	15	65
3/4"	40	95
1"	70	105
1-1/4"	189	252
1-1/2"	300	284
2"	430	378
2-1/2"	768	651
3"	1,090	840
4"	1,900	1,785
6"	4,800	4,830
8"	10,000	10,395
10"	17,350	17,850
12"	21,700	24,150

# 150F\_F OSR .5 - 2

Full port ball valve with spring return pneumatic actuator

150# Flanged 2-pc body TFM Seats

Actuators are sized for 150 psi pressure differential



## DIMENSIONS, WEIGHTS & SPECIFICATIONS

Size	A	B	C	D	E	F	G	I	Actuator	Wt.(lbs.)	Model No.
<b>80 psig Minimum Actuator Air Supply = 8S</b>											
1/2"	4.25	8.71	7.77	2.17	4.54	.79	1.08	.59	PS015	9.4	C150F * F O8S ①
3/4"	4.62	9.45	8.24	2.56	4.70	.79	1.28	.79	PS030	14.4	D150F * F O8S ①
1"	5.00	9.45	8.60	2.56	5.06	.79	1.28	.98	PS030	16.9	E150F * F O8S ①
1-1/2"	6.50	12.60	10.21	3.15	5.65	1.18	1.57	1.50	PS060	27.2	G150F * F O8S ①
2"	7.00	14.06	10.86	3.54	5.90	1.18	1.77	1.97	PS090	36.1	H150F * F O8S ①
<b>60 psig Minimum Actuator Air Supply = 6S</b>											
1/2"	4.25	9.45	8.08	2.56	4.54	.79	1.28	.59	PS030	13.4	C150F * F O6S ①
3/4"	4.62	9.45	8.24	2.56	4.70	.79	1.28	.79	PS030	14.4	D150F * F O6S ①
1"	5.00	9.45	8.60	2.56	5.06	.79	1.28	.98	PS030	16.9	E150F * F O6S ①
1-1/2"	6.50	14.06	10.61	3.54	5.65	1.18	1.77	1.50	PS090	29.6	G150F * F O6S ①
2"	7.00	14.06	10.86	3.54	5.90	1.18	1.77	1.97	PS090	36.1	H150F * F O6S ①

Note: Dimensions "C" & "E" include a 3" high mounting bracket

\*C = Carbon Stl Body, 316SS Trim

\*S = 316SS Body & Trim

① C=Fail Close, O=Fail Open

### 150 VALVE SPECIFICATIONS

- 150F Class 150
- Standard Steam Working Pressure: 150SWP, optional 300PSIG
- Protected Seat Design
- Fire Safe Designed to API607-5
- Spiral Wound Body Gasket w/Secondary metal to metal seat
- Carbon Steel or Stainless Steel Body
- Seats: TFM
- Max Temp: TFM seats: 475°F

### PNEUMATIC ACTUATOR FEATURES

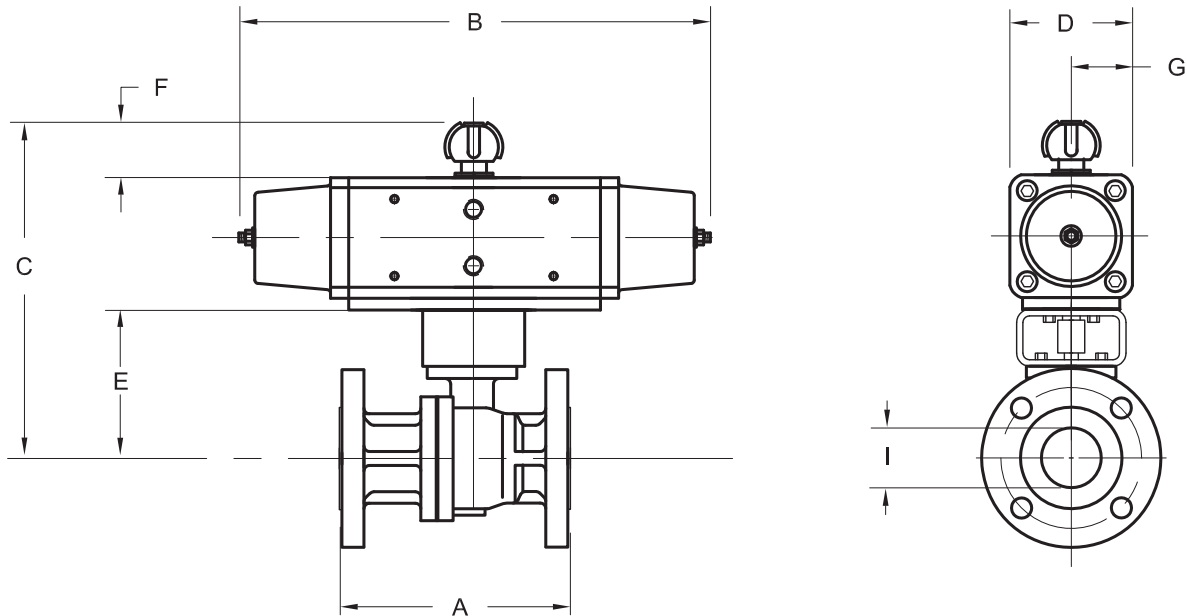
- O Series spring return pneumatic actuator
- Corrosion resistant coating
- NAMUR solenoid mounting pad, ISO 5211 mounting standard
- Visual position indicator
- High duty cycle, permanent lubrication
- Temperature range: -4°F to 175°F

# 150F\_S OSR .5 - 2

Full port ball valve with spring return pneumatic actuator

150# Flanged 2-pc body 50/50 Seats

Actuators are sized for 150 psi pressure differential



## DIMENSIONS, WEIGHTS & SPECIFICATIONS

Size	A	B	C	D	E	F	G	I	Actuator	Wt.(lbs.)	Model No.
<b>80 psig Minimum Actuator Air Supply = 8S</b>											
1/2"	4.25	9.45	8.08	2.56	4.54	.79	1.28	.59	PS030	13.4	C150F * S O8S ①
3/4"	4.62	9.45	8.24	2.56	4.70	.79	1.28	.79	PS030	14.4	D150F * S O8S ①
1"	5.00	9.45	8.60	2.56	5.06	.79	1.28	.98	PS030	16.9	E150F * S O8S ①
1-1/2"	6.50	14.06	10.61	3.54	5.65	1.18	1.77	1.50	PS090	29.6	G150F * S O8S ①
2"	7.00	14.65	11.25	3.94	5.90	1.18	1.97	1.97	PS120	40.7	H150F * S O8S ①
<b>60 psig Minimum Actuator Air Supply = 6S</b>											
1/2"	4.25	9.45	8.08	2.56	4.54	.79	1.28	.59	PS030	13.4	C150F * S O6S ①
3/4"	4.62	11.58	8.54	2.83	4.70	.79	1.41	.79	PS045	15.3	D150F * S O6S ①
1"	5.00	11.58	8.90	2.83	5.06	.79	1.41	.98	PS045	17.8	E150F * S O6S ①
1-1/2"	6.50	14.65	11.00	3.94	5.65	1.18	1.97	1.50	PS120	34.2	G150F * S O6S ①
2"	7.00	17.18	11.72	4.41	5.90	1.18	2.20	1.97	PS180	46.7	H150F * S O6S ①

Note: Dimensions "C" & "E" include a 3" high mounting bracket

\*C = Carbon Stl Body, 316SS Trim

\*S = 316SS Body & Trim

① C=Fail Close, O=Fail Open

## 150 VALVE SPECIFICATIONS

- 150F Class 150
- Standard Steam Working Pressure: 150SWP, optional 300PSIG
- Protected Seat Design
- Fire Safe Designed to API607-5
- Spiral Wound Body Gasket w/Secondary metal to metal seat
- Carbon Steel or Stainless Steel Body
- Seats: 50/50
- Max Temp: 50/50 seats: 525°F

## PNEUMATIC ACTUATOR FEATURES

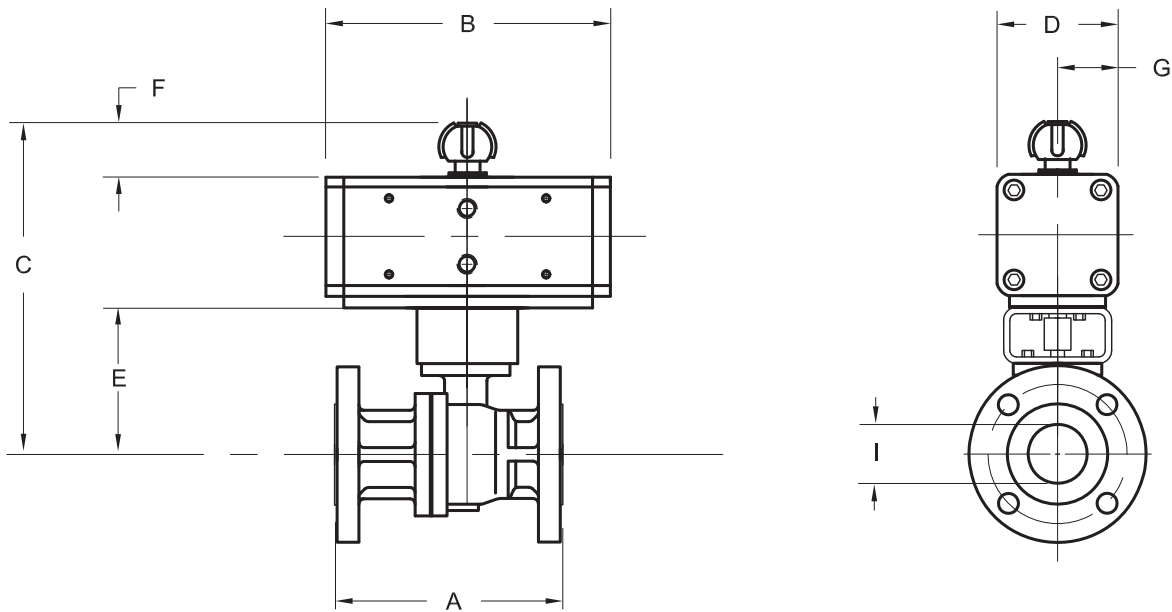
- O Series spring return pneumatic actuator
- Corrosion resistant coating
- NAMUR solenoid mounting pad, ISO 5211 mounting standard
- Visual position indicator
- High duty cycle, permanent lubrication
- Temperature range: -4°F to 175°F

# 150F\_F ODA .5 - 2

Full port ball valve with double acting pneumatic actuator

150# Flanged 2-pc body TFM Seats

Actuators are sized for 150 psi pressure differential



## DIMENSIONS, WEIGHTS & SPECIFICATIONS

Size	A	B	C	D	E	F	G	I	Actuator	Wt.(lbs.)	Model No.
80 psig Minimum Actuator Air Supply = 8D											
1/2"	4.25	5.12	7.69	2.17	4.54	.79	1.08	.59	PD030	11.2	C150F * F O8D
3/4"	4.62	5.12	7.85	2.17	4.70	.79	1.08	.79	PD030	12.2	D150F * F O8D
1"	5.00	5.12	8.21	2.17	5.06	.79	1.08	.98	PD030	14.7	E150F * F O8D
1-1/2"	6.50	5.98	9.19	2.56	5.65	.79	1.28	1.50	PD060	22.9	G150F * F O8D
2"	7.00	6.65	9.74	2.83	5.90	.79	1.41	1.97	PD090	30.1	H150F * F O8D
60 psig Minimum Actuator Air Supply = 6D											
1/2"	4.25	5.12	7.69	2.17	4.54	.79	1.08	.59	PD030	11.2	C150F * F O6D
3/4"	4.62	5.12	7.85	2.17	4.70	.79	1.08	.79	PD030	12.2	D150F * F O6D
1"	5.00	5.12	8.21	2.17	5.06	.79	1.08	.98	PD030	14.7	E150F * F O6D
1-1/2"	6.50	6.65	9.49	2.83	5.65	.79	1.41	1.50	PD090	23.6	G150F * F O6D
2"	7.00	7.24	10.46	3.15	5.90	1.18	1.57	1.97	PD120	32.2	H150F * F O6D

Note: Dimensions "C" & "E" include a 3" high mounting bracket

\*C = Carbon Stl Body, 316SS Trim

\*S = 316SS Body & Trim

## 150 VALVE SPECIFICATIONS

- 150F Class 150
- Standard Steam Working Pressure: 150SWP, optional 300PSIG
- Protected Seat Design
- Fire Safe Designed to API607-5
- Spiral Wound Body Gasket w/Secondary metal to metal seat
- Carbon Steel or Stainless Steel Body
- Seats: TFM
- Max Temp: TFM seats: 475°F

## PNEUMATIC ACTUATOR FEATURES

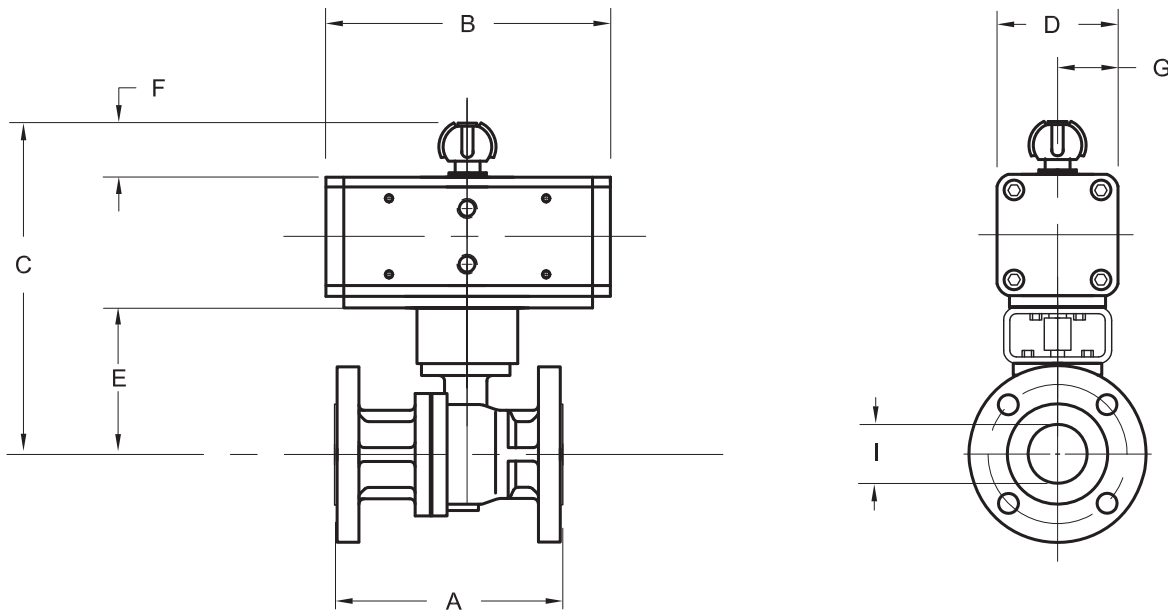
- O Series double acting pneumatic actuator
- Corrosion resistant coating
- NAMUR solenoid mounting pad, ISO 5211 mounting standard
- Visual position indicator
- High duty cycle, permanent lubrication
- Temperature range: -4°F to 175°F

# 150F\_S ODA .5 - 2

Full port ball valve with double acting pneumatic actuator

150# Flanged 2-pc body 50/50 Seats

Actuators are sized for 150 psi pressure differential



## DIMENSIONS, WEIGHTS & SPECIFICATIONS

Size	A	B	C	D	E	F	G	I	Actuator	Wt.(lbs.)	Model No.
80 psig Minimum Actuator Air Supply = 8D											
1/2"	4.25	5.12	7.69	2.17	4.54	.79	1.08	.59	PD030	11.2	C150F * S O8D
3/4"	4.62	5.12	7.85	2.17	4.70	.79	1.08	.79	PD030	12.2	D150F * S O8D
1"	5.00	5.67	8.43	2.36	5.06	.79	1.18	.98	PD045	15.3	E150F * S O8D
1-1/2"	6.50	5.98	9.49	2.83	5.65	.79	1.41	1.50	PD090	23.6	G150F * S O8D
2"	7.00	7.24	10.46	3.15	5.90	1.18	1.57	1.97	PD120	32.2	H150F * S O8D
60 psig Minimum Actuator Air Supply = 6D											
1/2"	4.25	5.12	7.69	2.17	4.54	.79	1.08	.59	PD030	11.2	C150F * S O6D
3/4"	4.62	5.67	8.07	2.36	4.70	.79	1.08	.79	PD045	12.8	D150F * S O6D
1"	5.00	5.67	8.43	2.36	5.06	.79	1.08	.98	PD045	15.3	E150F * S O6D
1-1/2"	6.50	7.24	10.21	3.15	5.65	1.18	1.57	1.50	PD120	25.7	G150F * S O6D
2"	7.00	8.35	10.86	3.54	5.90	1.18	1.77	1.97	PD180	33.5	H150F * S O6D

Note: Dimensions "C" & "E" include a 3" high mounting bracket

\*C = Carbon Stl Body, 316SS Trim  
\*S = 316SS Body & Trim

### 150 VALVE SPECIFICATIONS

- 150F Class 150
- Standard Steam Working Pressure: 150SWP, optional 300PSIG
- Protected Seat Design
- Fire Safe Designed to API607-5
- Spiral Wound Body Gasket w/Secondary metal to metal seat
- Carbon Steel or Stainless Steel Body
- Seats: 50/50
- Max Temp: 50/50 seats: 525°F

### PNEUMATIC ACTUATOR FEATURES

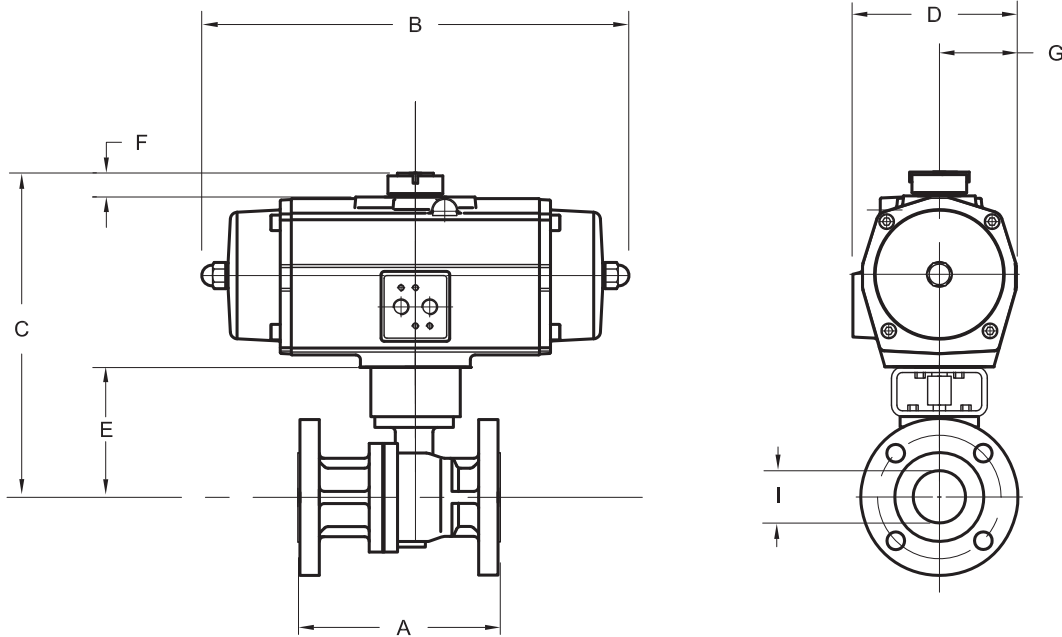
- O Series double acting pneumatic actuator
- Corrosion resistant coating
- NAMUR solenoid mounting pad, ISO 5211 mounting standard
- Visual position indicator
- High duty cycle, permanent lubrication
- Temperature range: -4°F to 175°F

# 150F\_F ESR .5 - 2

Full port ball valve with spring return pneumatic actuator

150# Flanged 2-pc body TFM Seats

Actuators are sized for 150 psi pressure differential



## DIMENSIONS, WEIGHTS & SPECIFICATIONS

Size	A	B	C	D	E	F	G	I	Actuator	Wt.(lbs.)	Model No.
<b>80 psig Minimum Actuator Air Supply = 8S</b>											
1/2"	4.25	8.03	8.99	3.78	4.54	.79	1.70	.59	ES40	14.3	C150F * F E8S ①
3/4"	4.62	8.03	9.15	3.78	4.70	.79	1.70	.79	ES40	15.3	D150F * F E8S ①
1"	5.00	8.03	9.51	3.78	5.06	.79	1.70	.98	ES40	17.8	E150F * F E8S ①
1-1/2"	6.50	10.51	11.09	4.60	5.65	.79	2.12	1.50	ES100	29.6	G150F * F E8S ①
2"	7.00	14.17	12.32	5.39	5.90	.79	2.52	1.97	ES200	46.1	H150F * F E8S ①
<b>60 psig Minimum Actuator Air Supply = 6S</b>											
1/2"	4.25	8.03	8.99	3.78	4.54	.79	1.70	.59	ES40	14.3	C150F * F E6S ①
3/4"	4.62	9.80	9.62	4.19	4.70	.79	1.93	.79	ES65	17.9	D150F * F E6S ①
1"	5.00	9.80	9.98	4.19	5.06	.79	1.93	.98	ES65	20.4	E150F * F E6S ①
1-1/2"	6.50	14.17	12.07	5.39	5.65	.79	2.52	1.50	ES200	39.6	G150F * F E6S ①
2"	7.00	14.17	12.32	5.39	5.90	.79	2.52	1.97	ES200	46.1	H150F * F E6S ①

Note: Dimensions "C" & "E" include a 3" high mounting bracket

\*C = Carbon Stl Body, 316SS Trim

\*S = 316SS Body & Trim

① C=Fail Close, O=Fail Open

## 150 VALVE SPECIFICATIONS

- 150F Class 150
- Standard Steam Working Pressure: 150SWP, optional 300PSIG
- Protected Seat Design
- Fire Safe Designed to API607-5
- Spiral Wound Body Gasket w/Secondary metal to metal seat
- Carbon Steel or Stainless Steel Body
- Seats: TFM
- Max Temp: TFM seats: 475°F

## PNEUMATIC ACTUATOR FEATURES

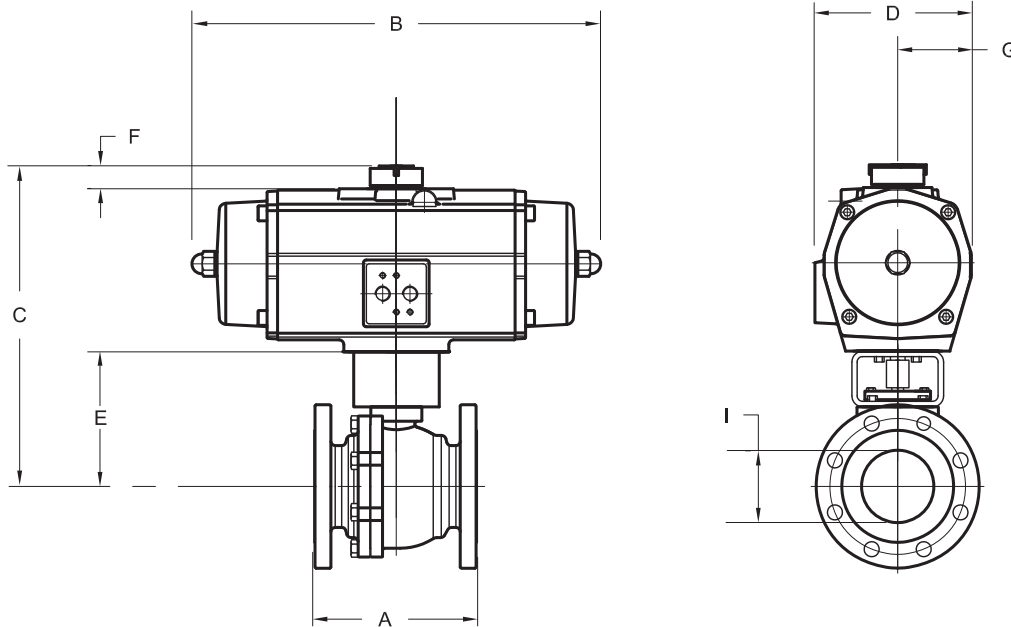
- E Series spring return rack and pinion pneumatic actuator
- Corrosion resistant coating
- NAMUR solenoid mounting pad, ISO 5211 mounting standard
- Visual position indicator
- High duty cycle, permanent lubrication
- Temperature range: -4°F to 175°F

# 150F\_F ESR 3 - 8

Full port ball valve with spring return pneumatic actuator

150# Flanged 2-pc body TFM Seats

Actuators are sized for 150 psi pressure differential



## DIMENSIONS, WEIGHTS & SPECIFICATIONS

Size	A	B	C	D	E	F	G	I	Actuator	Wt.(lbs.)	Model No.
<b>80 psig Minimum Actuator Air Supply = 8S</b>											
3"	8.00	15.24	14.59	7.12	6.67	.79	3.41	3.00	ES350	84.8	J150F * F E8S ①
4"	9.00	18.78	18.24	8.52	8.40	1.18	4.08	4.00	ES600	132.8	K150F * F E8S ①
6"	15.50	25.08	24.07	10.81	11.20	1.18	5.21	5.98	ES1600	320.1	M150F * F E8S ①
8"	18.00	32.83	27.74	15.35	11.60	1.18	7.48	7.87	PS4000	563.0	N150F * F E8S ①
<b>60 psig Minimum Actuator Air Supply = 6S</b>											
3"	8.00	18.78	16.51	8.52	6.67	1.18	4.08	3.00	ES600	108.3	J150F * F E6S ①
4"	9.00	18.78	18.24	8.52	8.40	1.18	4.08	4.00	ES600	132.8	K150F * F E6S ①
6"	15.50	22.44	26.40	14.17	11.20	1.18	6.89	5.98	PS2500	369.0	M150F * F E6S ①
8"	18.00	32.83	27.74	15.35	11.60	1.18	7.48	7.87	PS4000	563.0	N150F * F E6S ①

Note: Dimensions "C" & "E" include a 3" high mounting bracket on 3" valve and a 4" high mounting bracket on 4" - 8" valves

\*C = Carbon Stl Body, 316SS Trim  
\*S = 316SS Body & Trim  
① C=Fail Close, O=Fail Open

## 150 VALVE SPECIFICATIONS

- 150F Class 150
- Standard Steam Working Pressure: 150SWP, optional 300PSIG
- Protected Seat Design
- Fire Safe Designed to API607-5
- Spiral Wound Body Gasket w/Secondary metal to metal seat
- Carbon Steel or Stainless Steel Body
- Seats: TFM
- Max Temp: TFM seats: 475°F

## PNEUMATIC ACTUATOR FEATURES

- E Series spring return rack and pinion pneumatic actuator
- Corrosion resistant coating
- NAMUR solenoid mounting pad, ISO 5211 mounting standard
- Visual position indicator
- High duty cycle, permanent lubrication
- Temperature range: -4°F to 175°F

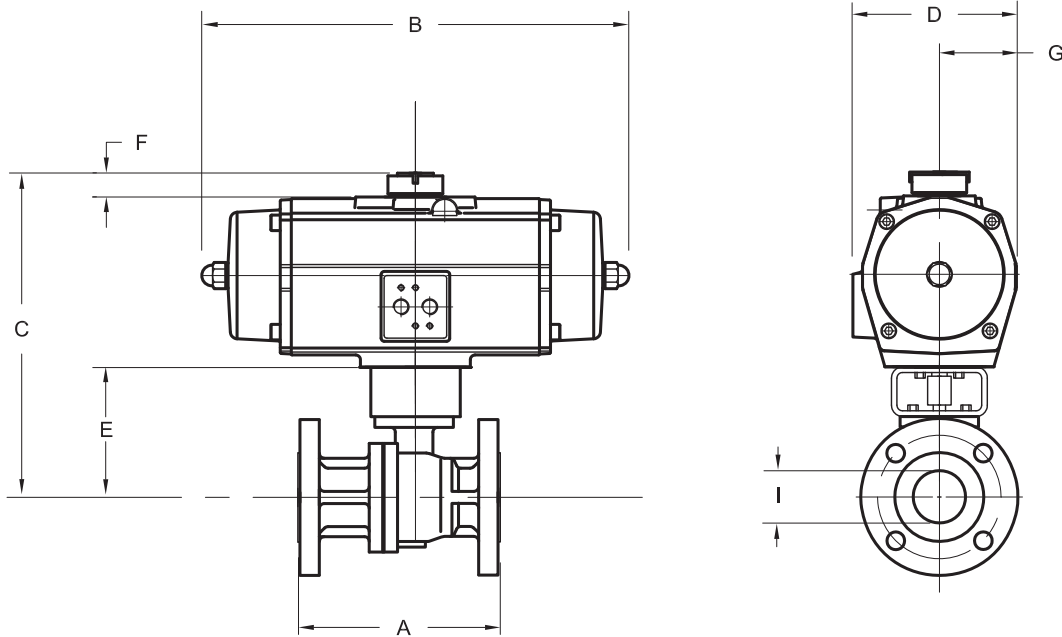


# 150F\_S ESR .5 - 2

Full port ball valve with spring return pneumatic actuator

150# Flanged 2-pc body 50/50 Seats

Actuators are sized for 150 psi pressure differential



## DIMENSIONS, WEIGHTS & SPECIFICATIONS

Size	A	B	C	D	E	F	G	I	Actuator	Wt.(lbs.)	Model No.
<b>80 psig Minimum Actuator Air Supply = 8S</b>											
1/2"	4.25	8.03	8.99	3.78	4.54	.79	1.70	.59	ES40	14.3	C150F * S E8S ①
3/4"	4.62	8.03	9.15	3.78	4.70	.79	1.70	.79	ES40	15.3	D150F * S E8S ①
1"	5.00	9.80	9.98	4.19	5.06	.79	1.93	.98	ES65	20.4	E150F * S E8S ①
1-1/2"	6.50	14.17	12.07	5.39	5.65	.79	2.52	1.50	ES200	39.6	G150F * S E8S ①
2"	7.00	14.17	12.32	5.39	5.90	.79	2.52	1.97	ES200	46.1	H150F * S E8S ①
<b>60 psig Minimum Actuator Air Supply = 6S</b>											
1/2"	4.25	6.77	9.46	3.26	4.54	.79	1.93	.59	ES65	16.9	C150F * S E6S ①
3/4"	4.62	8.03	9.62	3.78	4.70	.79	1.93	.79	ES65	17.9	D150F * S E6S ①
1"	5.00	9.80	9.98	4.19	5.06	.79	1.93	.98	ES65	20.4	E150F * S E6S ①
1-1/2"	6.50	10.51	12.07	4.60	5.65	.79	2.52	1.50	ES200	39.6	G150F * S E6S ①
2"	7.00	14.17	13.82	5.39	5.90	.79	3.41	1.97	ES350	63.3	H150F * S E6S ①

Note: Dimensions "C" & "E" include a 3" high mounting bracket

\*C = Carbon Stl Body, 316SS Trim

\*S = 316SS Body & Trim

① C=Fail Close, O=Fail Open

## 150 VALVE SPECIFICATIONS

- 150F Class 150
- Standard Steam Working Pressure: 150SWP, optional 300PSIG
- Protected Seat Design
- Fire Safe Designed to API607-5
- Spiral Wound Body Gasket w/Secondary metal to metal seat
- Carbon Steel or Stainless Steel Body
- Seats: 50/50
- Max Temp: 50/50 seats: 525°F

## PNEUMATIC ACTUATOR FEATURES

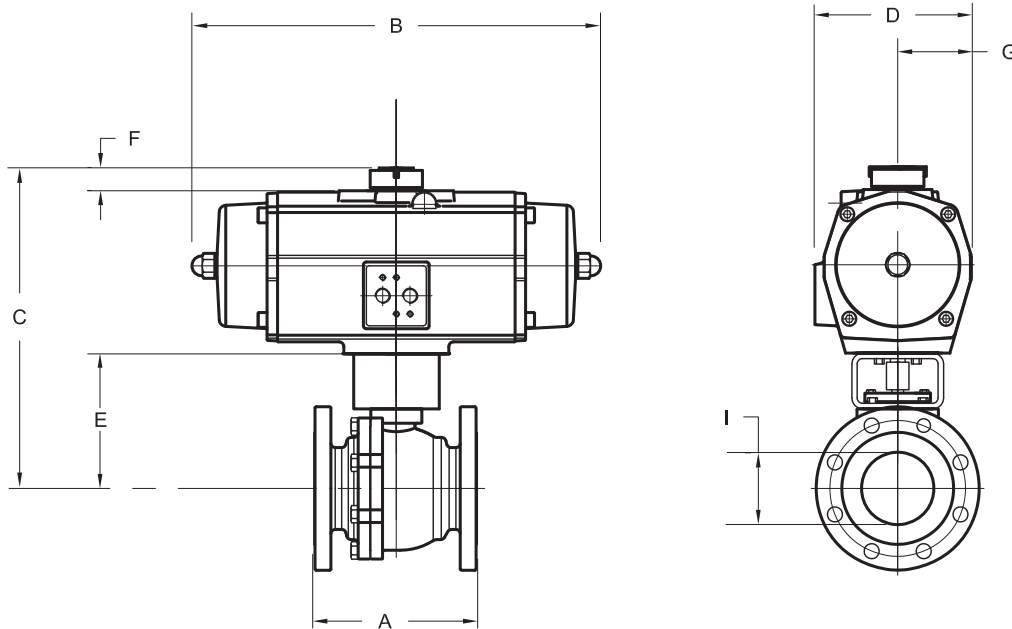
- E Series spring return rack and pinion pneumatic actuator
- Corrosion resistant coating
- NAMUR solenoid mounting pad, ISO 5211 mounting standard
- Visual position indicator
- High duty cycle, permanent lubrication
- Temperature range: -4°F to 175°F

# 150F\_S ESR 3 - 8

Full port ball valve with spring return pneumatic actuator

150# Flanged 2-pc body 50/50 Seats

Actuators are sized for 150 psi pressure differential



## DIMENSIONS, WEIGHTS & SPECIFICATIONS

Size	A	B	C	D	E	F	G	I	Actuator	Wt.(lbs.)	Model No.
<b>80 psig Minimum Actuator Air Supply = 8S</b>											
3"	8.00	15.24	14.59	7.12	6.67	.79	3.41	3.00	ES350	84.8	J150F * S E8S ①
4"	9.00	20.35	19.78	9.51	8.40	1.18	4.54	4.00	ES950	157.1	K150F * S E8S ①
6"	15.50	22.44	26.40	14.17	11.20	1.18	6.89	5.98	PS2500	369.0	M150F * S E8S ①
8"	18.00	32.83	27.74	15.35	11.60	1.18	7.48	7.87	PS4000	572.0	N150F * S E8S ①
<b>60 psig Minimum Actuator Air Supply = 6S</b>											
3"	8.00	18.78	16.51	8.52	6.67	1.18	4.08	3.00	ES600	108.3	J150F * S E6S ①
4"	9.00	20.35	19.78	9.51	8.40	1.18	4.54	4.00	ES950	157.1	K150F * S E6S ①
6"	15.50	22.44	26.40	14.17	11.20	1.18	6.89	5.98	PS2500	369.0	M150F * S E6S ①
8"									N/A		

Note: Dimensions "C" & "E" include a 3" high mounting bracket on 3" valve and a 4" high mounting bracket on 4" - 8" valves

\*C = Carbon Stl Body, 316SS Trim  
\*S = 316SS Body & Trim  
① C=Fail Close, O=Fail Open

## 150 VALVE SPECIFICATIONS

- 150F Class 150
- Standard Steam Working Pressure: 150SWP, optional 300PSIG
- Protected Seat Design
- Fire Safe Designed to API607-5
- Spiral Wound Body Gasket w/Secondary metal to metal seat
- Carbon Steel or Stainless Steel Body
- Seats: 50/50
- Max Temp: 50/50 seats: 525°F

## PNEUMATIC ACTUATOR FEATURES

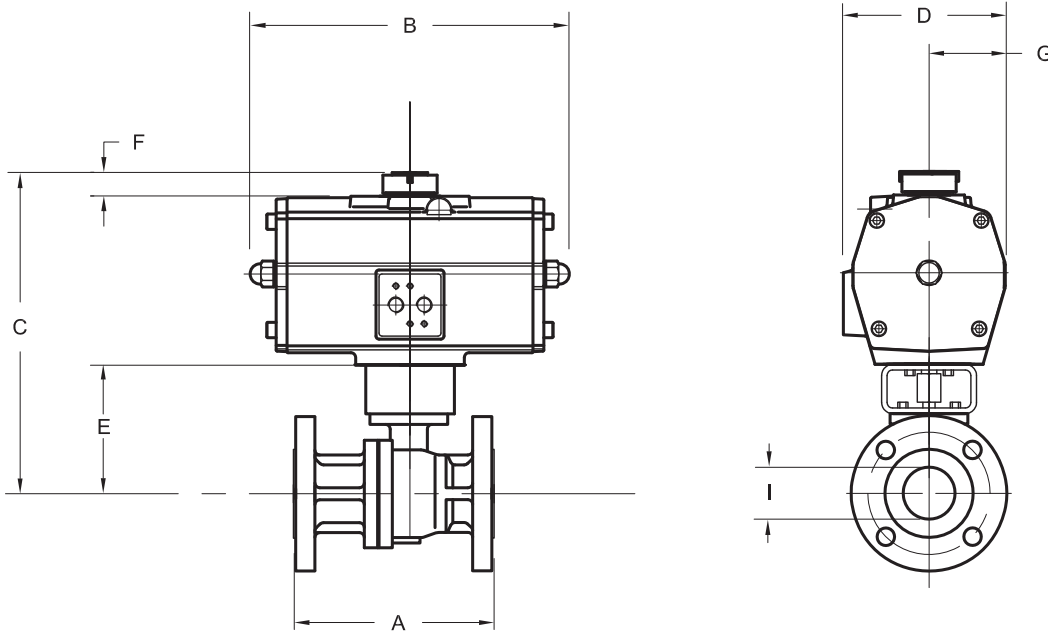
- E Series spring return rack and pinion pneumatic actuator
- Corrosion resistant coating
- NAMUR solenoid mounting pad, ISO 5211 mounting standard
- Visual position indicator
- High duty cycle, permanent lubrication
- Temperature range: -4°F to 175°F

# 150F\_F EDA .5 - 2

Full port ball valve with double acting pneumatic actuator

150# Flanged 2-pc body TFM Seats

Actuators are sized for 150 psi pressure differential



## DIMENSIONS, WEIGHTS & SPECIFICATIONS

Size	A	B	C	D	E	F	G	I	Actuator	Wt.(lbs.)	Model No.
<b>80 psig Minimum Actuator Air Supply = 8D</b>											
1/2"	4.25	6.26	8.48	3.26	4.54	.79	1.46	.59	ED25	11.9	C150F * F E8D
3/4"	4.62	6.26	8.64	3.26	4.70	.79	1.46	.79	ED25	12.9	D150F * F E8D
1"	5.00	6.26	9.00	3.26	5.06	.79	1.46	.98	ED25	15.4	E150F * F E8D
1-1/2"	6.50	7.09	10.10	3.78	5.65	.79	1.70	1.50	ED40	23.5	G150F * F E8D
2"	7.00	7.83	18.82	4.19	5.90	.79	1.93	1.97	ED65	31.3	H150F * F E8D
<b>60 psig Minimum Actuator Air Supply = 6D</b>											
1/2"	4.25	6.26	11.78	3.26	4.54	.79	1.46	.59	ED25	11.9	C150F * F E6D
3/4"	4.62	6.26	11.94	3.26	4.70	.79	1.46	.79	ED25	12.9	D150F * F E6D
1"	5.00	6.26	12.30	3.26	5.06	.79	1.46	.98	ED25	15.4	E150F * F E6D
1-1/2"	6.50	7.83	13.40	4.19	5.65	.79	1.93	1.50	ED65	24.8	G150F * F E6D
2"	7.00	7.83	14.12	4.19	5.90	.79	1.93	1.97	ED65	31.3	H150F * F E6D

Note: Dimensions "C" & "E" include a 3" high mounting bracket

\*C = Carbon Stl Body, 316SS Trim

\*S = 316SS Body & Trim

### 150 VALVE SPECIFICATIONS

- 150F Class 150
- Standard Steam Working Pressure: 150SWP, optional 300PSIG
- Protected Seat Design
- Fire Safe Designed to API607-5
- Spiral Wound Body Gasket w/Secondary metal to metal seat
- Carbon Steel or Stainless Steel Body
- Seats: TFM
- Max Temp: TFM seats: 475°F

### PNEUMATIC ACTUATOR FEATURES

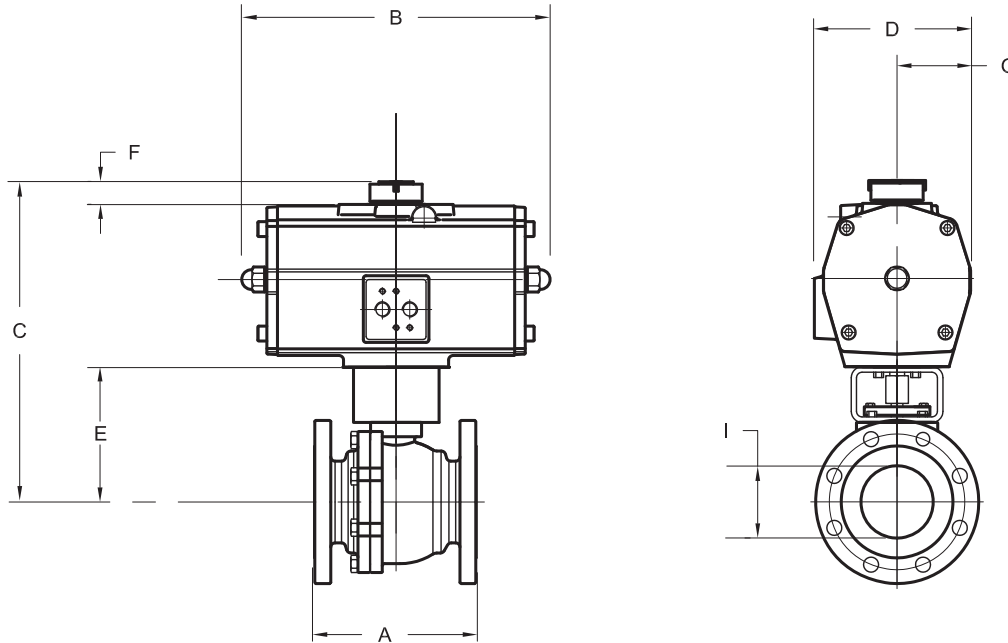
- E Series double acting rack and pinion pneumatic actuator
- Corrosion resistant coating
- NAMUR solenoid mounting pad, ISO 5211 mounting standard
- Visual position indicator
- High duty cycle, permanent lubrication
- Temperature range: -4°F to 175°F

# 150F\_F EDA 3 - 8

Full port ball valve with double acting pneumatic actuator

150# Flanged 2-pc body TFM Seats

Actuators are sized for 150 psi pressure differential



## DIMENSIONS, WEIGHTS & SPECIFICATIONS

Size	A	B	C	D	E	F	G	I	Actuator	Wt.(lbs.)	Model No.
<b>80 psig Minimum Actuator Air Supply = 8D</b>											
3"	8.00	11.14	12.11	4.60	6.67	.79	2.12	3.00	ED100	54.3	J150F * F E8D
4"	9.00	11.14	14.82	5.39	8.40	.79	2.52	4.00	ED200	84.8	K150F * F E8D
6"	15.50	15.24	21.04	8.52	11.20	1.18	4.08	5.98	ED600	217.8	M150F * F E8D
8"	18.00	20.31	24.47	10.81	11.60	1.18	5.21	7.87	ED1600	366.1	N150F * F E8D
<b>60 psig Minimum Actuator Air Supply = 6D</b>											
3"	8.00	11.14	13.09	5.39	6.67	.79	2.52	3.00	ED200	60.3	J150F * F E6D
4"	9.00	12.01	16.32	7.12	8.40	.79	3.41	4.00	ED350	94.9	K150F * F E6D
6"	15.50	16.69	22.58	9.51	11.20	1.18	4.54	5.98	ED950	233.2	M150F * F E6D
8"	18.00	20.31	24.47	10.81	11.60	1.18	5.21	7.87	ED1600	366.1	M150F * F E6D

Note: Dimensions "C" & "E" include a 3" high mounting bracket on 3" valve and a 4" high mounting bracket on 4" - 8" valves

\*C = Carbon Stl Body, 316SS Trim  
\*S = 316SS Body & Trim

## 150 VALVE SPECIFICATIONS

- 150F Class 150
- Standard Steam Working Pressure: 150SWP, optional 300PSIG
- Protected Seat Design
- Fire Safe Designed to API607-5
- Spiral Wound Body Gasket w/Secondary metal to metal seat
- Carbon Steel or Stainless Steel Body
- Seats: TFM
- Max Temp: TFM seats: 475°F

## PNEUMATIC ACTUATOR FEATURES

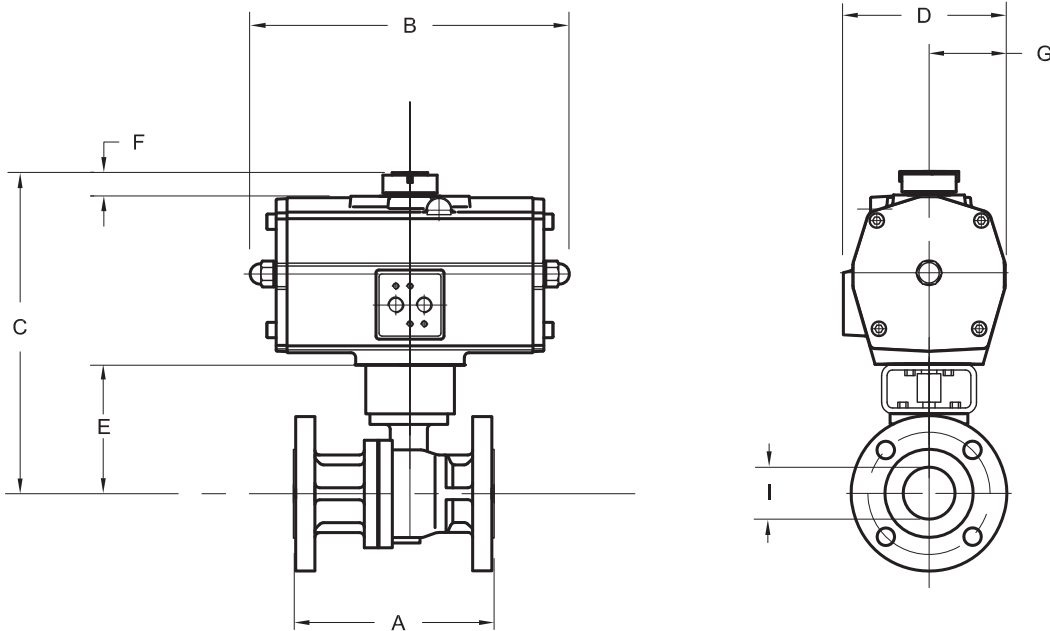
- E Series double acting rack and pinion pneumatic actuator
- Corrosion resistant coating
- NAMUR solenoid mounting pad, ISO 5211 mounting standard
- Visual position indicator
- High duty cycle, permanent lubrication
- Temperature range: -4°F to 175°F

# 150F\_S EDA .5 - 2

Full port ball valve with double acting pneumatic actuator

150# Flanged 2-pc body 50/50 Seats

Actuators are sized for 150 psi pressure differential



## DIMENSIONS, WEIGHTS & SPECIFICATIONS

Size	A	B	C	D	E	F	G	I	Actuator	Wt.(lbs.)	Model No.
<b>80 psig Minimum Actuator Air Supply = 8D</b>											
1/2"	4.25	6.26	8.48	3.26	4.54	.79	1.46	.59	ED25	11.9	C150F * S E8D
3/4"	4.62	6.26	8.64	3.26	4.70	.79	1.46	.79	ED25	12.9	D150F * S E8D
1"	5.00	6.26	9.00	3.26	5.06	.79	1.46	.98	ED25	15.4	E150F * S E8D
1-1/2"	6.50	7.83	10.57	4.19	5.65	.79	1.93	1.50	ED65	24.8	G150F * S E8D
2"	7.00	7.83	10.82	4.19	5.90	.79	1.93	1.97	ED65	31.3	H150F * S E8D
<b>60 psig Minimum Actuator Air Supply = 6D</b>											
1/2"	4.25	6.26	8.48	3.26	4.54	.79	1.46	.59	ED25	11.9	C150F * S E6D
3/4"	4.62	6.26	8.64	3.26	4.70	.79	1.70	.79	ED25	12.9	D150F * S E6D
1"	5.00	6.26	9.00	3.26	5.06	.79	1.93	.98	ED25	15.4	E150F * S E6D
1-1/2"	6.50	7.83	10.57	4.19	5.65	.79	1.93	1.50	ED65	24.8	G150F * S E6D
2"	7.00	8.70	11.34	4.60	5.90	.79	2.12	1.97	ED100	32.8	H150F * S E6D

Note: Dimensions "C" & "E" include a 3" high mounting bracket

\*C = Carbon Stl Body, 316SS Trim  
\*S = 316SS Body & Trim

### 150 VALVE SPECIFICATIONS

- 150F Class 150
- Standard Steam Working Pressure: 150SWP, optional 300PSIG
- Protected Seat Design
- Fire Safe Designed to API607-5
- Spiral Wound Body Gasket w/Secondary metal to metal seat
- Carbon Steel or Stainless Steel Body
- Seats: 50/50
- Max Temp: 50/50 seats: 525°F

### PNEUMATIC ACTUATOR FEATURES

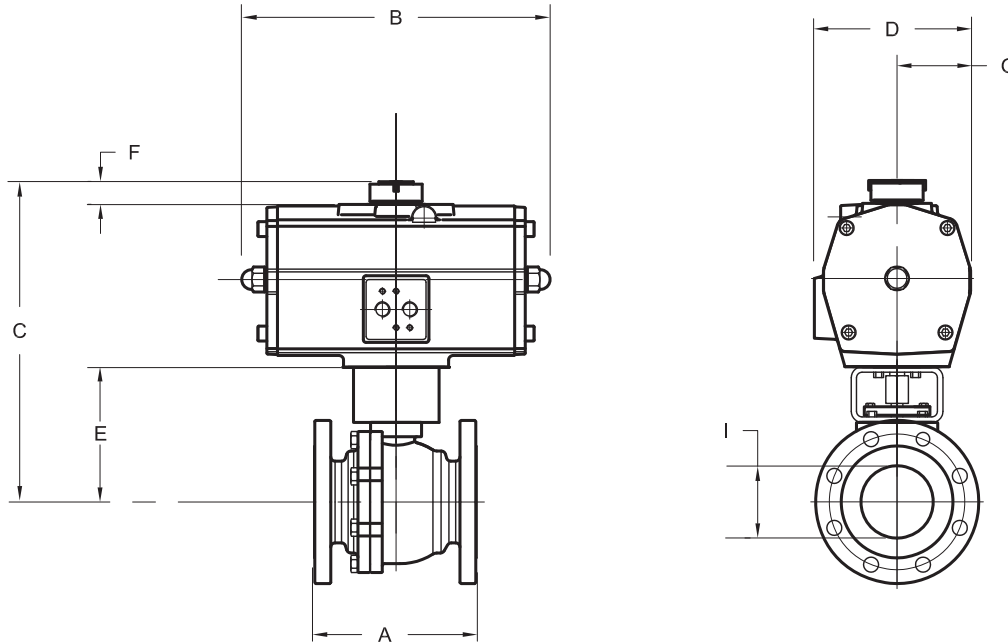
- E Series double acting rack and pinion pneumatic actuator
- Corrosion resistant coating
- NAMUR solenoid mounting pad, ISO 5211 mounting standard
- Visual position indicator
- High duty cycle, permanent lubrication
- Temperature range: -4°F to 175°F

# 150F\_S EDA 3 - 8

Full port ball valve with double acting pneumatic actuator

150# Flanged 2-pc body 50/50 Seats

Actuators are sized for 150 psi pressure differential



## DIMENSIONS, WEIGHTS & SPECIFICATIONS

Size	A	B	C	D	E	F	G	I	Actuator	Wt.(lbs.)	Model No.
<b>80 psig Minimum Actuator Air Supply = 8D</b>											
3"	8.00	11.14	13.09	5.39	6.67	.79	2.52	3.00	ED200	60.3	J150F * S E8D
4"	9.00	12.01	16.32	7.12	8.40	.79	3.41	4.00	ED350	94.9	K150F * S E8D
6"	15.50	16.69	22.58	9.51	11.20	1.18	4.54	5.98	ED950	233.2	M150F * S E8D
8"	18.00	20.31	24.47	10.81	11.60	1.18	5.21	7.87	ED1600	366.1	N150F * S E8D
<b>60 psig Minimum Actuator Air Supply = 6D</b>											
3"	8.00	11.14	13.09	5.39	6.67	.79	2.52	3.00	ED200	60.3	J150F * S E6D
4"	9.00	12.01	16.32	7.12	8.40	.79	3.41	4.00	ED350	94.9	K150F * S E6D
6"	15.50	20.31	24.07	10.81	11.20	1.18	5.21	5.98	ED1600	269.1	M150F * S E6D
8"	18.00	14.88	26.80	14.17	11.60	1.18	6.89	7.87	PD2500	397.0	M150F * S E6D

Note: Dimensions "C" & "E" include a 3" high mounting bracket on 3" valve and a 4" high mounting bracket on 4" - 8" valves

\*C = Carbon Stl Body, 316SS Trim  
\*S = 316SS Body & Trim

## 150 VALVE SPECIFICATIONS

- 150F Class 150
- Standard Steam Working Pressure: 150SWP, optional 300PSIG
- Protected Seat Design
- Fire Safe Designed to API607-5
- Spiral Wound Body Gasket w/Secondary metal to metal seat
- Carbon Steel or Stainless Steel Body
- Seats: 50/50
- Max Temp: 50/50 seats: 525°F

## PNEUMATIC ACTUATOR FEATURES

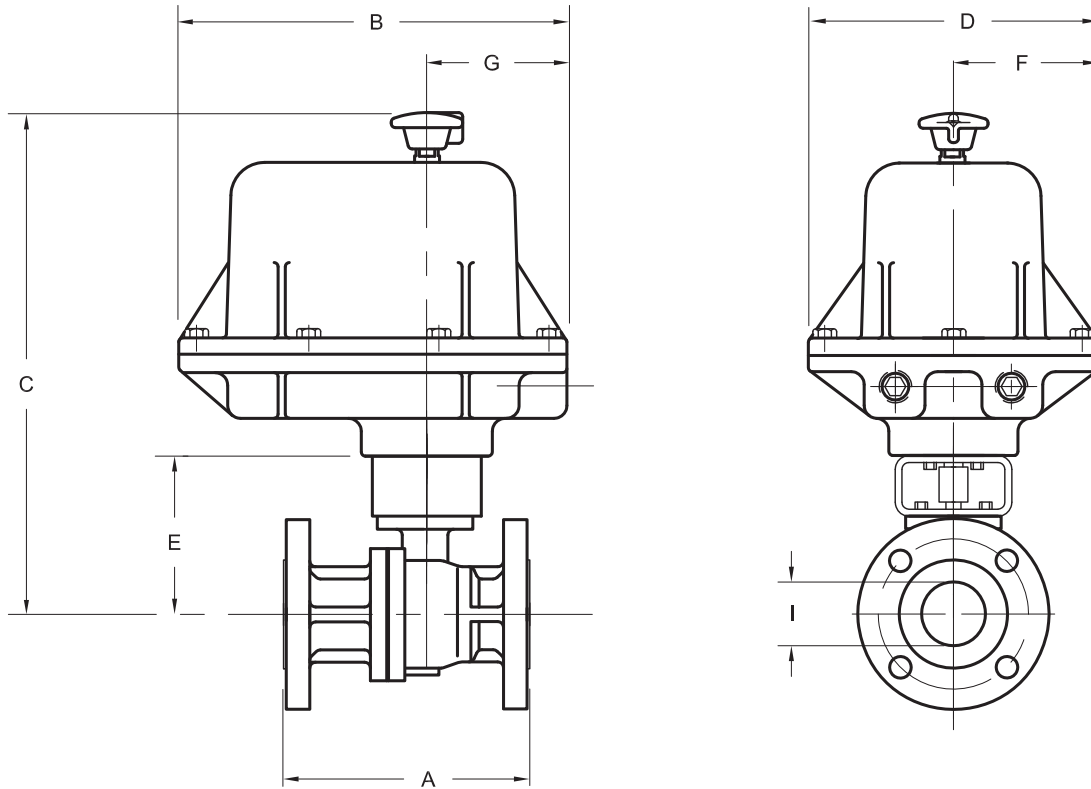
- E & P Series double acting rack and pinion pneumatic actuator
- Corrosion resistant coating
- NAMUR solenoid mounting pad, ISO 5211 mounting standard
- Visual position indicator
- High duty cycle, permanent lubrication
- Temperature range: -4°F to 175°F

# 150F\_F B7A .5 - 2

Full port ball valve with electric actuator, NEMA 7, 120vac

150# Flanged 2-pc body TFM Seats

Actuators are sized for 150 psi pressure differential



## DIMENSIONS, WEIGHTS & SPECIFICATIONS

Size	A	B	C	D	E	F	G	I	Actuator	Wt.(lbs.)	Model No.
1/2"	4.25	8.25	12.04	6.25	4.54	3.12	3.75	.59	EM310-30	27.0	C150F * F B7A
3/4"	4.62	8.25	12.16	6.25	4.66	3.12	3.75	.79	EM310-30	28.0	D150F * F B7A
1"	5.00	8.25	12.55	6.25	5.05	3.12	3.75	.98	EM310-30	30.5	E150F * F B7A
1-1/2"	6.50	8.25	13.10	6.25	5.60	3.12	3.75	1.50	EM310-30	37.5	G150F * F B7A
2"	7.00	8.25	13.40	6.25	5.90	3.12	3.75	1.97	EM310-30	44.0	H150F * F B7A

Note: Dimensions "C" & "E" include a 3" high mounting bracket

\*C = Carbon Stl Body, 316SS Trim

\*S = 316SS Body & Trim

### 150 VALVE SPECIFICATIONS

- 150F Class 150
- Standard Steam Working Pressure: 150SWP, optional 300PSIG
- Protected Seat Design
- Fire Safe Designed to API607-5
- Spiral Wound Body Gasket w/Secondary metal to metal seat
- Carbon Steel or Stainless Steel Body
- Seats: TFM
- Max Temp: TFM seats: 475°F

### ELECTRIC ACTUATOR FEATURES

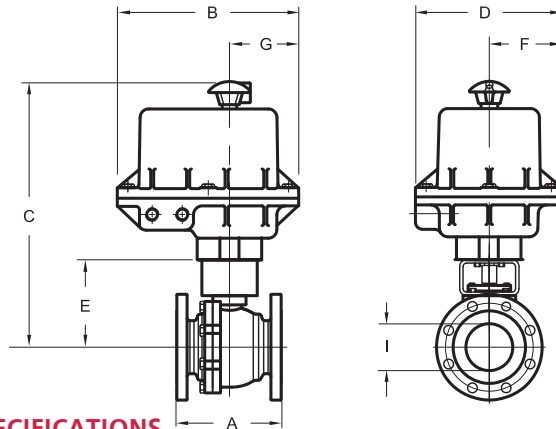
- B7 Series electric actuator
- NEMA 4, 4x, 7, & 9; CSA approved
- Weatherproof
- Class I Groups C and D, Div. 1
- Class II Groups E, F, & G
- (2) 1/2" NPT conduit entries
- Manual override
- Visual position Indicator
- CSA certified
- Temperature range: 0°F to 175°F

# 150F\_F B7A 3 - 8

Full port ball valve with electric actuator, NEMA 7, 120vac

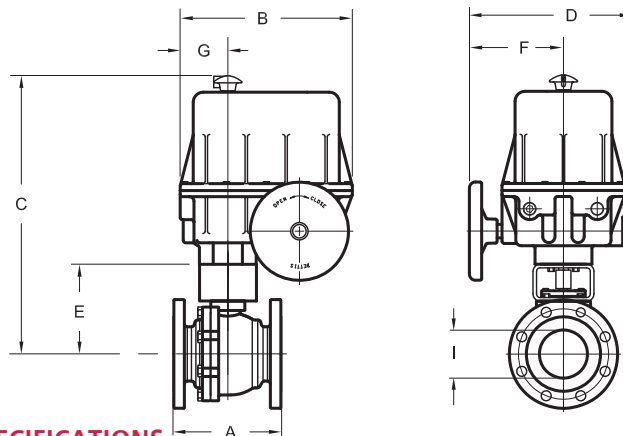
150# Flanged 2-pc body TFM Seats

Actuators are sized for 150 psi pressure differential



## DIMENSIONS, WEIGHTS & SPECIFICATIONS

Size	A	B	C	D	E	F	G	I	Actuator	Wt.(lbs.)	Model No.
3"	8.00	9.75	16.11	7.75	6.67	3.88	3.75	3.00	EM500-30	65.5	J150F * F B7A



## DIMENSIONS, WEIGHTS & SPECIFICATIONS

Size	A	B	C	D	E	F	G	I	Actuator	Wt.(lbs.)	Model No.
4"	9.00	14.00	23.72	13.31	8.40	7.62	3.88	4.00	EM810-30	232.0	K150F * F B7A
6"	15.50	14.00	23.72	13.31	11.20	7.62	3.88	5.98	EM820-30	335.0	M150F * F B7A
8"	18.00	14.00	23.72	13.31	11.60	7.62	3.88	7.87	EM840-48	432.0	N150F * F B7A

Note: Dimensions "C" & "E" include a 3" high mounting bracket on 3" valve and a 4" high mounting bracket on 4" - 8" valves

\*C = Carbon Stl Body, 316SS Trim  
\*S = 316SS Body & Trim

## 150 VALVE SPECIFICATIONS

- 150F Class 150
- Standard Steam Working Pressure: 150SWP, optional 300PSIG
- Protected Seat Design
- Fire Safe Designed to API607-5
- Spiral Wound Body Gasket w/Secondary metal to metal seat
- Carbon Steel or Stainless Steel Body
- Seats: TFM
- Max Temp: TFM seats: 475°F

## ELECTRIC ACTUATOR FEATURES

- B7 Series electric actuator
- NEMA 4, 4x, 7, & 9; CSA approved
- Weatherproof
- Class I Groups C and D, Div. 1
- Class II Groups E, F, & G
- (2) 1/2" NPT conduit entries
- Manual override
- Visual position Indicator
- CSA certified
- Temperature range: 0°F to 175°F

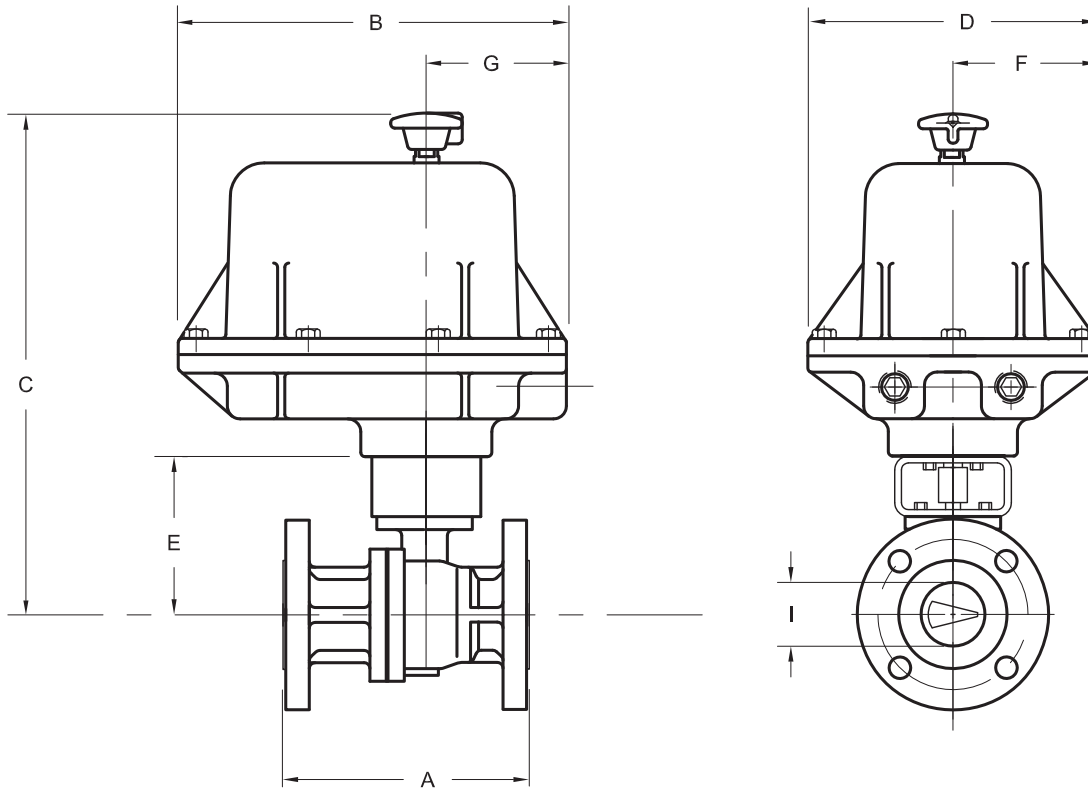


# 150F\_S B7A .5 - 1.5

Full port ball valve with electric actuator, NEMA 7, 120vac

150# Flanged 2-pc body 50/50 Seats

Actuators are sized for 150 psi pressure differential



## DIMENSIONS, WEIGHTS & SPECIFICATIONS

Size	A	B	C	D	E	F	G	I	Actuator	Wt.(lbs.)	Model No.
1/2"	4.25	8.25	12.04	6.25	4.54	3.12	3.75	.59	EM310-30	27.0	C150F * S B7A
3/4"	4.62	8.25	12.16	6.25	4.66	3.12	3.75	.79	EM310-30	28.0	D150F * S B7A
1"	5.00	8.25	12.55	6.25	5.05	3.12	3.75	.98	EM310-30	30.5	E150F * S B7A
1-1/2"	6.50	8.25	13.10	6.25	5.60	3.12	3.75	1.50	EM310-30	37.5	G150F * S B7A

Note: Dimensions "C" & "E" include a 3" high mounting bracket

\*C = Carbon Stl Body, 316SS Trim

\*S = 316SS Body & Trim

## 150 VALVE SPECIFICATIONS

- 150F Class 150
- Standard Steam Working Pressure: 150SWP, optional 300PSIG
- Protected Seat Design
- Fire Safe Designed to API607-5
- Spiral Wound Body Gasket w/Secondary metal to metal seat
- Carbon Steel or Stainless Steel Body
- Seats: 50/50
- Max Temp: 50/50 seats: 525°F

## ELECTRIC ACTUATOR FEATURES

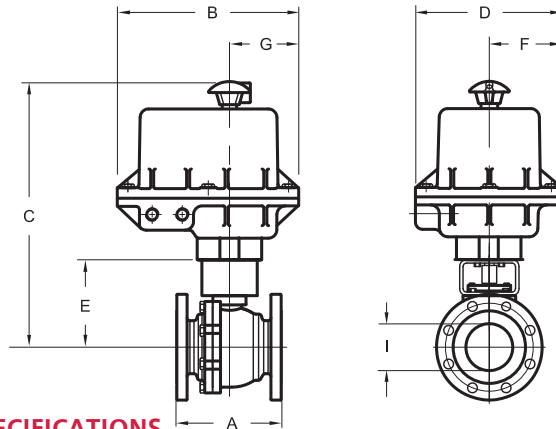
- B7 Series electric actuator
- NEMA 4, 4x, 7, & 9; CSA approved
- Weatherproof
- Class I Groups C and D, Div. 1
- Class II Groups E, F, & G
- (2) 1/2" NPT conduit entries
- Manual override
- Visual position Indicator
- CSA certified
- Temperature range: 0°F to 175°F

# 150F\_S B7A 2 - 8

Full port ball valve with electric actuator, NEMA 7, 120vac

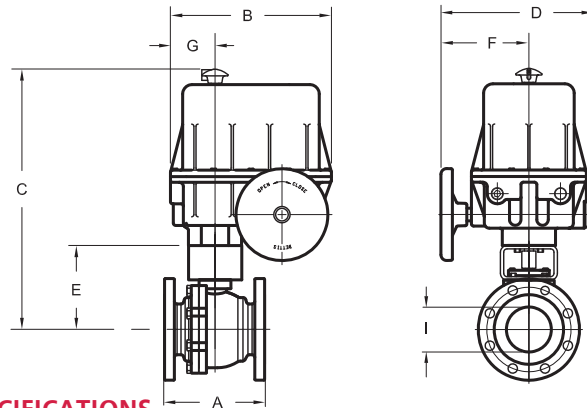
150# Flanged 2-pc body 50/50 Seats

Actuators are sized for 150 psi pressure differential



## DIMENSIONS, WEIGHTS & SPECIFICATIONS

Size	A	B	C	D	E	F	G	I	Actuator	Wt.(lbs.)	Model No.
2"	7.00	9.75	15.34	7.75	5.90	3.88	3.75	1.97	EM520-15	44.0	H150F * S B7A
3"	8.00	9.75	16.11	7.75	6.67	3.88	3.75	3.00	EM500-30	65.5	J150F * S B7A



## DIMENSIONS, WEIGHTS & SPECIFICATIONS

Size	A	B	C	D	E	F	G	I	Actuator	Wt.(lbs.)	Model No.
4"	9.00	14.00	23.72	13.31	8.40	7.62	3.88	4.00	EM810-30	232.0	K150F * S B7A
6"	15.50	14.00	23.72	13.31	11.20	7.62	3.88	5.98	EM830-30	335.0	M150F * S B7A
8"	18.00	14.00	23.72	13.31	11.60	7.62	3.88	7.87	EM840-72	432.0	N150F * S B7A

Note: Dimensions "C" & "E" include a 3" high mounting bracket on 2" & 3" valve and a 4" high mounting bracket on 4" - 8" valves

\*C = Carbon Stl Body, 316SS Trim  
\*S = 316SS Body & Trim

### 150 VALVE SPECIFICATIONS

- 150F Class 150
- Standard Steam Working Pressure: 150SWP, optional 300PSIG
- Protected Seat Design
- Fire Safe Designed to API607-5
- Spiral Wound Body Gasket w/Secondary metal to metal seat
- Carbon Steel or Stainless Steel Body
- Seats: 50/50
- Max Temp: 50/50 seats: 525°F

### ELECTRIC ACTUATOR FEATURES

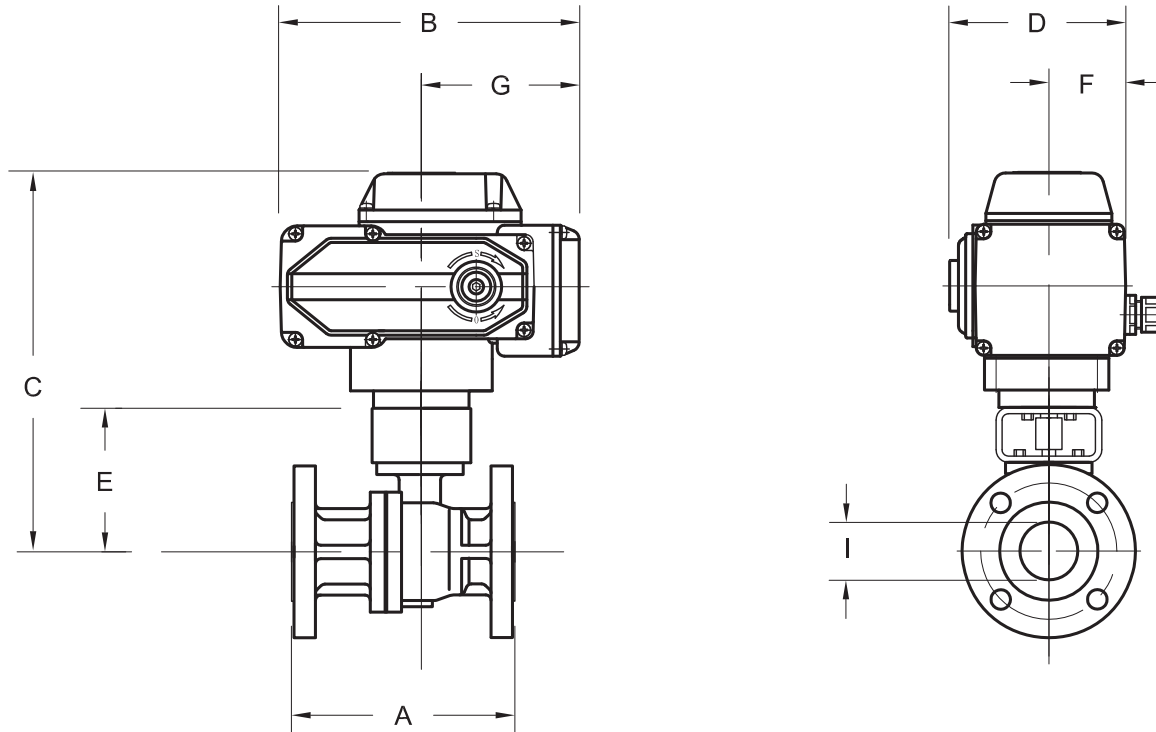
- B7 Series electric actuator
- NEMA 4, 4x, 7, & 9; CSA approved
- Weatherproof
- Class I Groups C and D, Div. 1
- Class II Groups E, F, & G
- (2) 1/2" NPT conduit entries
- Manual override
- Visual position Indicator
- CSA certified
- Temperature range: 0°F to 175°F

# 150F\_F K4A .5 - 2

Full port ball valve with electric actuator

150# Flanged 2-pc body TFM Seats

Actuators are sized for 150 psi pressure differential



## DIMENSIONS, WEIGHTS & SPECIFICATIONS

Size	A	B	C	D	E	F	G	I	Actuator	Wt.(lbs.)	Model No.
1/2"	4.25	6.24	8.62	4.51	4.54	2.00	2.99	.59	UNIC 05A	14.0	C150F * F K4A
3/4"	4.62	6.24	8.74	4.51	4.66	2.00	2.99	.79	UNIC 05A	15.0	D150F * F K4A
1"	5.00	6.24	9.13	4.51	5.05	2.00	2.99	.98	UNIC 05A	17.5	E150F * F K4A
1-1/2"	6.50	6.24	9.73	4.51	5.65	2.00	2.99	1.50	UNIC 05A	24.5	G150F * F K4A
2"	7.00	8.17	12.39	4.82	5.90	2.14	4.33	1.97	UNIC 10A	36.0	H150F * F K4A

Note: Dimensions "C" & "E" include a 3" high mounting bracket

\*C = Carbon Stl Body, 316SS Trim

\*S = 316SS Body & Trim

### 150 VALVE SPECIFICATIONS

- 150F Class 150
- Standard Steam Working Pressure: 150SWP, optional 300PSIG
- Protected Seat Design
- Fire Safe Designed to API607-5
- Spiral Wound Body Gasket w/Secondary metal to metal seat
- Carbon Steel or Stainless Steel Body
- Seats: TFM
- Max Temp: TFM seats: 475°F

### ELECTRIC ACTUATOR FEATURES

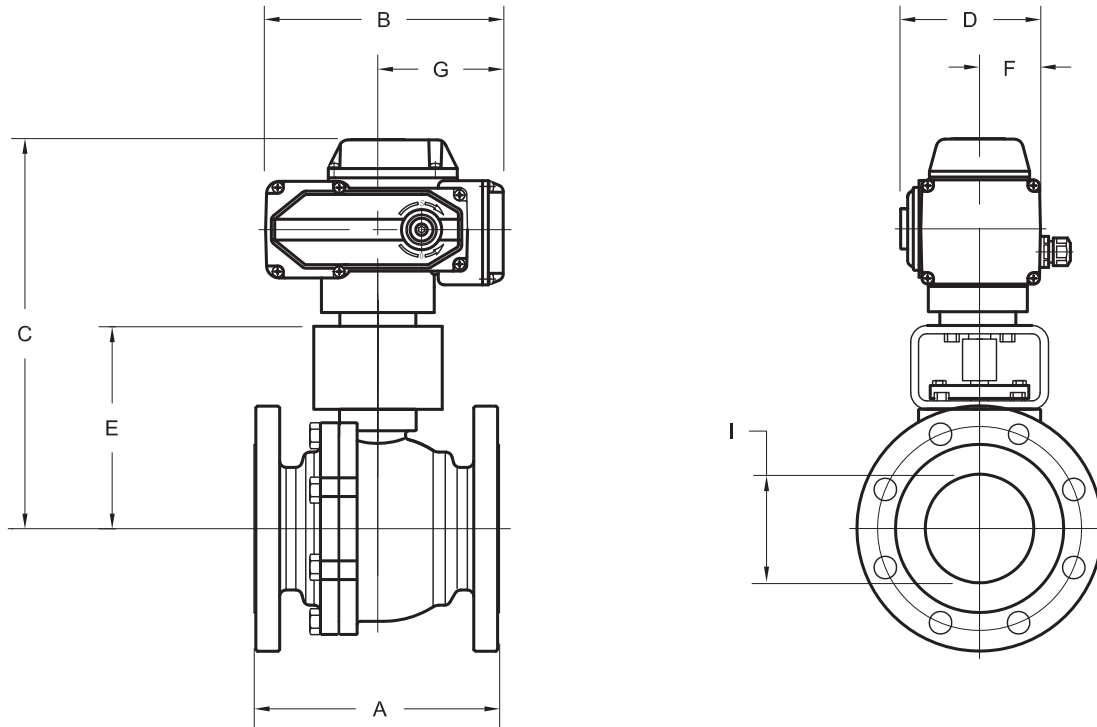
- K Series electric actuator
- Actuator speed: 25 sec.
- Most voltages available
- Quarter turn: 0-90° rotation
- NEMA 4/4X certified by UL labs
- ISO 5211 mounting standard
- Visual position indicator
- Self-locking drive train
- Mounts in any direction
- 1/2" NPT conduit connection
- CSA-NRTL /C and CE certified
- Temperature range: 0°F to 160°F

# 150F\_F K4A 3 - 8

Full port ball valve with electric actuator

150# Flanged 2-pc body TFM Seats

Actuators are sized for 150 psi pressure differential



## DIMENSIONS, WEIGHTS & SPECIFICATIONS

Size	A	B	C	D	E	F	G	I	Actuator	Wt.(lbs.)	Model No.
3"	8.00	10.10	13.95	6.16	6.67	2.46	5.25	3.00	UNIC 20A	65.5	J150F * F K4A
4"	9.00	10.10	15.68	6.16	8.40	2.46	5.25	4.00	UNIC 40A	90.0	K150F * F K4A
6"	15.50	15.00	20.41	9.53	11.20	4.13	7.85	5.98	UNIC 60A	221.2	M150F * F K4A
8"	18.00	15.00	20.81	9.98	11.60	4.13	7.85	7.87	UNIC 200A	324.9	N150F * F K4A

Note: Dimensions "C" & "E" include a 3" high mounting bracket on 3" valve and a 4" high mounting bracket on 4" - 8" valves

\*C = Carbon Stl Body, 316SS Trim  
\*S = 316SS Body & Trim

## 150 VALVE SPECIFICATIONS

- 150F Class 150
- Standard Steam Working Pressure: 150SWP, optional 300PSIG
- Protected Seat Design
- Fire Safe Designed to API607-5
- Spiral Wound Body Gasket w/Secondary metal to metal seat
- Carbon Steel or Stainless Steel Body
- Seats: TFM
- Max Temp: TFM seats: 475°F

## ELECTRIC ACTUATOR FEATURES

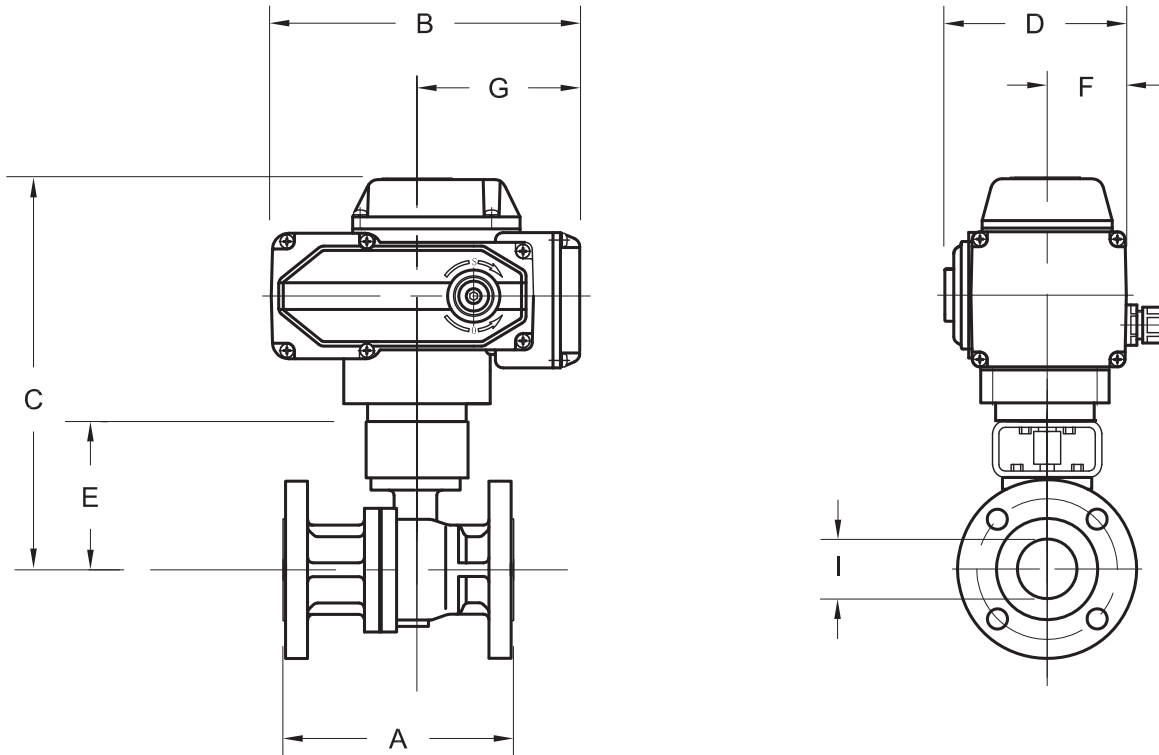
- K Series electric actuator
- Actuator speed: 25 sec.
- Most voltages available
- Quarter turn: 0-90° rotation
- NEMA 4/4X certified by UL labs
- ISO 5211 mounting standard
- Visual position indicator
- Self-locking drive train
- Mounts in any direction
- 1/2" NPT conduit connection
- CSA-NRTL /C and CE certified
- Temperature range: 0°F to 160°F

# 150F\_S K4A .5 - 2

Full port ball valve with electric actuator

150# Flanged 2-pc body 50/50 Seats

Actuators are sized for 150 psi pressure differential



## DIMENSIONS, WEIGHTS & SPECIFICATIONS

Size	A	B	C	D	E	F	G	I	Actuator	Wt.(lbs.)	Model No.
1/2"	4.25	6.24	9.25	4.51	4.54	2.00	2.99	.59	UNIC 05A	14.0	C150F * S K4A
3/4"	4.62	6.24	9.37	4.51	4.66	2.00	2.99	.79	UNIC 05A	15.0	D150F * S K4A
1"	5.00	6.24	9.76	4.51	5.05	2.00	2.99	.98	UNIC 05A	17.5	E150F * S K4A
1-1/2"	6.50	8.17	12.09	4.82	5.65	1.62	4.33	1.50	UNIC 10A	29.5	G150F * S K4A
2"	7.00	8.17	13.16	4.82	5.90	1.62	4.33	1.97	UNIC 10A	36.0	H150F * S K4A

Note: Dimensions "C" & "E" include a 3" high mounting bracket

\*C = Carbon Stl Body, 316SS Trim  
\*S = 316SS Body & Trim

### 150 VALVE SPECIFICATIONS

- 150F Class 150
- Standard Steam Working Pressure: 150SWP, optional 300PSIG
- Protected Seat Design
- Fire Safe Designed to API607-5
- Spiral Wound Body Gasket w/Secondary metal to metal seat
- Carbon Steel or Stainless Steel Body
- Seats: 50/50
- Max Temp: 50/50 seats: 525°F

### ELECTRIC ACTUATOR FEATURES

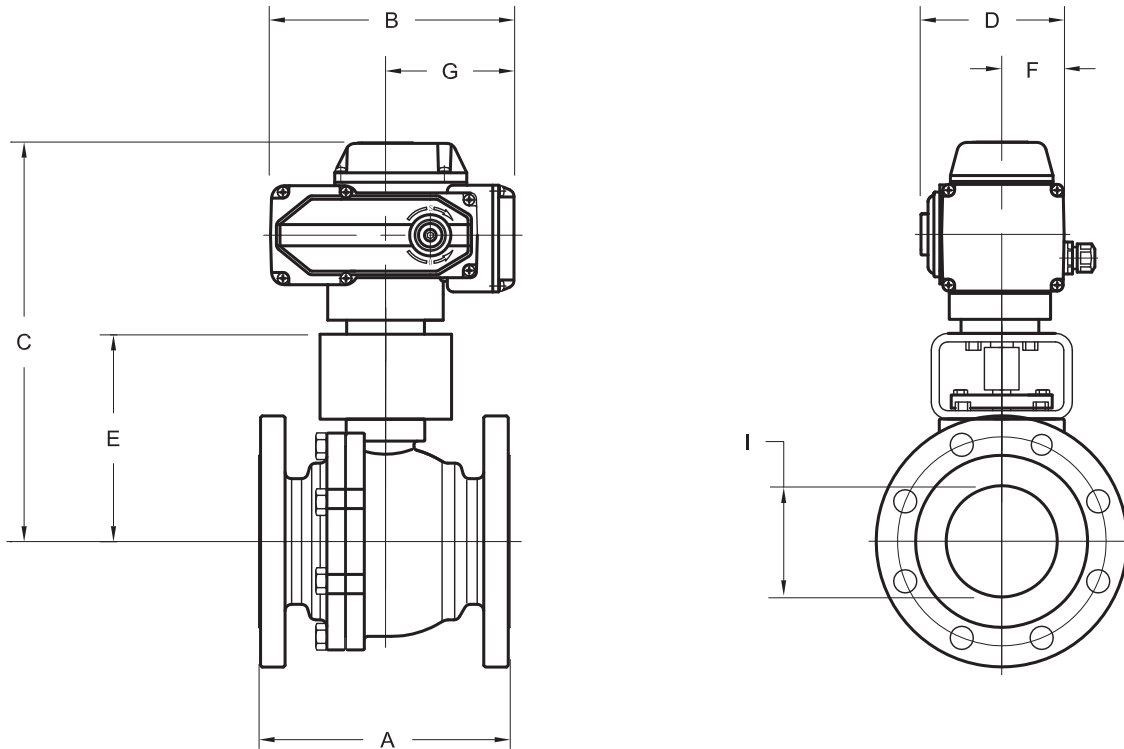
- K Series electric actuator
- Actuator speed: 25 sec.
- Most voltages available
- Quarter turn: 0-90° rotation
- NEMA 4/4X certified by UL labs
- ISO 5211 mounting standard
- Visual position indicator
- Self-locking drive train
- Mounts in any direction
- 1/2" NPT conduit connection
- CSA-NRTL /C and CE certified
- Temperature range: 0°F to 160°F

# 150F\_S K4A 3 - 8

Full port ball valve with electric actuator

150# Flanged 2-pc body 50/50 Seats

Actuators are sized for 150 psi pressure differential



## DIMENSIONS, WEIGHTS & SPECIFICATIONS

Size	A	B	C	D	E	F	G	I	Actuator	Wt.(lbs.)	Model No.
3"	8.00	10.10	13.95	6.16	6.67	2.46	5.25	3.00	UNIC 20A	65.5	J150F * S K4A
4"	9.00	15.00	15.68	6.16	8.40	2.46	5.25	4.00	UNIC 40A	90.0	K150F * S K4A
6"	15.50	15.00	20.41	9.53	11.20	4.13	7.85	5.98	UNIC 100A	222.7	M150F * S K4A
8"	18.00	15.00	20.81	9.98	11.60	4.13	7.85	7.87	UNIC 200A	324.9	N150F * S K4A

Note: Dimensions "C" & "E" include a 3" high mounting bracket on 3" valve and a 4" high mounting bracket on 4" - 8" valves

\*C = Carbon Stl Body, 316SS Trim

\*S = 316SS Body & Trim

## 150 VALVE SPECIFICATIONS

- 150F Class 150
- Standard Steam Working Pressure: 150SWP, optional 300PSIG
- Protected Seat Design
- Fire Safe Designed to API607-5
- Spiral Wound Body Gasket w/Secondary metal to metal seat
- Carbon Steel or Stainless Steel Body
- Seats: 50/50
- Max Temp: 50/50 seats: 525°F

## ELECTRIC ACTUATOR FEATURES

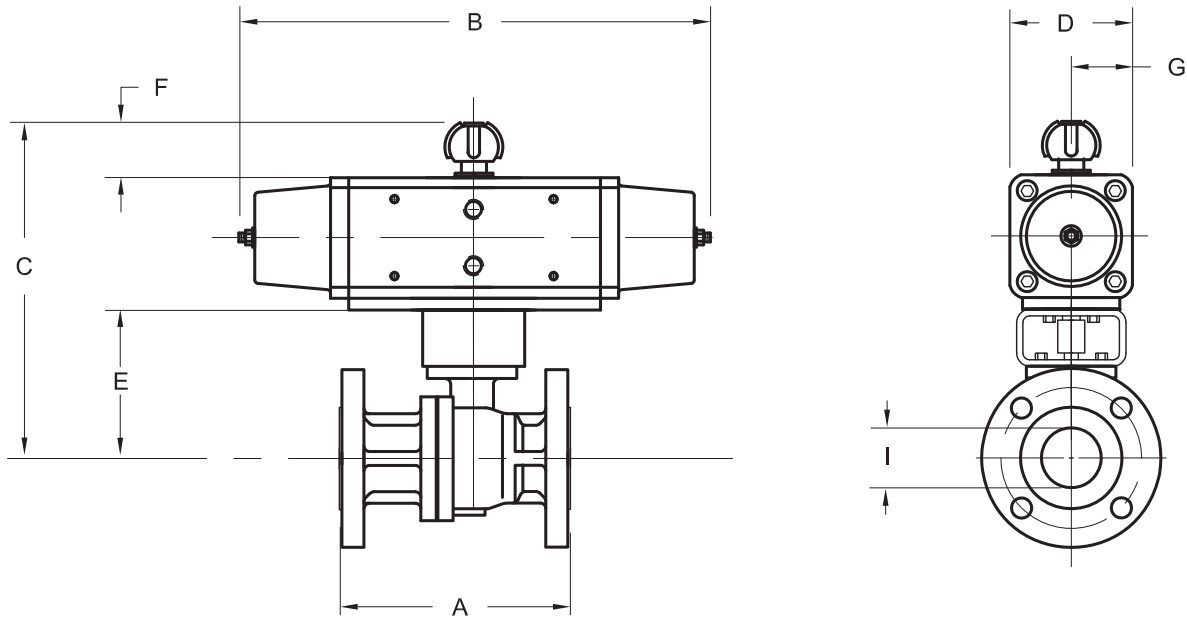
- K Series electric actuator
- Actuator speed: 25 sec.
- Most voltages available
- Quarter turn: 0-90° rotation
- NEMA 4/4X certified by UL labs
- ISO 5211 mounting standard
- Visual position indicator
- Self-locking drive train
- Mounts in any direction
- 1/2" NPT conduit connection
- CSA-NRTL /C and CE certified
- Temperature range: 0°F to 160°F

# 300F\_F OSR .5 - 2

Full port ball valve with spring return pneumatic actuator

300# Flanged 2-pc body TFM Seats

Actuators are sized for 150 psi pressure differential



## DIMENSIONS, WEIGHTS & SPECIFICATIONS

Size	A	B	C	D	E	F	G	I	Actuator	Wt.(lbs.)	Model No.
<b>80 psig Minimum Actuator Air Supply = 8S</b>											
1/2"	5.50	8.71	7.77	2.17	4.54	.79	1.08	.59	PS015	12.9	C300F * F O8S ①
3/4"	6.00	9.45	8.24	2.56	4.70	.79	1.28	.79	PS030	16.4	D300F * F O8S ①
1"	6.50	9.45	8.60	2.56	5.06	.79	1.28	.98	PS030	19.4	E300F * F O8S ①
1-1/2"	7.50	12.60	10.21	3.15	5.65	1.18	1.57	1.50	PS060	31.7	G300F * F O8S ①
2"	8.50	14.06	10.86	3.54	5.90	1.18	1.77	1.97	PS090	40.1	H300F * F O8S ①
<b>60 psig Minimum Actuator Air Supply = 6S</b>											
1/2"	5.50	9.45	8.08	2.56	4.54	.79	1.28	.59	PS030	14.4	C300F * F O6S ①
3/4"	6.00	9.45	8.24	2.56	4.70	.79	1.28	.79	PS030	16.4	D300F * F O6S ①
1"	6.50	9.45	8.60	2.56	5.06	.79	1.28	.98	PS030	19.4	E300F * F O6S ①
1-1/2"	7.50	14.06	10.61	3.54	5.65	1.18	1.77	1.50	PS090	34.1	G300F * F O6S ①
2"	8.50	14.06	10.86	3.54	5.90	1.18	1.77	1.97	PS090	40.1	H300F * F O6S ①

Note: Dimensions "C" & "E" include a 3" high mounting bracket

\*C = Carbon Stl Body, 316SS Trim

\*S = 316SS Body & Trim

① C=Fail Close, O=Fail Open

### 300 VALVE SPECIFICATIONS

- 300F Class 300
- Standard Steam Working Pressure: 150SWP, optional 300PSIG
- Protected Seat Design
- Fire Safe Designed to API607-5
- Spiral Wound Body Gasket w/Secondary metal to metal seat
- Carbon Steel or Stainless Steel Body
- Seats: TFM
- Max Temp: TFM seats: 475°F

### PNEUMATIC ACTUATOR FEATURES

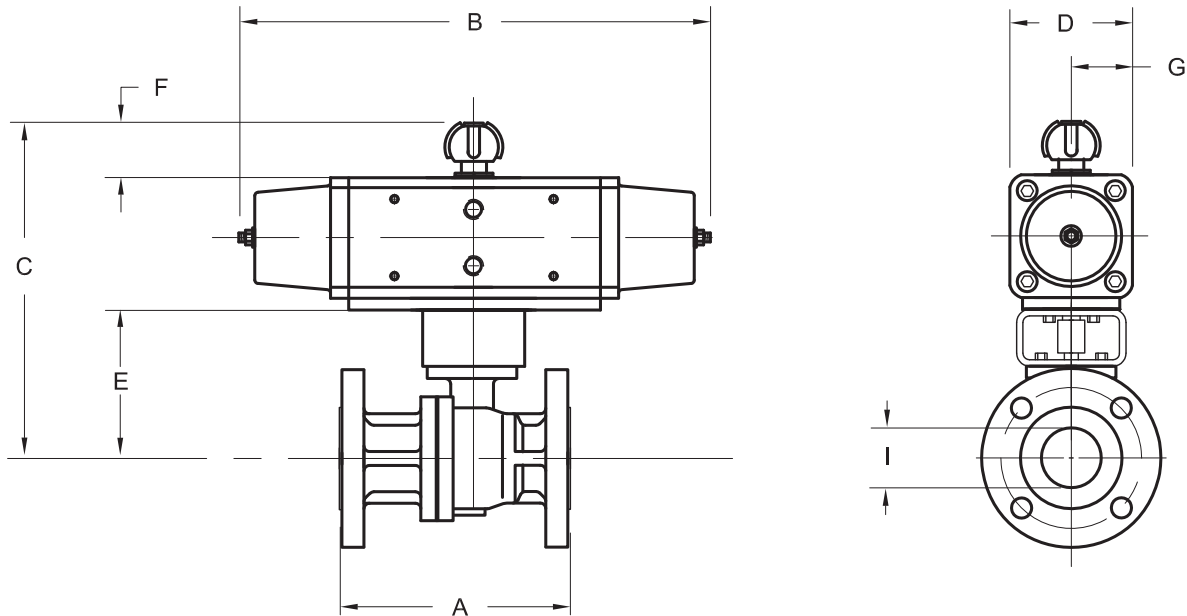
- O Series spring return pneumatic actuator
- Corrosion resistant coating
- NAMUR solenoid mounting pad, ISO 5211 mounting standard
- Visual position indicator
- High duty cycle, permanent lubrication
- Temperature range: -4°F to 175°F

# 300F\_S OSR .5 - 2

Full port ball valve with spring return pneumatic actuator

300# Flanged 2-pc body 50/50 Seats

Actuators are sized for 150 psi pressure differential



## DIMENSIONS, WEIGHTS & SPECIFICATIONS

Size	A	B	C	D	E	F	G	I	Actuator	Wt.(lbs.)	Model No.
<b>80 psig Minimum Actuator Air Supply = 8S</b>											
1/2"	5.50	9.45	8.08	2.56	4.54	.79	1.28	.59	PS030	14.4	C300F * S O8S ①
3/4"	6.00	9.45	8.24	2.56	4.70	.79	1.28	.79	PS030	16.4	D300F * S O8S ①
1"	6.50	9.45	8.60	2.56	5.06	.79	1.28	.98	PS030	19.4	E300F * S O8S ①
1-1/2"	7.50	14.06	10.61	3.54	5.65	1.18	1.77	1.50	PS090	34.1	G300F * S O8S ①
2"	8.50	14.65	11.25	3.94	5.90	1.18	1.97	1.97	PS120	44.7	H300F * S O8S ①
<b>60 psig Minimum Actuator Air Supply = 6S</b>											
1/2"	5.50	9.45	8.08	2.56	4.54	.79	1.28	.59	PS030	14.4	C300F * S O6S ①
3/4"	6.00	11.58	8.54	2.83	4.70	.79	1.41	.79	PS045	17.3	D300F * S O6S ①
1"	6.50	11.58	8.90	2.83	5.06	.79	1.41	.98	PS045	20.3	E300F * S O6S ①
1-1/2"	7.50	14.65	11.00	3.94	5.65	1.18	1.97	1.50	PS120	38.7	G300F * S O6S ①
2"	8.50	17.18	11.72	4.41	5.90	1.18	2.20	1.97	PS180	50.7	H300F * S O6S ①

Note: Dimensions "C" & "E" include a 3" high mounting bracket

\*C = Carbon Stl Body, 316SS Trim

\*S = 316SS Body & Trim

① C=Fail Close, O=Fail Open

### 300 VALVE SPECIFICATIONS

- 300F Class 300
- Standard Steam Working Pressure: 150SWP, optional 300PSIG
- Protected Seat Design
- Fire Safe Designed to API607-5
- Spiral Wound Body Gasket w/Secondary metal to metal seat
- Carbon Steel or Stainless Steel Body
- Seats: 50/50
- Max Temp: 50/50 seats: 525°F

### PNEUMATIC ACTUATOR FEATURES

- O Series spring return pneumatic actuator
- Corrosion resistant coating
- NAMUR solenoid mounting pad, ISO 5211 mounting standard
- Visual position indicator
- High duty cycle, permanent lubrication
- Temperature range: -4°F to 175°F

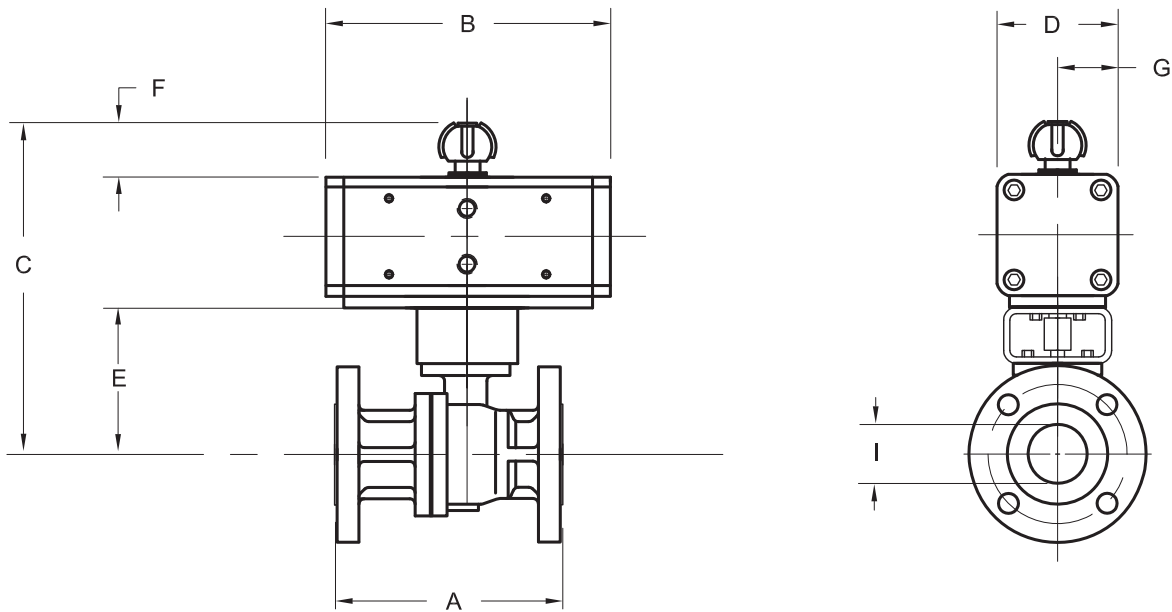


# 300F\_F ODA .5 - 2

Full port ball valve with double acting pneumatic actuator

300# Flanged 2-pc body TFM Seats

Actuators are sized for 150 psi pressure differential



## DIMENSIONS, WEIGHTS & SPECIFICATIONS

Size	A	B	C	D	E	F	G	I	Actuator	Wt.(lbs.)	Model No.
<b>80 psig Minimum Actuator Air Supply = 8D</b>											
1/2"	5.50	5.12	7.69	2.17	4.54	.79	1.08	.59	PD030	12.2	C300F * F O8D
3/4"	6.00	5.12	7.85	2.17	4.70	.79	1.08	.79	PD030	14.2	D300F * F O8D
1"	6.50	5.12	8.21	2.17	5.06	.79	1.08	.98	PD030	17.2	E300F * F O8D
1-1/2"	7.50	5.98	9.19	2.56	5.65	.79	1.28	1.50	PD060	27.4	G300F * F O8D
2"	8.50	6.65	9.74	2.83	5.90	.79	1.41	1.97	PD090	34.1	H300F * F O8D
<b>60 psig Minimum Actuator Air Supply = 6D</b>											
1/2"	5.50	5.12	7.69	2.17	4.54	.79	1.08	.59	PD030	12.2	C300F * F O6D
3/4"	6.00	5.12	7.85	2.17	4.70	.79	1.08	.79	PD030	14.2	D300F * F O6D
1"	6.50	5.12	8.21	2.17	5.06	.79	1.08	.98	PD030	17.2	E300F * F O6D
1-1/2"	7.50	6.65	9.49	2.83	5.65	.79	1.41	1.50	PD090	28.1	G300F * F O6D
2"	8.50	7.24	10.46	3.15	5.90	1.18	1.57	1.97	PD120	36.2	H300F * F O6D

Note: Dimensions "C" & "E" include a 3" high mounting bracket

\*C = Carbon Stl Body, 316SS Trim

\*S = 316SS Body & Trim

### 300 VALVE SPECIFICATIONS

- 300F Class 300
- Standard Steam Working Pressure: 150SWP, optional 300PSIG
- Protected Seat Design
- Fire Safe Designed to API607-5
- Spiral Wound Body Gasket w/Secondary metal to metal seat
- Carbon Steel or Stainless Steel Body
- Seats: TFM
- Max Temp: TFM seats: 475°F

### PNEUMATIC ACTUATOR FEATURES

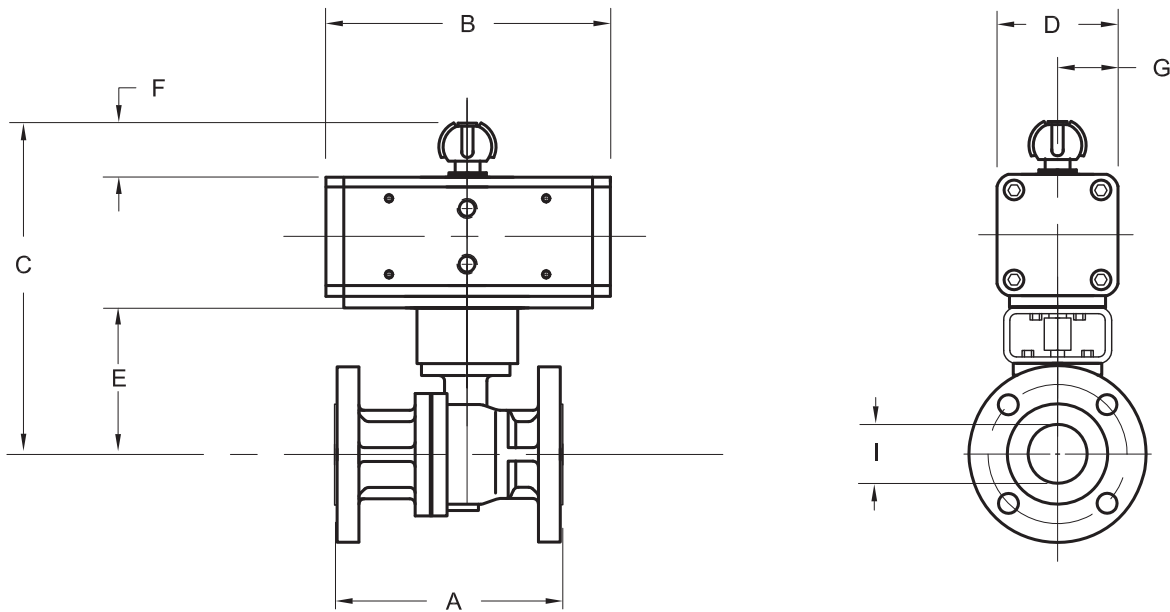
- O Series double acting pneumatic actuator
- Corrosion resistant coating
- NAMUR solenoid mounting pad, ISO 5211 mounting standard
- Visual position indicator
- High duty cycle, permanent lubrication
- Temperature range: -4°F to 175°F

# 300F\_S ODA .5 - 2

Full port ball valve with double acting pneumatic actuator

300# Flanged 2-pc body 50/50 Seats

Actuators are sized for 150 psi pressure differential



## DIMENSIONS, WEIGHTS & SPECIFICATIONS

Size	A	B	C	D	E	F	G	I	Actuator	Wt.(lbs.)	Model No.
<b>80 psig Minimum Actuator Air Supply = 8D</b>											
1/2"	5.50	5.12	7.69	2.17	4.54	.79	1.08	.59	PD030	12.2	C300F * S O8D
3/4"	6.00	5.12	7.85	2.17	4.70	.79	1.08	.79	PD030	14.2	D300F * S O8D
1"	6.50	5.67	8.43	2.36	5.06	.79	1.18	.98	PD045	17.8	E300F * S O8D
1-1/2"	7.50	5.98	9.49	2.83	5.65	.79	1.41	1.50	PD090	28.1	G300F * S O8D
2"	8.50	7.24	10.46	3.15	5.90	1.18	1.57	1.97	PD120	36.2	H300F * S O8D
<b>60 psig Minimum Actuator Air Supply = 6D</b>											
1/2"	5.50	5.12	7.69	2.17	4.54	.79	1.08	.59	PD030	12.2	C300F * S O6D
3/4"	6.00	5.67	8.07	2.36	4.70	.79	1.08	.79	PD045	14.8	D300F * S O6D
1"	6.50	5.67	8.43	2.36	5.06	.79	1.08	.98	PD045	17.8	E300F * S O6D
1-1/2"	7.50	7.24	10.21	3.15	5.65	1.18	1.57	1.50	PD120	30.2	G300F * S O6D
2"	8.50	8.35	10.86	3.54	5.90	1.18	1.77	1.97	PD180	37.5	H300F * S O6D

Note: Dimensions "C" & "E" include a 3" high mounting bracket

\*C = Carbon Stl Body, 316SS Trim

\*S = 316SS Body & Trim

### 300 VALVE SPECIFICATIONS

- 300F Class 300
- Standard Steam Working Pressure: 150SWP, optional 300PSIG
- Protected Seat Design
- Fire Safe Designed to API607-5
- Spiral Wound Body Gasket w/Secondary metal to metal seat
- Carbon Steel or Stainless Steel Body
- Seats: 50/50
- Max Temp: 50/50 seats: 525°F

### PNEUMATIC ACTUATOR FEATURES

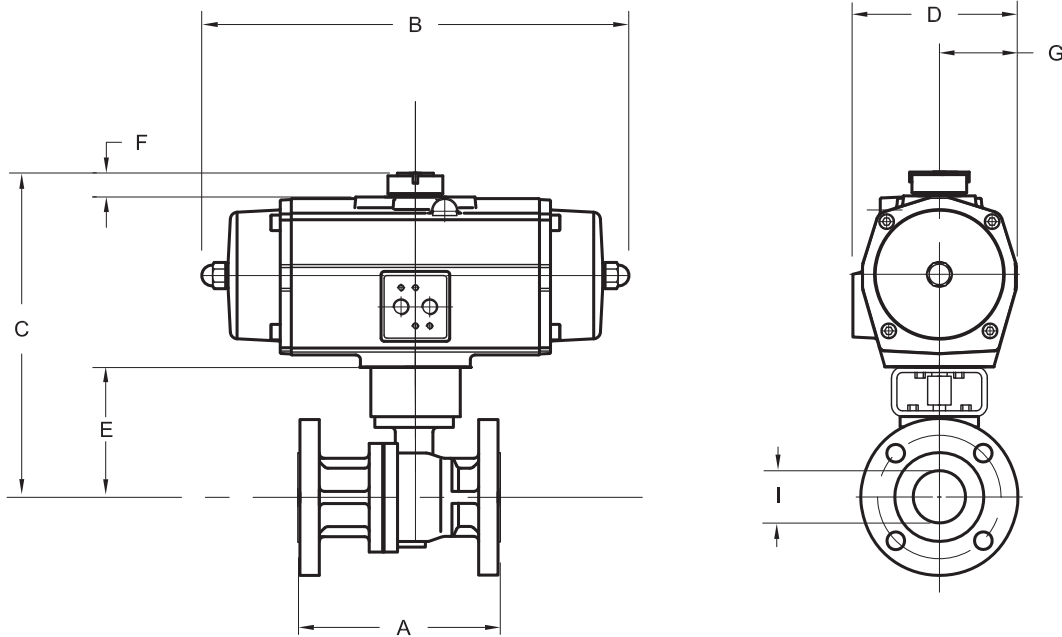
- O Series double acting pneumatic actuator
- Corrosion resistant coating
- NAMUR solenoid mounting pad, ISO 5211 mounting standard
- Visual position indicator
- High duty cycle, permanent lubrication
- Temperature range: -4°F to 175°F

# 300F\_F ESR .5 - 2

Full port ball valve with spring return pneumatic actuator

300# Flanged 2-pc body TFM Seats

Actuators are sized for 150 psi pressure differential



## DIMENSIONS, WEIGHTS & SPECIFICATIONS

Size	A	B	C	D	E	F	G	I	Actuator	Wt.(lbs.)	Model No.
<b>80 psig Minimum Actuator Air Supply = 8S</b>											
1/2"	5.50	8.03	8.99	3.78	4.54	.79	1.70	.59	ES40	15.3	C300F * F E8S ①
3/4"	6.00	8.03	9.15	3.78	4.70	.79	1.70	.79	ES40	16.8	D300F * F E8S ①
1"	6.50	8.03	9.51	3.78	5.06	.79	1.70	.98	ES40	20.3	E300F * F E8S ①
1-1/2"	7.50	10.51	11.09	4.60	5.65	.79	2.12	1.50	ES100	34.1	G300F * F E8S ①
2"	8.50	14.17	12.32	5.39	5.90	.79	2.52	1.97	ES200	50.1	H300F * F E8S ①
<b>60 psig Minimum Actuator Air Supply = 6S</b>											
1/2"	5.50	9.80	9.46	4.19	4.54	.79	1.93	.59	ES65	17.9	C300F * F E6S ①
3/4"	6.00	9.80	9.62	4.19	4.70	.79	1.93	.79	ES65	19.9	D300F * F E6S ①
1"	6.50	9.80	9.98	4.19	5.06	.79	1.93	.98	ES65	22.9	E300F * F E6S ①
1-1/2"	7.50	14.17	12.07	5.39	5.65	.79	2.52	1.50	ES200	44.1	G300F * F E6S ①
2"	8.50	14.17	12.32	5.39	5.90	.79	2.52	1.97	ES200	50.1	H300F * F E6S ①

Note: Dimensions "C" & "E" include a 3" high mounting bracket

\*C = Carbon Stl Body, 316SS Trim

\*S = 316SS Body & Trim

① C=Fail Close, O=Fail Open

## 300 VALVE SPECIFICATIONS

- 300F Class 300
- Standard Steam Working Pressure: 150SWP, optional 300PSIG
- Protected Seat Design
- Fire Safe Designed to API607-5
- Spiral Wound Body Gasket w/Secondary metal to metal seat
- Carbon Steel or Stainless Steel Body
- Seats: TFM
- Max Temp: TFM seats: 475°F

## PNEUMATIC ACTUATOR FEATURES

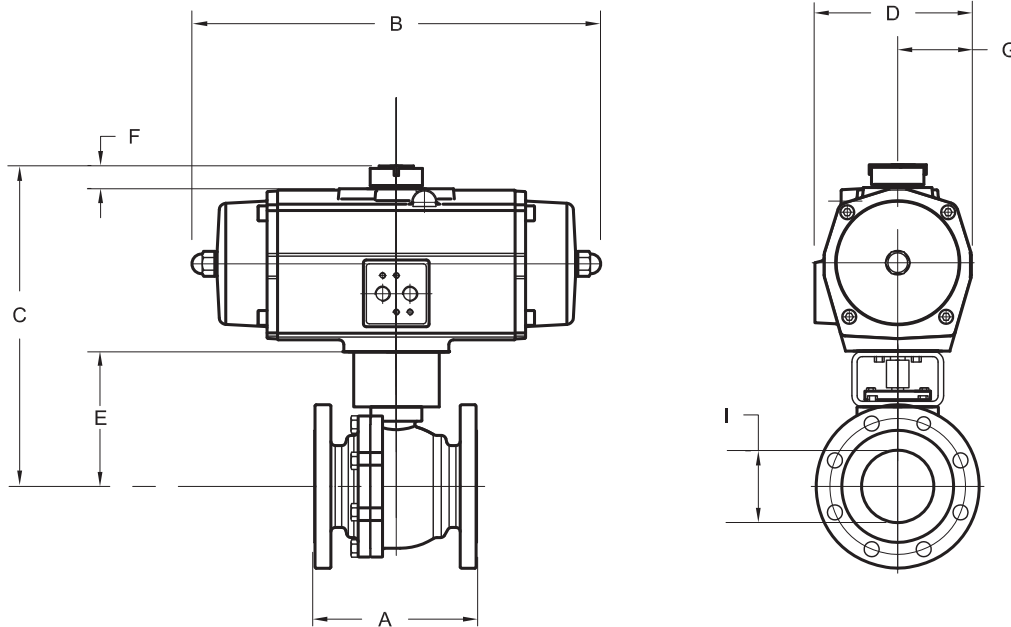
- E Series spring return rack and pinion pneumatic actuator
- Corrosion resistant coating
- NAMUR solenoid mounting pad, ISO 5211 mounting standard
- Visual position indicator
- High duty cycle, permanent lubrication
- Temperature range: -4°F to 175°F

# 300F\_F ESR 3 - 8

Full port ball valve with spring return pneumatic actuator

300# Flanged 2-pc body TFM Seats

Actuators are sized for 150 psi pressure differential



## DIMENSIONS, WEIGHTS & SPECIFICATIONS

Size	A	B	C	D	E	F	G	I	Actuator	Wt.(lbs.)	Model No.
<b>80 psig Minimum Actuator Air Supply = 8S</b>											
3"	11.12	15.24	14.59	7.12	6.67	.79	3.41	3.00	ES350	102.3	J300F * F E8S ①
4"	12.00	18.78	18.24	8.52	8.40	1.18	4.08	4.00	ES600	163.8	K300F * F E8S ①
6"	15.88	25.08	24.07	10.81	11.20	1.18	5.21	5.98	ES1600	276.1	M300F * F E8S ①
8"	19.75	32.83	27.74	15.35	11.60	1.18	7.48	7.87	PS4000	672.0	N300F * F E8S ①
<b>60 psig Minimum Actuator Air Supply = 6S</b>											
3"	11.12	18.78	16.51	8.52	6.67	1.18	4.08	3.00	ES600	125.8	J300F * F E6S ①
4"	12.00	18.78	18.24	8.52	8.40	1.18	4.08	4.00	ES600	163.8	K300F * F E6S ①
6"	15.88	22.44	26.40	14.17	11.20	1.18	6.89	5.98	PS2500	425.0	M300F * F E6S ①
8"	19.75	32.83	27.74	15.35	11.60	1.18	7.48	7.87	PS4000	672.0	N300F * F E6S ①

Note: Dimensions "C" & "E" include a 3" high mounting bracket on 3" valve and a 4" high mounting bracket on 4" - 8" valves

\*C = Carbon Stl Body, 316SS Trim  
\*S = 316SS Body & Trim  
① C=Fail Close, O=Fail Open

## 300 VALVE SPECIFICATIONS

- 300F Class 300
- Standard Steam Working Pressure: 150SWP, optional 300PSIG
- Protected Seat Design
- Fire Safe Designed to API607-5
- Spiral Wound Body Gasket w/Secondary metal to metal seat
- Carbon Steel or Stainless Steel Body
- Seats: TFM
- Max Temp: TFM seats: 475°F

## PNEUMATIC ACTUATOR FEATURES

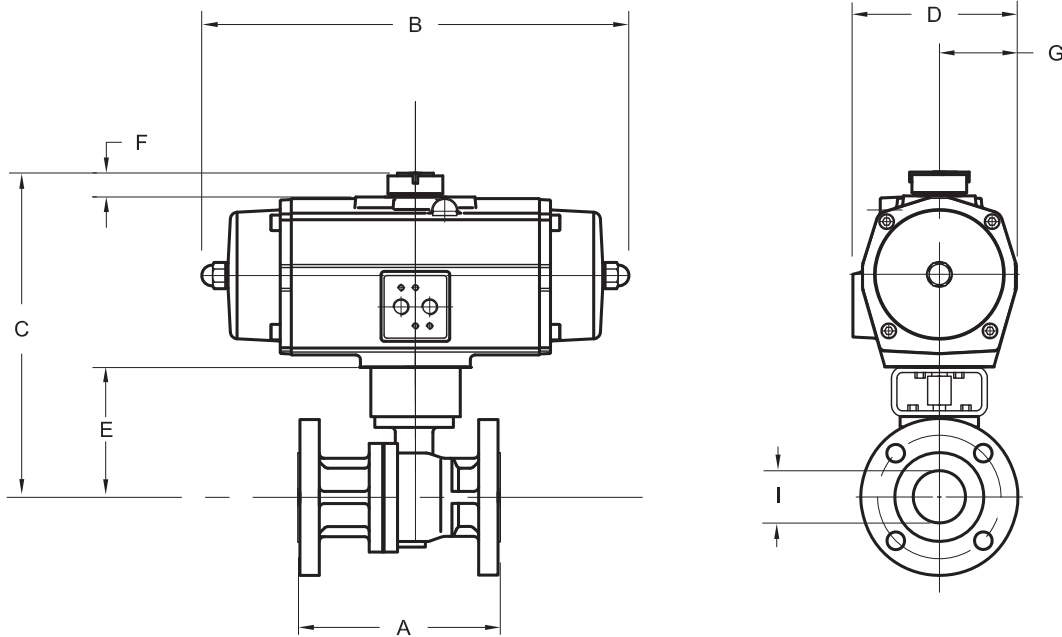
- E Series spring return rack and pinion pneumatic actuator
- Corrosion resistant coating
- NAMUR solenoid mounting pad, ISO 5211 mounting standard
- Visual position indicator
- High duty cycle, permanent lubrication
- Temperature range: -4°F to 175°F

# 300F\_S ESR .5 - 2

Full port ball valve with spring return pneumatic actuator

300# Flanged 2-pc body 50/50 Seats

Actuators are sized for 150 psi pressure differential



## DIMENSIONS, WEIGHTS & SPECIFICATIONS

Size	A	B	C	D	E	F	G	I	Actuator	Wt.(lbs.)	Model No.
<b>80 psig Minimum Actuator Air Supply = 8S</b>											
1/2"	5.50	8.03	8.99	3.78	4.54	.79	1.70	.59	ES40	15.3	C300F * S E8S ①
3/4"	6.00	9.80	9.62	4.19	4.70	.79	1.93	.79	ES65	19.9	D300F * S E8S ①
1"	6.50	9.80	9.98	4.19	5.06	.79	1.93	.98	ES65	22.9	E300F * S E8S ①
1-1/2"	7.50	14.17	12.07	5.39	5.65	.79	2.52	1.50	ES200	44.1	G300F * S E8S ①
2"	8.50	14.17	12.32	5.39	5.90	.79	2.52	1.97	ES200	50.1	H300F * S E8S ①
<b>60 psig Minimum Actuator Air Supply = 6S</b>											
1/2"	5.50	6.77	9.46	3.26	4.54	.79	1.93	.59	ES65	17.9	C300F * S E6S ①
3/4"	6.00	8.03	9.62	3.78	4.70	.79	1.93	.79	ES65	19.9	D300F * S E6S ①
1"	6.50	9.80	9.98	4.19	5.06	.79	1.93	.98	ES65	22.9	E300F * S E6S ①
1-1/2"	7.50	10.51	12.07	4.60	5.65	.79	2.52	1.50	ES200	44.1	G300F * S E6S ①
2"	8.50	14.17	13.82	5.39	5.90	.79	3.41	1.97	ES350	67.3	H300F * S E6S ①

Note: Dimensions "C" & "E" include a 3" high mounting bracket

\*C = Carbon Stl Body, 316SS Trim

\*S = 316SS Body & Trim

① C=Fail Close, O=Fail Open

### 300 VALVE SPECIFICATIONS

- 300F Class 300
- Standard Steam Working Pressure: 150SWP, optional 300PSIG
- Protected Seat Design
- Fire Safe Designed to API607-5
- Spiral Wound Body Gasket w/Secondary metal to metal seat
- Carbon Steel or Stainless Steel Body
- Seats: 50/50
- Max Temp: 50/50 seats: 525°F

### PNEUMATIC ACTUATOR FEATURES

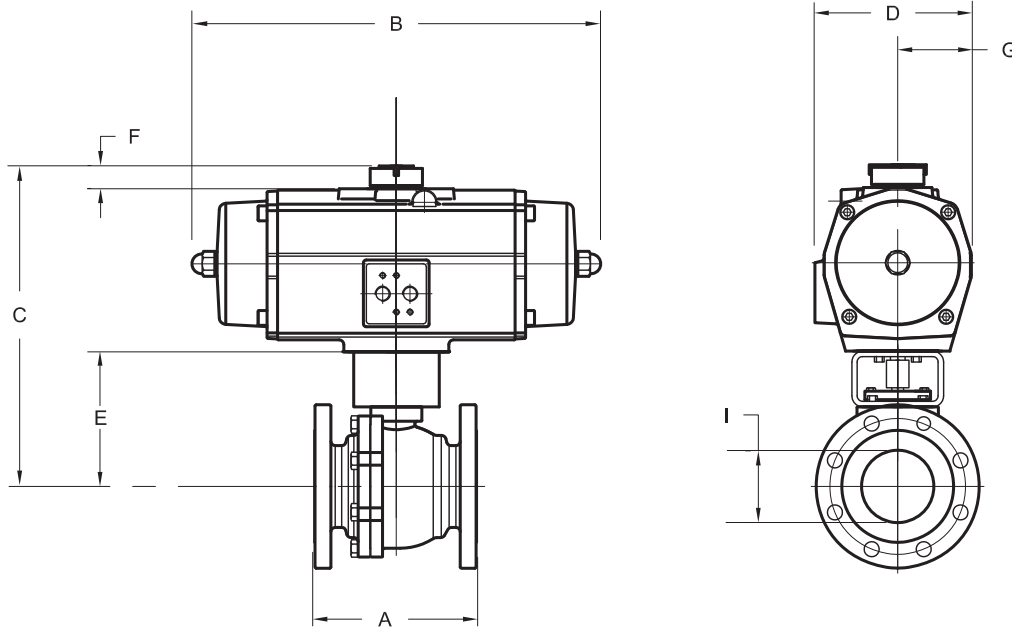
- E Series spring return rack and pinion pneumatic actuator
- Corrosion resistant coating
- NAMUR solenoid mounting pad, ISO 5211 mounting standard
- Visual position indicator
- High duty cycle, permanent lubrication
- Temperature range: -4°F to 175°F

# 300F\_S ESR 3 - 8

Full port ball valve with spring return pneumatic actuator

300# Flanged 2-pc body 50/50 Seats

Actuators are sized for 150 psi pressure differential



## DIMENSIONS, WEIGHTS & SPECIFICATIONS

Size	A	B	C	D	E	F	G	I	Actuator	Wt.(lbs.)	Model No.
<b>80 psig Minimum Actuator Air Supply = 8S</b>											
3"	11.12	15.24	14.59	7.12	6.67	.79	3.41	3.00	ES350	102.3	J300F * S E8S ①
4"	12.00	20.35	19.78	9.51	8.40	1.18	4.54	4.00	ES950	188.1	K300F * S E8S ①
6"	15.88	22.44	26.40	14.17	11.20	1.18	6.89	5.98	PS2500	425.0	M300F * S E8S ①
8"	19.75	32.83	27.74	15.35	11.60	1.18	7.48	7.87	PS4000	672.0	N300F * S E8S ①
<b>60 psig Minimum Actuator Air Supply = 6S</b>											
3"	11.12	18.78	16.51	8.52	6.67	1.18	4.08	3.00	ES600	125.8	J300F * S E6S ①
4"	12.00	20.35	19.78	9.51	8.40	1.18	4.54	4.00	ES950	188.1	K300F * S E6S ①
6"	15.88	22.44	26.40	14.17	11.20	1.18	6.89	5.98	PS2500	425.0	M300F * S E6S ①
8"									N/A		

Note: Dimensions "C" & "E" include a 3" high mounting bracket on 3" valve and a 4" high mounting bracket on 4" - 8" valves

\*C = Carbon Stl Body, 316SS Trim  
\*S = 316SS Body & Trim  
① C=Fail Close, O=Fail Open

## 300 VALVE SPECIFICATIONS

- 300F Class 300
- Standard Steam Working Pressure: 150SWP, optional 300PSIG
- Protected Seat Design
- Fire Safe Designed to API607-5
- Spiral Wound Body Gasket w/Secondary metal to metal seat
- Carbon Steel or Stainless Steel Body
- Seats: 50/50
- Max Temp: 50/50 seats: 525°F

## PNEUMATIC ACTUATOR FEATURES

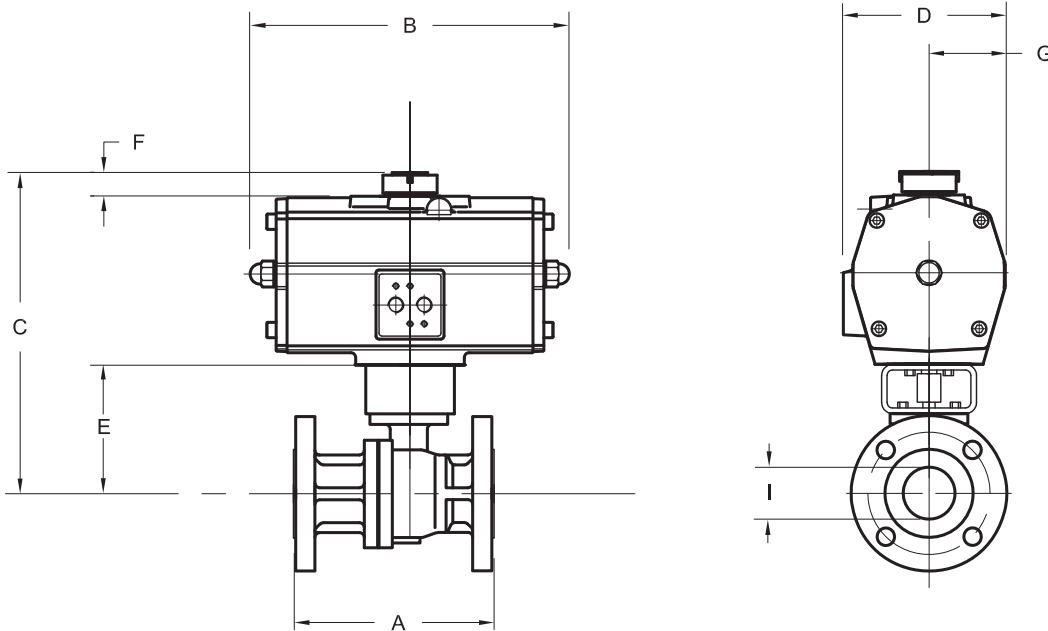
- E Series spring return rack and pinion pneumatic actuator
- Corrosion resistant coating
- NAMUR solenoid mounting pad, ISO 5211 mounting standard
- Visual position indicator
- High duty cycle, permanent lubrication
- Temperature range: -4°F to 175°F

# 300F\_F EDA .5 - 2

Full port ball valve with double acting pneumatic actuator

300# Flanged 2-pc body TFM Seats

Actuators are sized for 150 psi pressure differential



## DIMENSIONS, WEIGHTS & SPECIFICATIONS

Size	A	B	C	D	E	F	G	I	Actuator	Wt.(lbs.)	Model No.
<b>80 psig Minimum Actuator Air Supply = 8D</b>											
1/2"	5.50	6.26	8.48	3.26	4.54	.79	1.46	.59	ED25	12.9	C300F * F E8D
3/4"	6.00	6.26	8.64	3.26	4.70	.79	1.46	.79	ED25	14.9	D300F * F E8D
1"	6.50	6.26	9.00	3.26	5.06	.79	1.46	.98	ED25	17.9	E300F * F E8D
1-1/2"	7.50	7.09	10.10	3.78	5.65	.79	1.70	1.50	ED40	28.0	G300F * F E8D
2"	8.50	7.83	10.82	4.19	5.90	.79	1.93	1.97	ED65	35.3	H300F * F E8D
<b>60 psig Minimum Actuator Air Supply = 6D</b>											
1/2"	5.50	6.26	8.48	3.26	4.54	.79	1.46	.59	ED25	12.9	C300F * F E6D
3/4"	6.00	6.26	8.64	3.26	4.70	.79	1.46	.79	ED25	14.9	D300F * F E6D
1"	6.50	6.26	9.00	3.26	5.06	.79	1.46	.98	ED25	17.9	E300F * F E6D
1-1/2"	7.50	7.83	10.57	4.19	5.65	.79	1.93	1.50	ED65	29.3	G300F * F E6D
2"	8.50	7.83	10.82	4.19	5.90	.79	1.93	1.97	ED65	35.3	H300F * F E6D

Note: Dimensions "C" & "E" include a 3" high mounting bracket

\*C = Carbon Stl Body, 316SS Trim

\*S = 316SS Body & Trim

### 300 VALVE SPECIFICATIONS

- 300F Class 300
- Standard Steam Working Pressure: 150SWP, optional 300PSIG
- Protected Seat Design
- Fire Safe Designed to API607-5
- Spiral Wound Body Gasket w/Secondary metal to metal seat
- Carbon Steel or Stainless Steel Body
- Seats: TFM
- Max Temp: TFM seats: 475°F

### PNEUMATIC ACTUATOR FEATURES

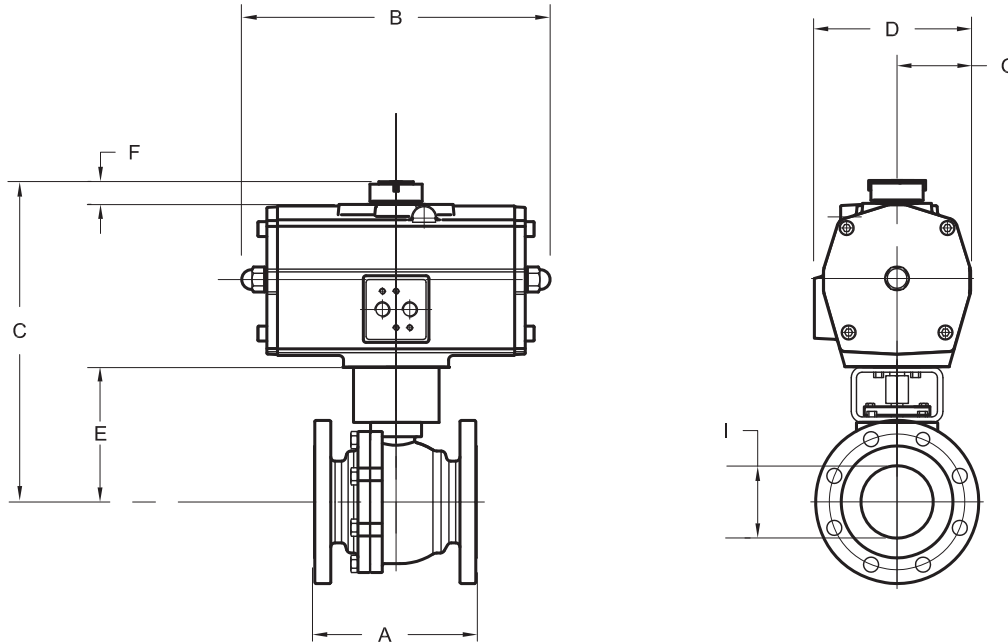
- E Series double acting rack and pinion pneumatic actuator
- Corrosion resistant coating
- NAMUR solenoid mounting pad, ISO 5211 mounting standard
- Visual position indicator
- High duty cycle, permanent lubrication
- Temperature range: -4°F to 175°F

# 300F\_F EDA 3 - 8

Full port ball valve with double acting pneumatic actuator

300# Flanged 2-pc body TFM Seats

Actuators are sized for 150 psi pressure differential



## DIMENSIONS, WEIGHTS & SPECIFICATIONS

Size	A	B	C	D	E	F	G	I	Actuator	Wt.(lbs.)	Model No.
<b>80 psig Minimum Actuator Air Supply = 8D</b>											
3"	11.12	11.14	13.09	5.39	6.67	.79	2.52	3.00	ED100	77.8	J300F * F E8D
4"	12.00	11.14	14.82	5.39	8.40	.79	2.52	4.00	ED200	115.8	K300F * F E8D
6"	15.88	15.24	21.04	8.52	11.20	1.18	4.08	5.98	ED600	273.8	M300F * F E8D
8"	19.75	20.31	24.47	10.81	11.60	1.18	5.21	7.87	ED1600	475.1	N300F * F E8D
<b>60 psig Minimum Actuator Air Supply = 6D</b>											
3"	11.12	11.14	13.09	5.39	6.67	.79	2.52	3.00	ED200	77.8	J300F * F E6D
4"	12.00	12.01	16.32	7.12	8.40	.79	3.41	4.00	ED350	125.9	K300F * F E6D
6"	15.88	16.69	22.58	9.51	11.20	1.18	4.54	5.98	ED950	289.2	M300F * F E6D
8"	19.75	20.31	24.47	10.81	11.60	1.18	5.21	7.87	ED1600	475.1	M300F * F E6D

Note: Dimensions "C" & "E" include a 3" high mounting bracket on 3" valve and a 4" high mounting bracket on 4" - 8" valves

\*C = Carbon Stl Body, 316SS Trim  
\*S = 316SS Body & Trim

## 300 VALVE SPECIFICATIONS

- 300F Class 300
- Standard Steam Working Pressure: 150SWP, optional 300PSIG
- Protected Seat Design
- Fire Safe Designed to API607-5
- Spiral Wound Body Gasket w/Secondary metal to metal seat
- Carbon Steel or Stainless Steel Body
- Seats: TFM
- Max Temp: TFM seats: 475°F

## PNEUMATIC ACTUATOR FEATURES

- E Series double acting rack and pinion pneumatic actuator
- Corrosion resistant coating
- NAMUR solenoid mounting pad, ISO 5211 mounting standard
- Visual position indicator
- High duty cycle, permanent lubrication
- Temperature range: -4°F to 175°F

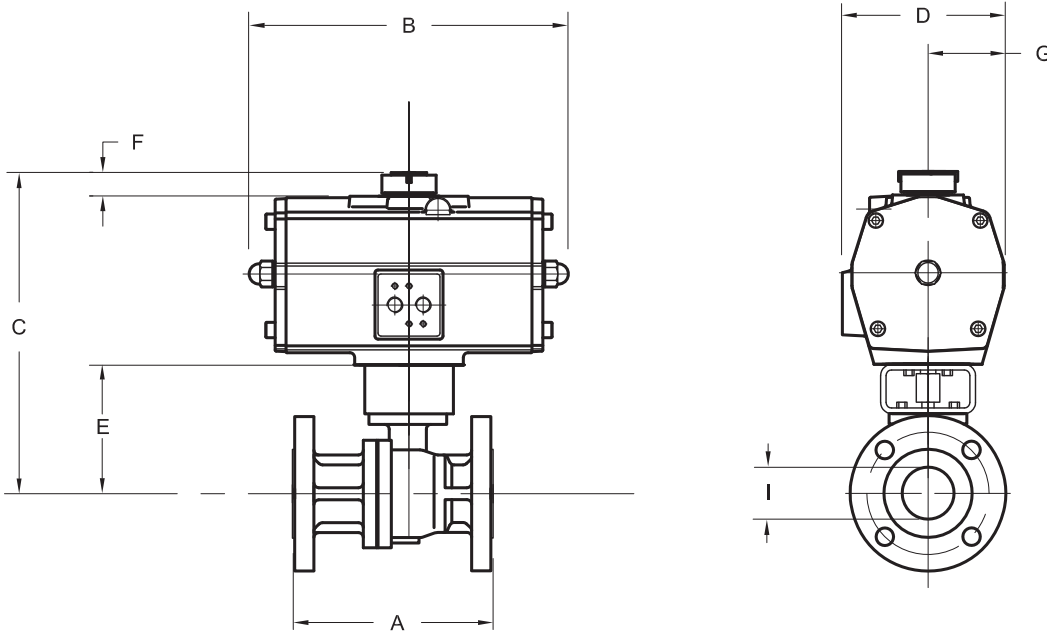


# 300F\_S EDA .5 - 2

Full port ball valve with double acting pneumatic actuator

300# Flanged 2-pc body 50/50 Seats

Actuators are sized for 150 psi pressure differential



## DIMENSIONS, WEIGHTS & SPECIFICATIONS

Size	A	B	C	D	E	F	G	I	Actuator	Wt.(lbs.)	Model No.
<b>80 psig Minimum Actuator Air Supply = 8D</b>											
1/2"	5.50	6.26	8.48	3.26	4.54	.79	1.46	.59	ED25	12.9	C300F * S E8D
3/4"	6.00	6.26	8.64	3.26	4.70	.79	1.46	.79	ED25	14.9	D300F * S E8D
1"	6.50	6.26	9.00	3.26	5.06	.79	1.46	.98	ED25	17.9	E300F * S E8D
1-1/2"	7.50	7.83	10.57	4.19	5.65	.79	1.93	1.50	ED65	29.3	G300F * S E8D
2"	8.50	7.83	10.82	4.19	5.90	.79	1.93	1.97	ED65	35.3	H300F * S E8D
<b>60 psig Minimum Actuator Air Supply = 6D</b>											
1/2"	5.50	6.26	8.48	3.26	4.54	.79	1.46	.59	ED25	12.9	C300F * S E6D
3/4"	6.00	6.26	8.64	3.26	4.70	.79	1.70	.79	ED25	14.9	D300F * S E6D
1"	6.50	6.26	9.00	3.26	5.06	.79	1.93	.98	ED25	17.9	E300F * S E6D
1-1/2"	7.50	7.83	10.57	4.19	5.65	.79	1.93	1.50	ED65	29.3	G300F * S E6D
2"	8.50	8.70	11.34	4.60	5.90	.79	2.12	1.97	ED100	36.8	H300F * S E6D

Note: Dimensions "C" & "E" include a 3" high mounting bracket

\*C = Carbon Stl Body, 316SS Trim  
\*S = 316SS Body & Trim

### 300 VALVE SPECIFICATIONS

- 300F Class 300
- Standard Steam Working Pressure: 150SWP, optional 300PSIG
- Protected Seat Design
- Fire Safe Designed to API607-5
- Spiral Wound Body Gasket w/Secondary metal to metal seat
- Carbon Steel or Stainless Steel Body
- Seats: 50/50
- Max Temp: 50/50 seats: 525°F

### PNEUMATIC ACTUATOR FEATURES

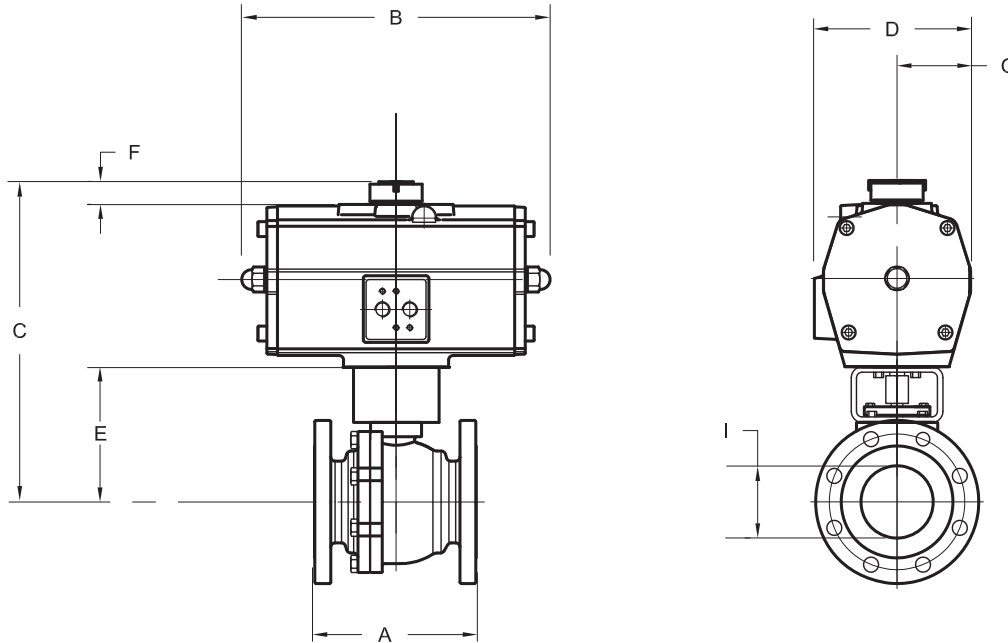
- E Series double acting rack and pinion pneumatic actuator
- Corrosion resistant coating
- NAMUR solenoid mounting pad, ISO 5211 mounting standard
- Visual position indicator
- High duty cycle, permanent lubrication
- Temperature range: -4°F to 175°F

# 300F\_S EDA 3 - 8

Full port ball valve with double acting pneumatic actuator

300# Flanged 2-pc body 50/50 Seats

Actuators are sized for 150 psi pressure differential



## DIMENSIONS, WEIGHTS & SPECIFICATIONS

Size	A	B	C	D	E	F	G	I	Actuator	Wt.(lbs.)	Model No.
<b>80 psig Minimum Actuator Air Supply = 8D</b>											
3"	11.12	11.14	13.09	5.39	6.67	.79	2.52	3.00	ED200	77.8	J300F * S E8D
4"	12.00	12.01	16.32	7.12	8.40	.79	3.41	4.00	ED350	125.9	K300F * S E8D
6"	15.88	16.69	22.58	9.51	11.20	1.18	4.54	5.98	ED950	289.2	M300F * S E8D
8"	19.75	20.31	24.47	10.81	11.60	1.18	5.21	7.87	ED1600	475.1	N300F * S E8D
<b>60 psig Minimum Actuator Air Supply = 6D</b>											
3"	11.12	11.14	13.09	5.39	6.67	.79	2.52	3.00	ED200	77.8	J300F * S E6D
4"	12.00	12.01	16.32	7.12	8.40	.79	3.41	4.00	ED350	125.9	K300F * S E6D
6"	15.88	20.31	24.07	10.81	11.20	1.18	5.21	5.98	ED1600	325.1	M300F * S E6D
8"	19.75	14.88	26.80	14.17	11.60	1.18	6.89	7.87	PD2500	506.0	M300F * S E6D

Note: Dimensions "C" & "E" include a 3" high mounting bracket on 3" valve and a 4" high mounting bracket on 4" - 8" valves

\*C = Carbon Stl Body, 316SS Trim  
\*S = 316SS Body & Trim

## 300 VALVE SPECIFICATIONS

- 300F Class 300
- Standard Steam Working Pressure: 150SWP, optional 300PSIG
- Protected Seat Design
- Fire Safe Designed to API607-5
- Spiral Wound Body Gasket w/Secondary metal to metal seat
- Carbon Steel or Stainless Steel Body
- Seats: 50/50
- Max Temp: 50/50 seats: 525°F

## PNEUMATIC ACTUATOR FEATURES

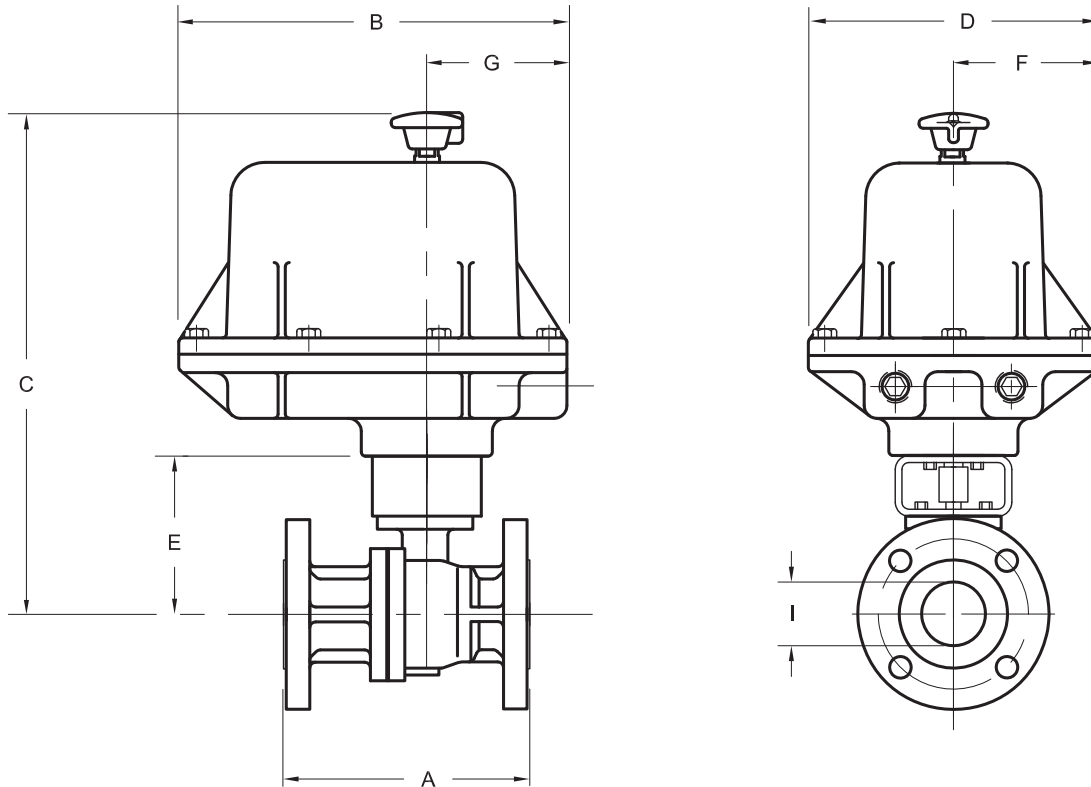
- E & P Series double acting rack and pinion pneumatic actuator
- Corrosion resistant coating
- NAMUR solenoid mounting pad, ISO 5211 mounting standard
- Visual position indicator
- High duty cycle, permanent lubrication
- Temperature range: -4°F to 175°F

# 300F\_F B7A .5 - 2

Full port ball valve with electric actuator, NEMA 7, 120vac

300# Flanged 2-pc body TFM Seats

Actuators are sized for 150 psi pressure differential



## DIMENSIONS, WEIGHTS & SPECIFICATIONS

Size	A	B	C	D	E	F	G	I	Actuator	Wt.(lbs.)	Model No.
1/2"	5.50	8.25	12.04	6.25	4.54	3.12	3.75	.59	EM310-30	27.0	C300F * F B7A
3/4"	6.00	8.25	12.16	6.25	4.66	3.12	3.75	.79	EM310-30	28.0	D300F * F B7A
1"	6.50	8.25	12.55	6.25	5.05	3.12	3.75	.98	EM310-30	30.5	E300F * F B7A
1-1/2"	7.50	8.25	13.10	6.25	5.60	3.12	3.75	1.50	EM310-30	37.5	G300F * F B7A
2"	8.50	8.25	13.40	6.25	5.90	3.12	3.75	1.97	EM310-30	44.0	H300F * F B7A

Note: Dimensions "C" & "E" include a 3" high mounting bracket

\*C = Carbon Stl Body, 316SS Trim

\*S = 316SS Body & Trim

### 300 VALVE SPECIFICATIONS

- 300F Class 300
- Standard Steam Working Pressure: 150SWP, optional 300PSIG
- Protected Seat Design
- Fire Safe Designed to API607-5
- Spiral Wound Body Gasket w/Secondary metal to metal seat
- Carbon Steel or Stainless Steel Body
- Seats: TFM
- Max Temp: TFM seats: 475°F

### ELECTRIC ACTUATOR FEATURES

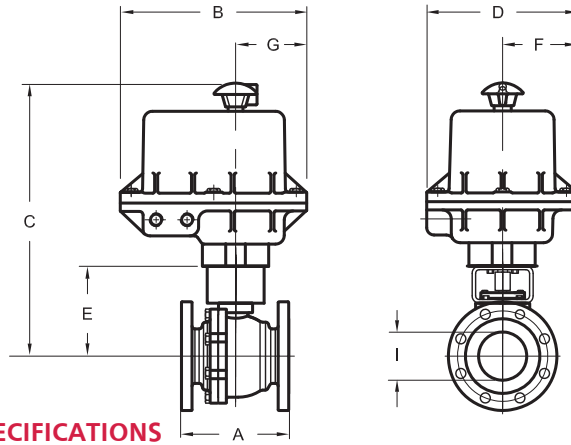
- B7 Series electric actuator
- NEMA 4, 4x, 7, & 9; CSA approved
- Weatherproof
- Class I Groups C and D, Div. 1
- Class II Groups E, F, & G
- (2) 1/2" NPT conduit entries
- Manual override
- Visual position Indicator
- CSA certified
- Temperature range: 0°F to 175°F

# 300F\_F B7A 3 - 8

Full port ball valve with electric actuator, NEMA 7, 120vac

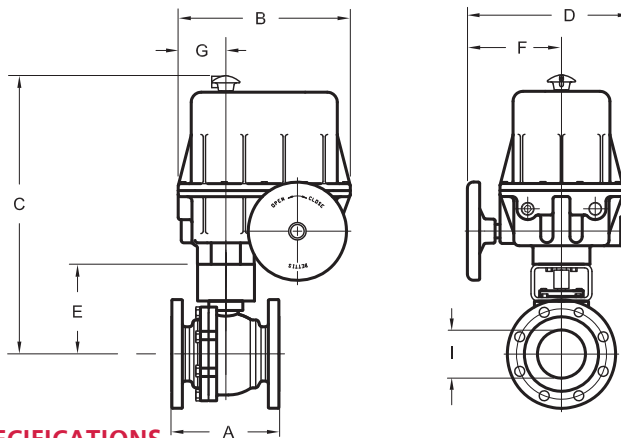
300# Flanged 2-pc body TFM Seats

Actuators are sized for 150 psi pressure differential



### DIMENSIONS, WEIGHTS & SPECIFICATIONS

Size	A	B	C	D	E	F	G	I	Actuator	Wt.(lbs.)	Model No.
3"	11.12	9.75	16.11	7.75	6.67	3.88	3.75	3.00	EM500-30	83.0	J300F * F B7A



### DIMENSIONS, WEIGHTS & SPECIFICATIONS

Size	A	B	C	D	E	F	G	I	Actuator	Wt.(lbs.)	Model No.
4"	12.00	14.00	23.72	13.31	8.40	7.62	3.88	4.00	EM810-30	263.0	K300F * F B7A
6"	15.88	14.00	23.72	13.31	11.20	7.62	3.88	5.98	EM820-30	391.0	M300F * F B7A
8"	19.75	14.00	23.72	13.31	11.60	7.62	3.88	7.87	EM840-48	541.0	N300F * F B7A

Note: Dimensions "C" & "E" include a 3" high mounting bracket on 3" valve and a 4" high mounting bracket on 4" - 8" valves

\*C = Carbon Stl Body, 316SS Trim  
\*S = 316SS Body & Trim

### 300 VALVE SPECIFICATIONS

- 300F Class 300
- Standard Steam Working Pressure: 150SWP, optional 300PSIG
- Protected Seat Design
- Fire Safe Designed to API607-5
- Spiral Wound Body Gasket w/Secondary metal to metal seat
- Carbon Steel or Stainless Steel Body
- Seats: TFM
- Max Temp: TFM seats: 475°F

### ELECTRIC ACTUATOR FEATURES

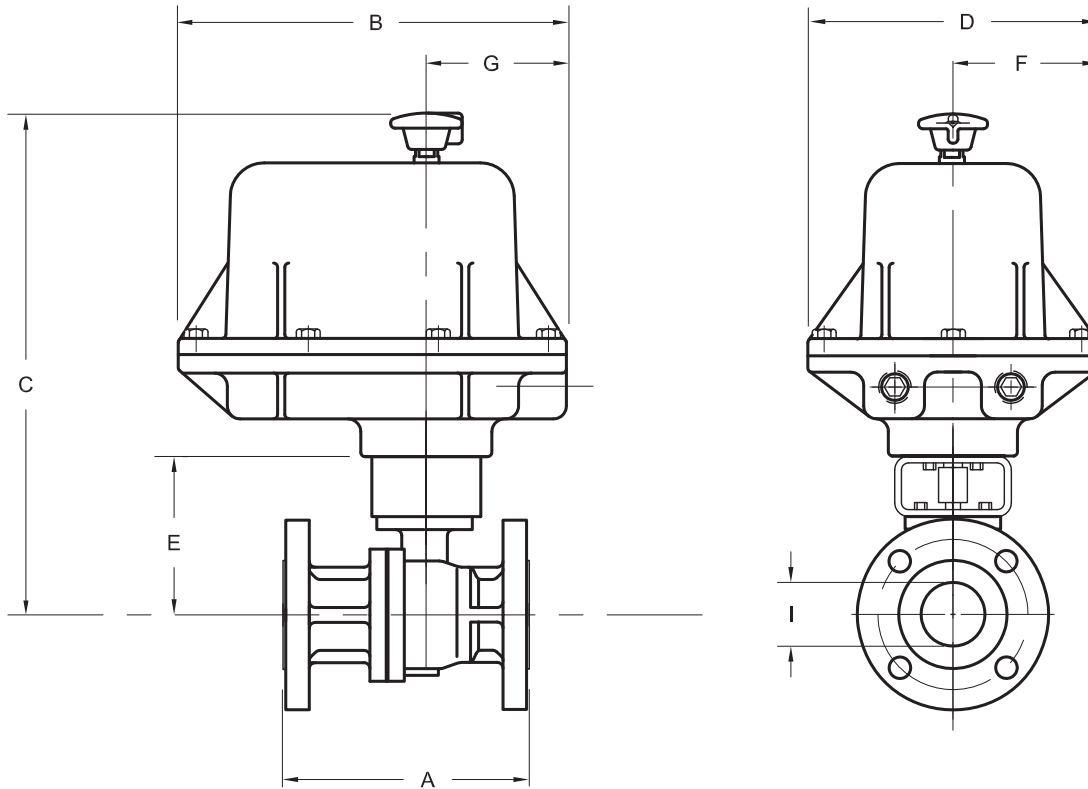
- B7 Series electric actuator
- NEMA 4, 4x, 7, & 9; CSA approved
- Weatherproof
- Class I Groups C and D, Div. 1
- Class II Groups E, F, & G
- (2) 1/2" NPT conduit entries
- Manual override
- Visual position Indicator
- CSA certified
- Temperature range: 0°F to 175°F

## 300F\_S B7A .5 - 1.5

Full port ball valve with electric actuator, NEMA 7, 120vac

300# Flanged 2-pc body 50/50 Seats

Actuators are sized for 150 psi pressure differential



### DIMENSIONS, WEIGHTS & SPECIFICATIONS

Size	A	B	C	D	E	F	G	I	Actuator	Wt.(lbs.)	Model No.
1/2"	5.50	8.25	12.04	6.25	4.54	3.12	3.75	.59	EM310-30	27.0	C300F * S B7A
3/4"	6.00	8.25	12.16	6.25	4.66	3.12	3.75	.79	EM310-30	28.0	D300F * S B7A
1"	6.50	8.25	12.55	6.25	5.05	3.12	3.75	.98	EM310-30	30.5	E300F * S B7A
1-1/2"	7.50	8.25	13.10	6.25	5.60	3.12	3.75	1.50	EM310-30	37.5	G300F * S B7A

Note: Dimensions "C" & "E" include a 3" high mounting bracket

\*C = Carbon Stl Body, 316SS Trim

\*S = 316SS Body & Trim

### 300 VALVE SPECIFICATIONS

- 300F Class 300
- Standard Steam Working Pressure: 150SWP, optional 300PSIG
- Protected Seat Design
- Fire Safe Designed to API607-5
- Spiral Wound Body Gasket w/Secondary metal to metal seat
- Carbon Steel or Stainless Steel Body
- Seats: 50/50
- Max Temp: 50/50 seats: 525°F

### ELECTRIC ACTUATOR FEATURES

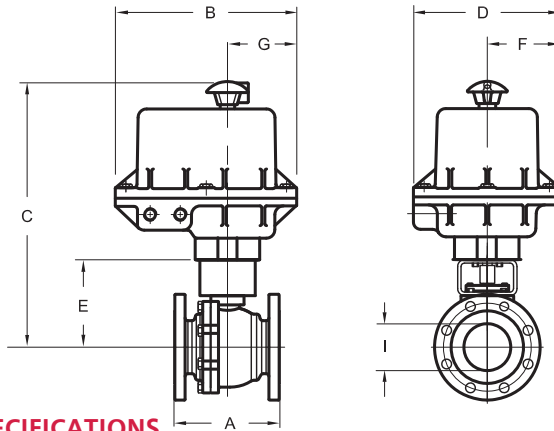
- B7 Series electric actuator
- NEMA 4, 4x, 7, & 9; CSA approved
- Weatherproof
- Class I Groups C and D, Div. 1
- Class II Groups E, F, & G
- (2) 1/2" NPT conduit entries
- Manual override
- Visual position Indicator
- CSA certified
- Temperature range: 0°F to 175°F

# 300F\_S B7A 2 - 8

Full port ball valve with electric actuator, NEMA 7, 120vac

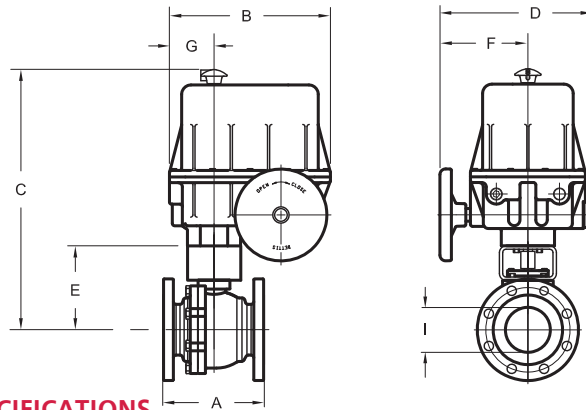
300# Flanged 2-pc body 50/50 Seats

Actuators are sized for 150 psi pressure differential



### DIMENSIONS, WEIGHTS & SPECIFICATIONS

Size	A	B	C	D	E	F	G	I	Actuator	Wt.(lbs.)	Model No.
2"	8.50	8.25	15.34	6.25	5.90	3.12	3.75	1.97	EM520-15	48.0	H300F * S B7A



### DIMENSIONS, WEIGHTS & SPECIFICATIONS

Size	A	B	C	D	E	F	G	I	Actuator	Wt.(lbs.)	Model No.
3"	11.12	14.00	16.11	13.31	6.67	7.62	3.88	3.00	EM810-15	225.0	J300F * S B7A
4"	12.00	14.00	23.72	13.31	8.40	7.62	3.88	4.00	EM810-30	263.0	K300F * S B7A
6"	15.88	14.00	23.72	13.31	11.20	7.62	3.88	5.98	EM830-30	391.0	M300F * S B7A
8"	19.75	14.00	23.72	13.31	11.60	7.62	3.88	7.87	EM840-72	541.0	N300F * S B7A

Note: Dimensions "C" & "E" include a 3" high mounting bracket on 2" & 3" valve and a 4" high mounting bracket on 4" - 8" valves

\*C = Carbon Stl Body, 316SS Trim  
\*S = 316SS Body & Trim

### 300 VALVE SPECIFICATIONS

- 300F Class 300
- Standard Steam Working Pressure: 150SWP, optional 300PSIG
- Protected Seat Design
- Fire Safe Designed to API607-5
- Spiral Wound Body Gasket w/Secondary metal to metal seat
- Carbon Steel or Stainless Steel Body
- Seats: 50/50
- Max Temp: 50/50 seats: 525°F

### ELECTRIC ACTUATOR FEATURES

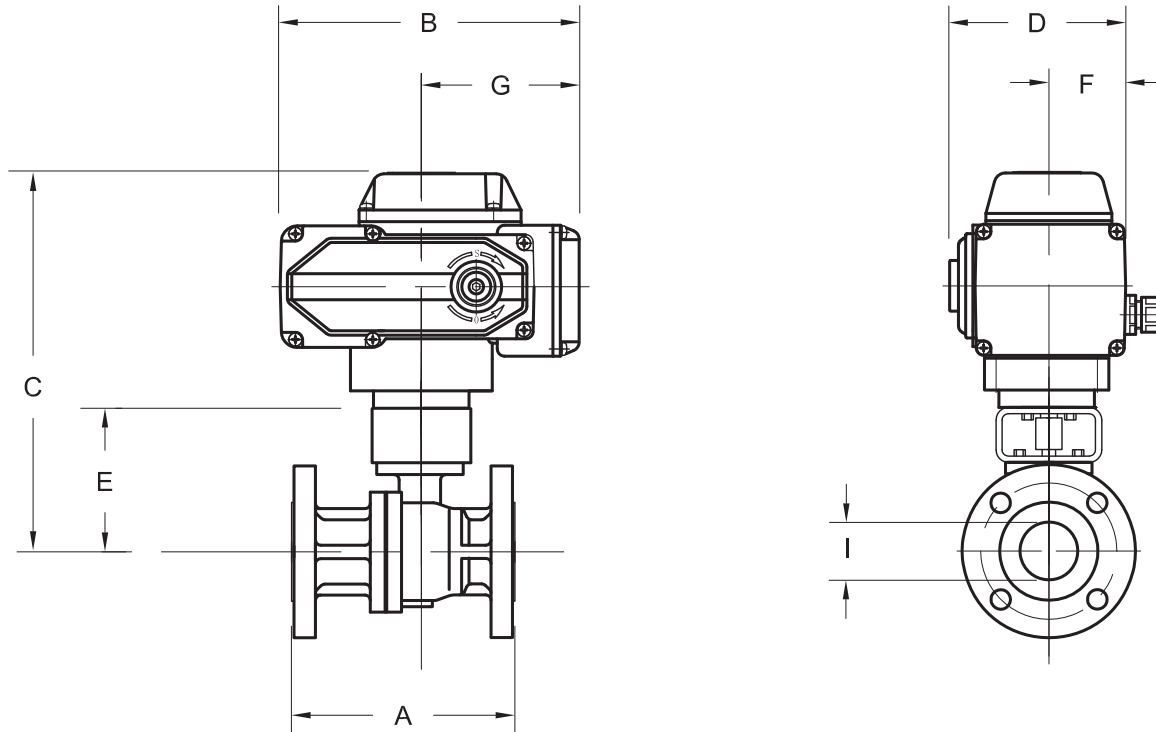
- B7 Series electric actuator
- NEMA 4, 4x, 7, & 9; CSA approved
- Weatherproof
- Class I Groups C and D, Div. 1
- Class II Groups E, F, & G
- (2) 1/2" NPT conduit entries
- Manual override
- Visual position Indicator
- CSA certified
- Temperature range: 0°F to 175°F

# 300F\_F K4A .5 - 2

Full port ball valve with electric actuator

300# Flanged 2-pc body TFM Seats

Actuators are sized for 150 psi pressure differential



## DIMENSIONS, WEIGHTS & SPECIFICATIONS

Size	A	B	C	D	E	F	G	I	Actuator	Wt.(lbs.)	Model No.
1/2"	5.50	6.24	8.62	4.51	4.54	2.00	2.99	.59	UNIC 05A	15.0	C300F * F K4A
3/4"	6.00	6.24	8.74	4.51	4.66	2.00	2.99	.79	UNIC 05A	17.0	D300F * F K4A
1"	6.50	6.24	9.13	4.51	5.05	2.00	2.99	.98	UNIC 05A	20.0	E300F * F K4A
1-1/2"	7.50	6.24	9.73	4.51	5.65	2.00	2.99	1.50	UNIC 05A	29.0	G300F * F K4A
2"	8.50	8.17	12.39	4.82	5.90	2.14	4.33	1.97	UNIC 10A	40.0	H300F * F K4A

Note: Dimensions "C" & "E" include a 3" high mounting bracket

\*C = Carbon Stl Body, 316SS Trim

\*S = 316SS Body & Trim

### 300 VALVE SPECIFICATIONS

- 300F Class 300
- Standard Steam Working Pressure: 150SWP, optional 300PSIG
- Protected Seat Design
- Fire Safe Designed to API607-5
- Spiral Wound Body Gasket w/Secondary metal to metal seat
- Carbon Steel or Stainless Steel Body
- Seats: TFM
- Max Temp: TFM seats: 475°F

### ELECTRIC ACTUATOR FEATURES

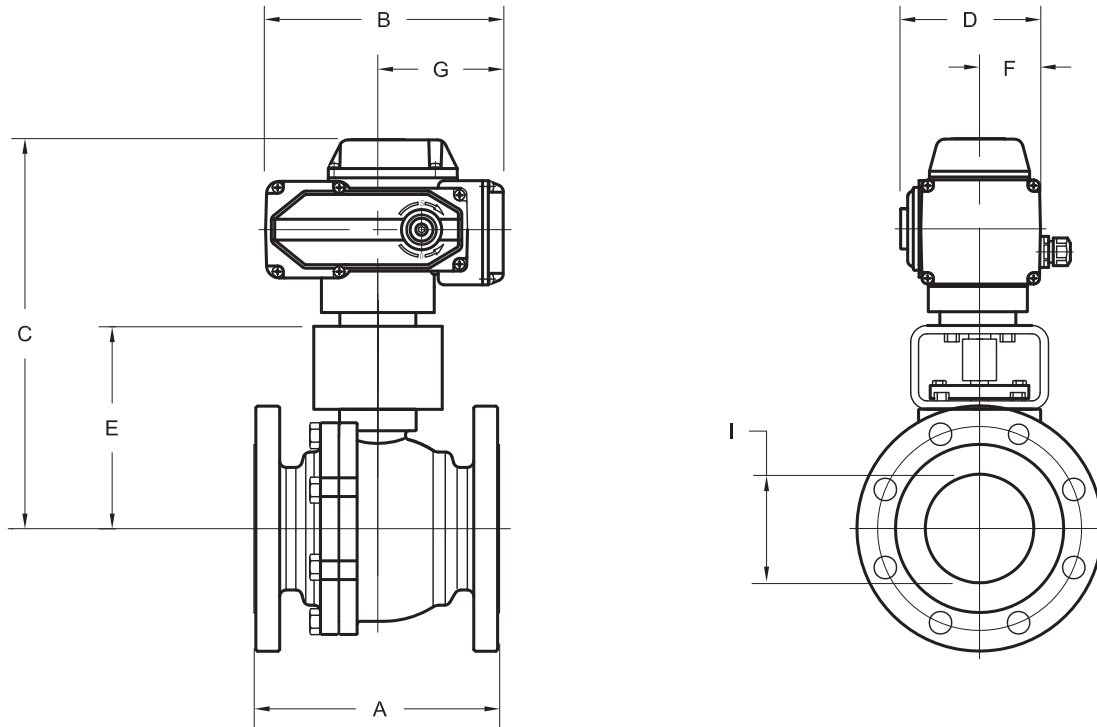
- K Series electric actuator
- Actuator speed: 25 sec.
- Most voltages available
- Quarter turn: 0-90° rotation
- NEMA 4/4X certified by UL labs
- ISO 5211 mounting standard
- Visual position indicator
- Self-locking drive train
- Mounts in any direction
- 1/2" NPT conduit connection
- CSA-NRTL /C and CE certified
- Temperature range: 0°F to 160°F

## 300F\_F K4A 3 - 8

Full port ball valve with electric actuator

300# Flanged 2-pc body TFM Seats

Actuators are sized for 150 psi pressure differential



### DIMENSIONS, WEIGHTS & SPECIFICATIONS

Size	A	B	C	D	E	F	G	I	Actuator	Wt.(lbs.)	Model No.
3"	11.12	10.10	13.95	6.16	6.67	2.46	5.25	3.00	UNIC 20A	83.0	J300F * F K4A
4"	12.00	10.10	15.68	6.16	8.40	2.46	5.25	4.00	UNIC 40A	121.0	K300F * F K4A
6"	15.88	15.00	20.41	9.53	11.20	4.13	7.85	5.98	UNIC 60A	277.2	M300F * F K4A
8"	19.75	15.00	20.81	9.98	11.60	4.13	7.85	7.87	UNIC 200A	433.9	N300F * F K4A

Note: Dimensions "C" & "E" include a 3" high mounting bracket on 3" valve and a 4" high mounting bracket on 4" - 8" valves

\*C = Carbon Stl Body, 316SS Trim  
\*S = 316SS Body & Trim

### 300 VALVE SPECIFICATIONS

- 300F Class 300
- Standard Steam Working Pressure: 150SWP, optional 300PSIG
- Protected Seat Design
- Fire Safe Designed to API607-5
- Spiral Wound Body Gasket w/Secondary metal to metal seat
- Carbon Steel or Stainless Steel Body
- Seats: TFM
- Max Temp: TFM seats: 475°F

### ELECTRIC ACTUATOR FEATURES

- K Series electric actuator
- Actuator speed: 25 sec.
- Most voltages available
- Quarter turn: 0-90° rotation
- NEMA 4/4X certified by UL labs
- ISO 5211 mounting standard
- Visual position indicator
- Self-locking drive train
- Mounts in any direction
- 1/2" NPT conduit connection
- CSA-NRTL /C and CE certified
- Temperature range: 0°F to 160°F

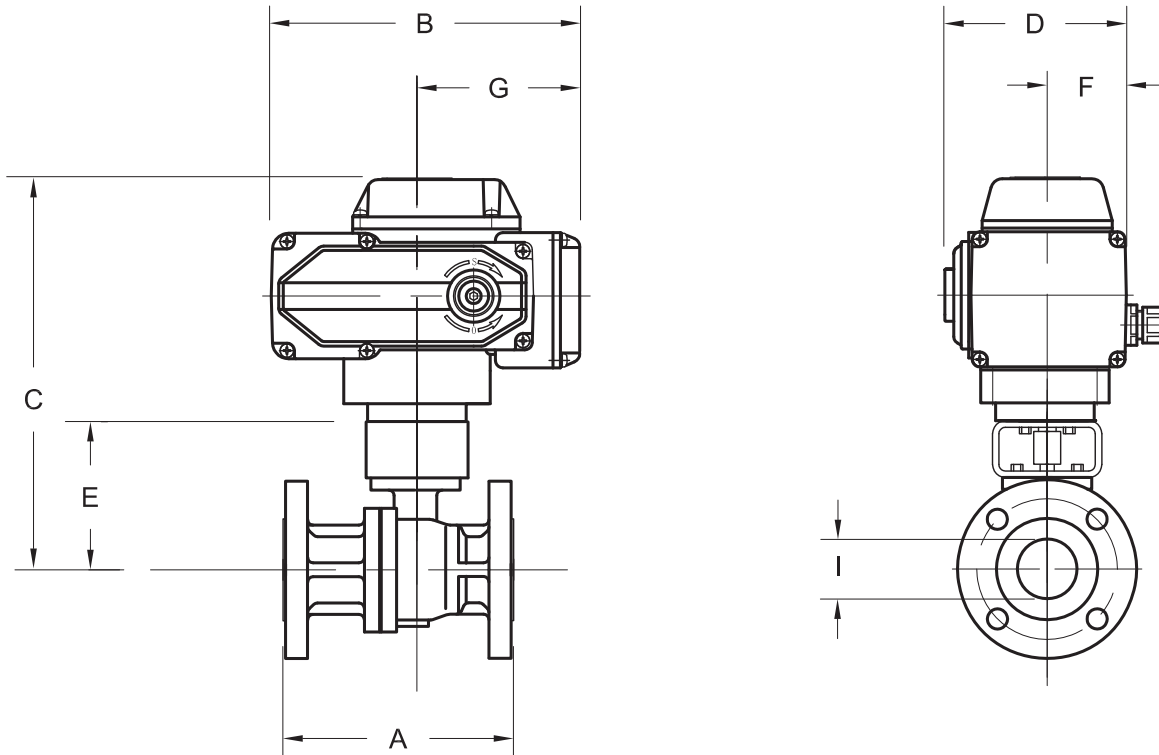


# 300F\_S K4A .5 - 2

Full port ball valve with electric actuator

300# Flanged 2-pc body 50/50 Seats

Actuators are sized for 150 psi pressure differential



## DIMENSIONS, WEIGHTS & SPECIFICATIONS

Size	A	B	C	D	E	F	G	I	Actuator	Wt.(lbs.)	Model No.
1/2"	5.50	6.24	9.25	4.51	4.54	2.00	2.99	.59	UNIC 05A	15.0	C300F * S K4A
3/4"	6.00	6.24	9.37	4.51	4.66	2.00	2.99	.79	UNIC 05A	17.0	D300F * S K4A
1"	6.50	6.24	9.76	4.51	5.05	2.00	2.99	.98	UNIC 05A	20.0	E300F * S K4A
1-1/2"	7.50	8.17	12.09	4.82	5.65	1.62	4.33	1.50	UNIC 10A	34.0	G300F * S K4A
2"	8.50	8.17	13.16	4.82	5.90	1.62	4.33	1.97	UNIC 10A	40.0	H300F * S K4A

Note: Dimensions "C" & "E" include a 3" high mounting bracket

\*C = Carbon Stl Body, 316SS Trim  
\*S = 316SS Body & Trim

### 300 VALVE SPECIFICATIONS

- 300F Class 300
- Standard Steam Working Pressure: 150SWP, optional 300PSIG
- Protected Seat Design
- Fire Safe Designed to API607-5
- Spiral Wound Body Gasket w/Secondary metal to metal seat
- Carbon Steel or Stainless Steel Body
- Seats: 50/50
- Max Temp: 50/50 seats: 525°F

### ELECTRIC ACTUATOR FEATURES

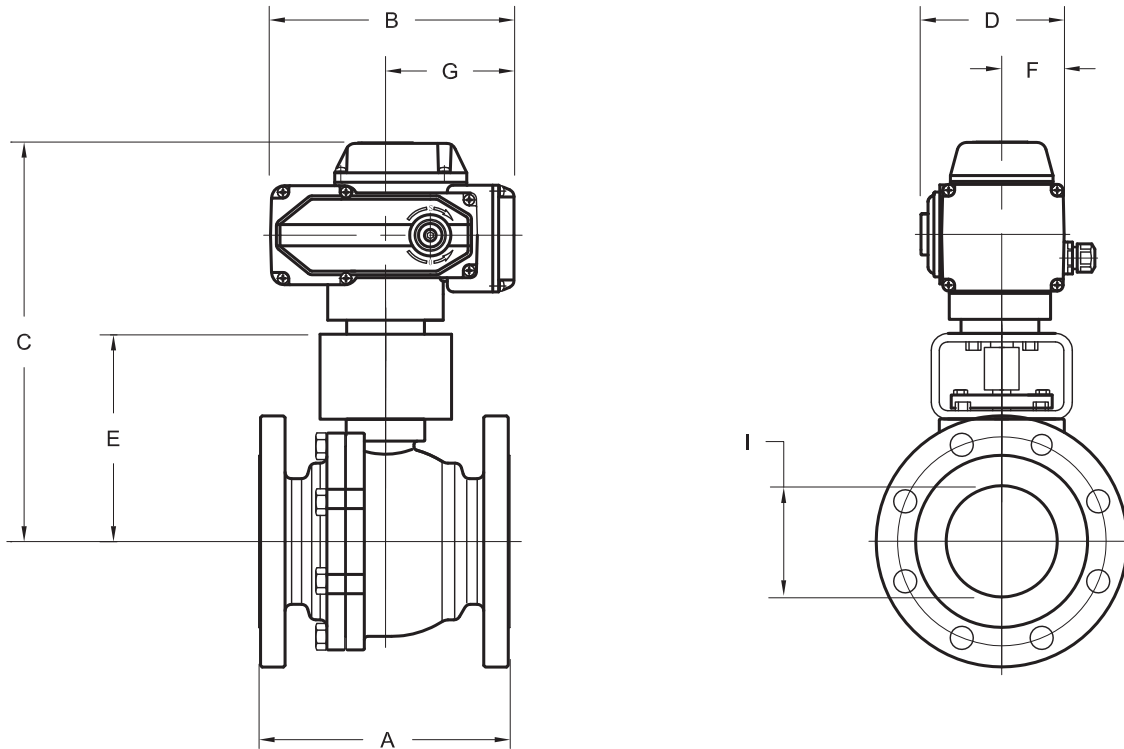
- K Series electric actuator
- Actuator speed: 25 sec.
- Most voltages available
- Quarter turn: 0-90° rotation
- NEMA 4/4X certified by UL labs
- ISO 5211 mounting standard
- Visual position indicator
- Self-locking drive train
- Mounts in any direction
- 1/2" NPT conduit connection
- CSA-NRTL /C and CE certified
- Temperature range: 0°F to 160°F

# 300F\_S K4A 3 - 8

Full port ball valve with electric actuator

300# Flanged 2-pc body 50/50 Seats

Actuators are sized for 150 psi pressure differential



## DIMENSIONS, WEIGHTS & SPECIFICATIONS

Size	A	B	C	D	E	F	G	I	Actuator	Wt.(lbs.)	Model No.
3"	11.12	10.10	13.95	6.16	6.67	2.46	5.25	3.00	UNIC 20A	83.0	J300F * S K4A
4"	12.00	10.10	15.68	6.16	8.40	2.46	5.25	4.00	UNIC 40A	121.0	K300F * S K4A
6"	15.88	15.00	20.41	9.53	11.20	4.13	7.85	5.98	UNIC 100A	278.7	M300F * S K4A
8"	19.75	15.00	20.81	9.98	11.60	4.13	7.85	7.87	UNIC 200A	433.9	N300F * S K4A

Note: Dimensions "C" & "E" include a 3" high mounting bracket on 3" valve and a 4" high mounting bracket on 4" - 8" valves

\*C = Carbon Stl Body, 316SS Trim

\*S = 316SS Body & Trim

### 300 VALVE SPECIFICATIONS

- 300F Class 300
- Standard Steam Working Pressure: 150SWP, optional 300PSIG
- Protected Seat Design
- Fire Safe Designed to API607-5
- Spiral Wound Body Gasket w/Secondary metal to metal seat
- Carbon Steel or Stainless Steel Body
- Seats: 50/50
- Max Temp: 50/50 seats: 525°F

### ELECTRIC ACTUATOR FEATURES

- K Series electric actuator
- Actuator speed: 25 sec.
- Most voltages available
- Quarter turn: 0-90° rotation
- NEMA 4/4X certified by UL labs
- ISO 5211 mounting standard
- Visual position indicator
- Self-locking drive train
- Mounts in any direction
- 1/2" NPT conduit connection
- CSA-NRTL /C and CE certified
- Temperature range: 0°F to 160°F

# E & P Series

## Pneumatic Actuator



The Assured Automation E and P Series pneumatic actuators offer a simple and cost effective solution for your valve automation needs. For use on quarter turn (90°) ball valves, plug valves, dampers, and resilient seated butterfly valves.

### FEATURES

- High duty cycle life, up to 1,000,000 cycles.
- Double acting and spring return models.
- Direct mounting to ball and butterfly valves, multiple ISO drillings on each actuator: NAMUR DVI/DVE 3845, DIN 3337, ISO 5211.
- NAMUR solenoid and limit switch mounting.
- Removable drive insert for diamond or square configuration.
- Visual position indicator (Open/Closed).

### MATERIALS OF CONSTRUCTION

#### Housing:

Anodized aluminum with dual component polyurethane coating.

#### Mounting and Shaft:

Zinc plated steel.

### ACCESSORIES

#### Solenoids:

NAMUR mount (voltages of 12 to 24 VDC, 24 to 220 VAC), NEMA-4, NEMA-7, intrinsically safe.

#### Limit Switches:

Mechanical, proximity, ASI, fieldbus; visual open and close indication.

#### Positioners:

Pneumatic (3 to 15 PSI control); electropneumatic (4 to 20 mA control).

### E SERIES MODEL NUMBERING

Model Number: \_\_\_\_\_ E X X X

Type: \_\_\_\_\_ ↑↑↑

**D** = Double Acting  
**S** = Spring Return  
(Fail Closed)

Size: \_\_\_\_\_

(see Torque tables, pg. 2-3)

**12 to 1600**

Spring Set: \_\_\_\_\_

(see Torque table, pg. 2)

**2 to 6**

### P SERIES MODEL NUMBERING

Model Number: \_\_\_\_\_ P X X X

Type: \_\_\_\_\_ ↑↑↑

**D** = Double Acting  
**S** = Spring Return  
(Fail Closed)

Size: \_\_\_\_\_

(see Torque tables, pg. 2-3)

**2500 to 4000**

Spring Set: \_\_\_\_\_

(see Torque table, pg. 2)

**8 to 14**

### TEMPERATURE RANGE

-4°F to 175°F

### SPECIFICATIONS

#### Supply Pressure:

20 to 120 PSI (double acting),  
40 to 120 PSI (spring return).

#### Output Torque:

Up to 40,000 in./lb. at 80 PSI  
supply pressure.

# E & P Series

## Pneumatic Actuator

(Double acting or spring return)

### TORQUE SPECIFICATIONS, SPRING RETURN

Actuator Size	Spring Set	Air Stroke										Spring Stroke		Model No.
		Air Supply: 40 PSI		Air Supply: 60 PSI		Air Supply: 80 PSI		Air Supply: 100 PSI		Air Supply: 120 PSI		Start	End	
		Start	End	Start	End	Start	End	Start	End	Start	End			
12	2	-	-	48	23	80	55	112	87	143	119	64	41	ES12-2
	3	49	8	107	66	166	126	225	185	284	243	94	58	ES25-3
25	4	-	-	85	31	144	90	202	149	261	208	125	78	ES25-4
	5	-	-	-	-	121	54	180	113	239	172	156	98	ES25-5
	6	-	-	-	-	99	18	157	77	216	136	188	117	ES25-6
	3	90	15	201	126	312	236	422	346	533	457	176	110	ES40-3
40	4	-	-	159	58	270	169	380	279	491	390	234	146	ES40-4
	5	-	-	-	-	228	101	338	212	449	322	293	183	ES40-5
	6	-	-	-	-	185	34	296	144	407	255	351	220	ES40-6
	3	129	10	297	178	466	347	634	515	802	683	279	175	ES65-3
65	4	-	-	230	72	398	240	566	408	735	576	372	234	ES65-4
	5	-	-	-	-	331	133	499	301	667	469	465	292	ES65-5
	6	-	-	-	-	264	26	432	195	601	363	558	351	ES65-6
	3	211	43	459	293	709	542	958	790	1,206	1,039	388	242	ES100-3
100	4	-	-	366	143	615	392	863	641	1,112	889	516	323	ES100-4
	5	-	-	-	-	522	244	771	492	1,019	741	646	403	ES100-5
	6	-	-	-	-	429	95	678	344	927	593	775	484	ES100-6
	3	448	73	994	620	1,539	1,165	2,085	1,711	2,630	2,256	868	543	ES200-3
200	4	-	-	786	287	1,332	833	1,878	1,378	2,423	1,924	1,157	723	ES200-4
	5	-	-	-	-	1,124	500	1,670	1,045	2,216	1,592	1,447	904	ES200-5
	6	-	-	-	-	916	167	1,462	713	2,008	1,259	1,736	1,085	ES200-6
	3	727	96	1,675	1,044	2,623	1,991	3,571	2,939	4,519	3,887	1,537	988	ES350-3
350	4	-	-	1,297	454	2,245	1,403	3,192	2,351	4,140	3,299	2,049	1,316	ES350-4
	5	-	-	-	-	1,867	813	2,815	1,763	3,762	2,710	2,561	1,645	ES350-5
	6	-	-	-	-	1,488	225	2,436	1,173	3,384	2,121	3,074	1,975	ES350-6
	3	1,298	193	2,908	1,804	4,520	3,415	6,131	5,026	7,742	6,637	2,584	1,623	ES600-3
600	4	-	-	2,287	813	3,898	2,425	5,509	4,036	7,120	5,647	3,447	2,165	ES600-4
	5	-	-	-	-	3,276	1,435	4,887	3,046	6,498	4,656	4,308	2,706	ES600-5
	6	-	-	-	-	2,654	444	4,265	2,055	5,876	3,666	5,170	3,247	ES600-6
	3	1,986	305	4,391	2,709	6,796	5,114	9,200	7,519	11,905	9,924	3,844	2,381	ES950-3
950	4	-	-	3,478	1,237	5,883	3,641	8,289	6,046	10,694	8,451	5,126	3,175	ES950-4
	5	-	-	-	-	4,972	2,168	7,376	4,573	9,781	6,978	6,407	3,968	ES950-5
	6	-	-	-	-	4,059	696	6,464	3,100	8,869	5,505	7,688	4,762	ES950-6
	3	3,245	579	7,220	4,554	11,195	8,530	15,171	12,505	19,147	16,481	6,289	3,970	ES1600-3
1600	4	-	-	5,699	2,145	9,675	6,120	13,650	10,095	17,625	14,071	8,385	5,293	ES1600-4
	5	-	-	-	-	8,153	3,710	12,129	7,686	16,105	11,662	10,481	6,616	ES1600-5
	6	-	-	-	-	6,633	1,301	10,609	5,277	14,583	9,252	12,578	7,939	ES1600-6
	8	5,251	1,781	11,245	7,775	17,239	13,769	23,233	19,763	29,227	25,758	9,351	5,868	PS2500-8
2500	10	-	-	9,615	5,277	15,609	11,272	21,603	17,266	27,597	23,260	11,689	7,335	PS2500-10
	12	-	-	7,985	2,780	13,979	8,774	19,973	14,768	25,967	20,763	14,026	8,803	PS2500-12
	14	-	-	-	-	12,349	6,277	18,343	12,271	24,337	18,265	16,364	10,270	PS2500-14
	8	8,949	3,096	19,111	13,257	29,272	23,418	39,434	33,580	49,595	43,741	15,780	9,905	PS4000-8
4000	10	-	-	16,359	9,042	26,521	19,204	36,682	29,365	46,844	39,527	19,725	12,381	PS4000-10
	12	-	-	13,608	4,827	23,770	14,989	33,931	25,150	44,092	35,312	23,670	14,857	PS4000-12
	14	-	-	-	-	21,018	10,774	31,180	20,936	41,341	31,097	27,615	17,333	PS4000-14

## E & P Series

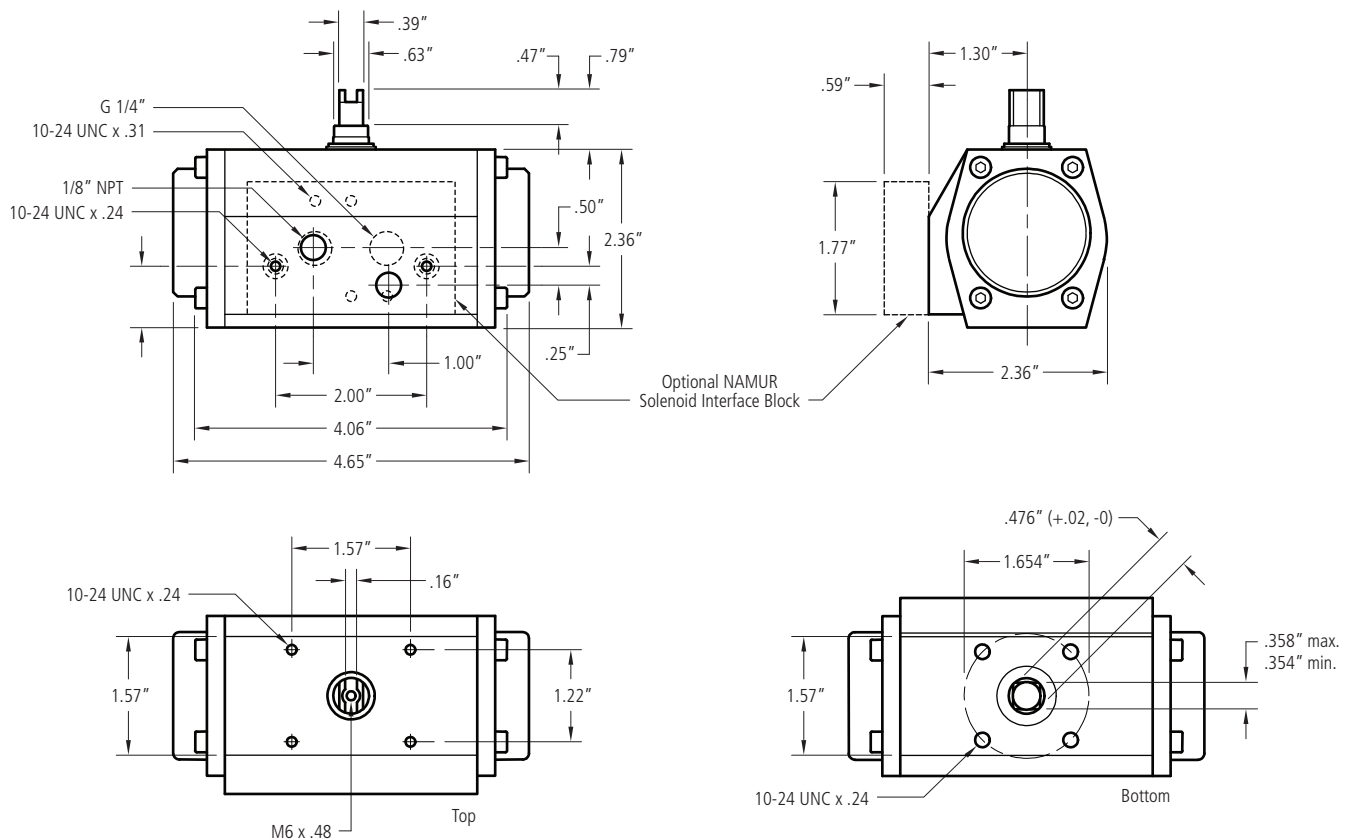
### Pneumatic Actuator

(Double acting or spring return)

#### TORQUE SPECIFICATIONS, DOUBLE ACTING

Actuator Size	Air Stroke													Model No.
	Air Supply (PSI)													
	30	35	40	45	50	55	60	70	75	80	90	100	120	
12	43.9	51.4	58.9	66.4	73.9	81.4	88.9	104	111	119	134	149	179	ED12
25	81.4	95.3	109	123	137	151	165	193	206	220	248	276	332	ED25
40	153	179	205	231	257	283	309	361	387	413	466	518	622	ED40
65	233	272	312	352	392	431	471	551	590	630	709	789	948	ED65
100	344	402	461	520	578	637	696	813	872	930	1,048	1,165	1,400	ED100
200	754	883	1,011	1,140	1,269	1,398	1,527	1,784	1,913	2,042	1,199	1,557	3,072	ED200
350	1,310	1,534	1,757	1,981	2,205	2,428	2,652	3,100	3,323	3,547	3,994	4,442	5,337	ED350
600	2,226	2,606	2,986	3,366	3,747	4,127	4,507	5,267	5,647	6,028	6,788	7,548	9,069	ED600
950	3,323	3,890	4,458	5,025	5,593	6,160	6,728	7,862	8,430	8,997	10,132	11,267	13,537	ED950
1600	5,493	6,431	7,369	8,307	9,245	10,183	11,121	12,998	13,936	14,874	16,750	18,626	22,379	ED1600
2500	8,774	10,273	11,825	13,270	14,768	16,267	17,847	20,858	22,363	23,869	26,880	29,891	35,912	PD2500
4000	14,874	17,414	19,962	22,495	25,035	27,576	30,127	35,210	37,751	40,293	45,375	50,458	60,623	PD4000

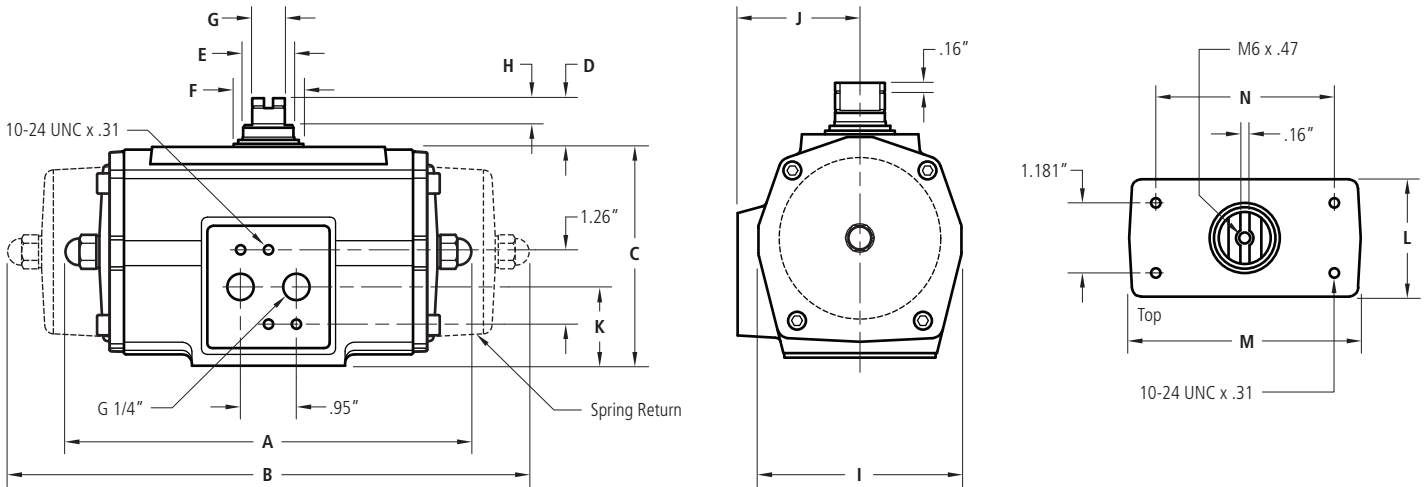
#### DIMENSIONS & SPECIFICATIONS (SIZE 12 ONLY)



## E & P Series

### Pneumatic Actuator

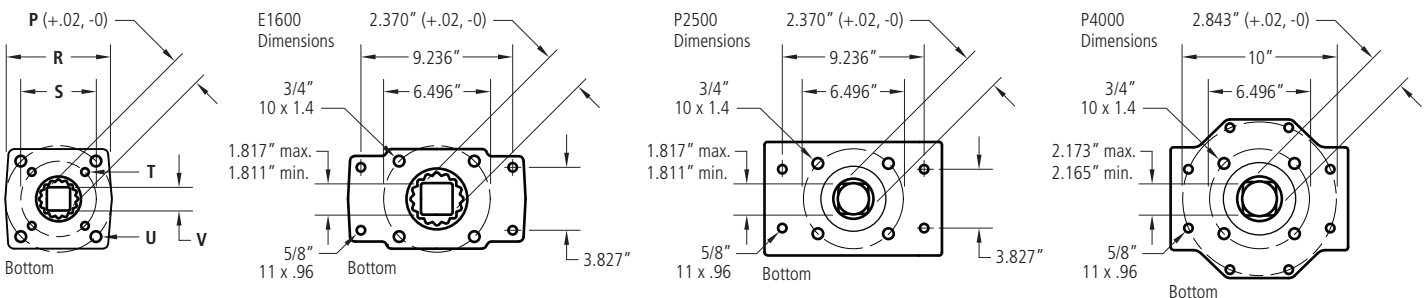
(Double acting or spring return)



### DIMENSIONS & SPECIFICATIONS

Actuator Size	A	B	C	D	E	F	G	H	I	J	K	L	M	N	Model No.
25	6.26	6.77	3.15	.79	.63	.91	.39	.47	2.91	1.81	1.26	1.97	3.94	3.150	E⊙25
40	7.09	8.03	3.66	.79	.87	1.18	.55	.47	3.39	2.09	1.32	1.97	3.94	3.150	E⊙40
65	7.83	9.80	4.13	.79	.87	1.18	.55	.47	3.86	2.26	1.54	1.97	3.94	3.150	E⊙65
100	8.70	10.51	4.65	.79	.87	1.18	.55	.47	4.25	2.48	1.59	2.36	3.94	3.150	E⊙100
200	11.14	14.17	5.63	.79	1.42	1.77	.75	.47	5.04	2.87	1.99	2.36	3.94	3.150	E⊙200
350	12.01	15.24	7.13	.79	1.42	1.77	.75	.47	6.81	3.71	2.85	2.36	3.94	3.150	E⊙350
600	15.24	18.78	8.66	1.18	2.17	2.56	1.42	.39	8.15	4.45	3.33	3.54	6.69	5.118	E⊙600
950	16.69	20.35	10.20	1.18	2.17	2.56	1.42	.39	9.09	4.96	4.15	3.54	6.69	5.118	E⊙950
1600	20.31	25.08	11.69	1.18	2.52	2.95	1.42	.39	10.43	5.59	4.74	4.92	8.27	5.118	E⊙1600
2500	14.88	22.44	14.02	1.18	2.17	2.56	1.42	.39	13.78	7.28	7.01	6.30	9.65	5.118	P⊙2500
4000	19.76	32.83	14.96	1.18	2.52	3.15	1.42	.39	14.96	7.87	7.48	6.30	9.65	5.118	P⊙4000

⊙ Type: D = Double Acting; S = Spring Return.



### MOUNTING DIMENSIONS & SPECIFICATIONS

Actuator Size	P	R	S	T	U	V	
						max.	min.
25	.555	1.969	-	-	1/4" 20 x .39	.437	.433
40	.713	2.756	1.969	1/4" 20 x .39	5/16" 18 x .39	.556	.551
65	.713	2.756	1.969	1/4" 20 x .39	5/16" 18 x .39	.556	.551
100	.992	2.756	1.969	1/4" 20 x .39	5/16" 18 x .39	.753	.748

Actuator Size	P	R	S	T	U	V	
						max.	min.
200	1.110	4.016	2.756	5/16" 18 x .39	3/8" 16 x .63	.871	.866
350	1.425	4.016	2.756	5/16" 18 x .39	3/8" 16 x .63	1.068	1.063
600	1.425	4.921	4.016	3/8" 16 x .63	1/2" 13 x .79	1.067	1.063
950	1.898	5.512	4.016	3/8" 16 x .63	5/8" 11 x .98	1.424	1.417