

PTP Series

PVC 3-way Ball Valve



PTP Series valves can be used for flow diverting, mixing, or on/off isolation. They replace a Tee + 2 valve linkage assembly at reduced cost and space, along with shorter installation and maintenance time. The patented Dual Block® system allows the valve to excel in working conditions where vibrations and thermal expansion may affect the performance of ordinary ball valves. The system incorporates a union nut locking device on all three ports, which prevents back-off during severe service conditions.

An integral mounting flange and bracket allows for direct actuation and simple support, while a locking handle prevents improper positioning. The exclusive handle design can be equipped with an engineered block that locks the valve in open and closed positions, without increasing the overall valve dimension – critical for small diameter, small space applications.

FEATURES

- Patented seat stop carrier allows for in-line microadjustment of the ball seating, featuring o-ring cushioning to minimize wear and prevent seizing.
- Multifunctional handle provides compact design and precision jointing with the valve stem.
- Stem ball connection is fully machined after molding, giving very precise dimension tolerances. This provides reduced torque transmission and high mechanical resistance.
- Two O-rings assure perfect stem sealing.
- Red optical indicator at top of stem clearly shows the position of the ball ports.
- An integrated molded bracket for valve and pipeline mounting is standard.
- Integrated valve support and ISO actuator pads are available.

ACTUATOR CONFIGURATIONS

- Electric.
- Pneumatic (spring return).
- Pneumatic (double acting).
- Manual handle lever.

MAXIMUM PRESSURE

232 PSI (at 73°F)

TEMPERATURE RANGE

32°F to 140°F

MATERIALS OF CONSTRUCTION

Body:

PVC.

Seats:

PTFE.

Seals:

EPDM or Viton® (FKM).

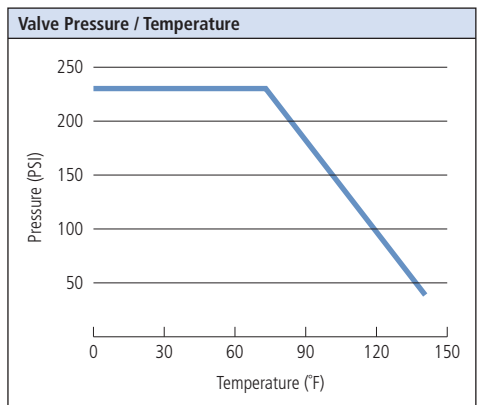
SPECIFICATIONS

Connections:

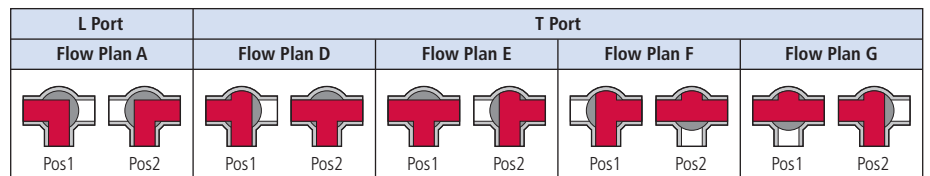
1/2" to 2" NPT threaded or IPS socket.

Standards:

ASTM D1784, ASTM D2466, ASTM D2467, ASTM D2464, ASTM F1498 and ANSI B1.20.1.



PORT ARRANGEMENTS



PTP Series

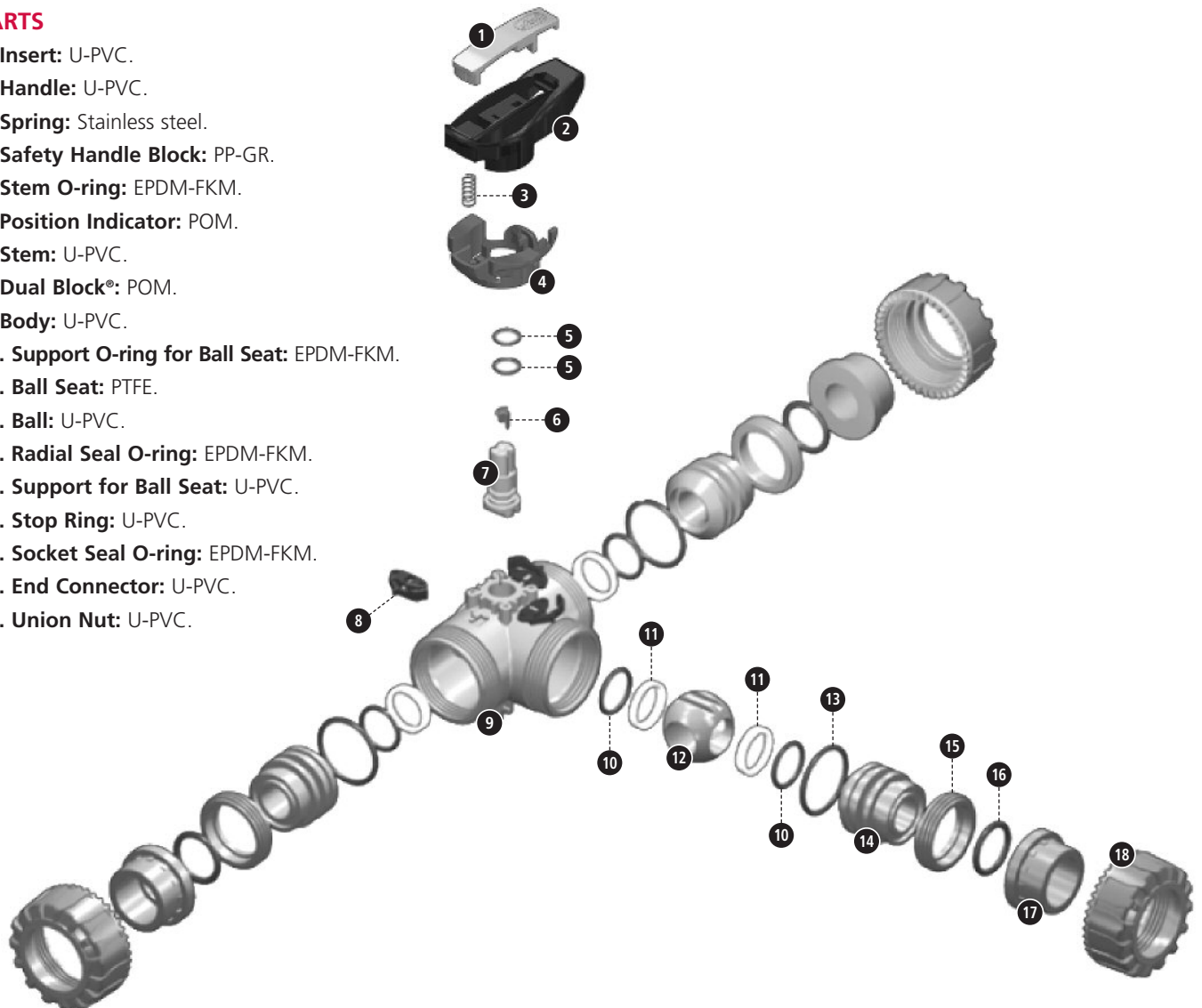
PVC 3-way ball valve
(1/2" to 2" sizes available)

CV FACTORS

Size	Cv (per Flow Plan)								
	A	D		E		F		G	
	Pos1 or Pos2	Pos1	Pos2	Pos1	Pos2	Pos1	Pos2	Pos1	Pos2
1/2"	5.11	3.85	2.45	2.45	3.85	4.55	13.7	13.7	4.55
3/4"	10.5	9.5	6.65	6.65	9.5	10.2	26.6	26.6	10.2
1"	18.6	14.4	9.8	9.8	14.4	17.2	53.2	53.2	17.2
1-1/4"	33.3	27.3	18.9	18.9	27.3	32.2	73.5	73.5	32.2
1-1/2"	43.3	33.3	23.1	23.1	33.3	42	119	119	42
2"	85.4	63	43.4	43.4	63	84	224	224	84

PARTS

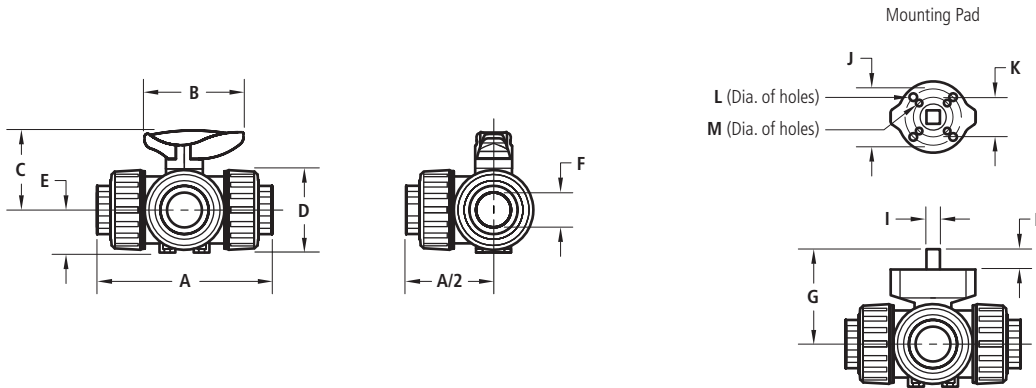
1. **Insert:** U-PVC.
2. **Handle:** U-PVC.
3. **Spring:** Stainless steel.
4. **Safety Handle Block:** PP-GR.
5. **Stem O-ring:** EPDM-FKM.
6. **Position Indicator:** POM.
7. **Stem:** U-PVC.
8. **Dual Block®:** POM.
9. **Body:** U-PVC.
10. **Support O-ring for Ball Seat:** EPDM-FKM.
11. **Ball Seat:** PTFE.
12. **Ball:** U-PVC.
13. **Radial Seal O-ring:** EPDM-FKM.
14. **Support for Ball Seat:** U-PVC.
15. **Stop Ring:** U-PVC.
16. **Socket Seal O-ring:** EPDM-FKM.
17. **End Connector:** U-PVC.
18. **Union Nut:** U-PVC.



PTPM Series

Full port PVC ball valve

(NPT threaded or IPS socket end connections)



DIMENSIONS, WEIGHTS & SPECIFICATIONS

Size	A	B	C	D	E	F	Wt. (lbs.)	Model No.
1/2"	5.20	2.64	2.13	2.13	1.14	.84	.68	CPTP⊙⊙⊙M
3/4"	6.27	3.35	2.56	2.56	1.36	1.05	1.21	DPTP⊙⊙⊙M
1"	6.85	3.35	2.74	2.74	1.54	1.32	1.74	EPTP⊙⊙⊙M
1-1/4"	8.07	4.25	3.25	3.25	1.81	1.66	2.81	FPTP⊙⊙⊙M
1-1/2"	8.96	4.25	3.50	3.50	2.05	1.90	3.66	GPTP⊙⊙⊙M
2"	10.51	5.28	4.25	4.25	2.44	2.38	6.17	HPTP⊙⊙⊙M

⊙ Seal Material: **E** = EPDM; **V** = Viton®. ⊙ End Connection: **N** = NPT; **S** = Glued Socket. ⊙ Flow Pattern: **A, D, E, F, G**.

MOUNTING DIMENSIONS & SPECIFICATIONS

Size	G	H	I	J	K	L	M
1/2"	2.28	.47	.43	F04	F03	.22	.22
3/4"	2.89	.47	.43	F05 / F04	F03	.26 / .22	.22
1"	2.91	.47	.43	F05 / F04	F03	.26 / .22	.22
1-1/4"	3.82	.63	.43 / .55	F05	F05	.26	.26
1-1/2"	4.09	.63	.43 / .55	F05	F05	.26	.26
2"	4.49	.63	.43 / .55	F07	F05	.33	.26

PTP VALVE FEATURES

- Full port PVC body and ball.
- Bow out proof stem.
- NPT and socket weld end connections.
- PTFE seals.
- Viton® or EPDM stem and body seals.
- Optional actuator mounting block.
- Pressure range: 232 PSI (at 73°F).

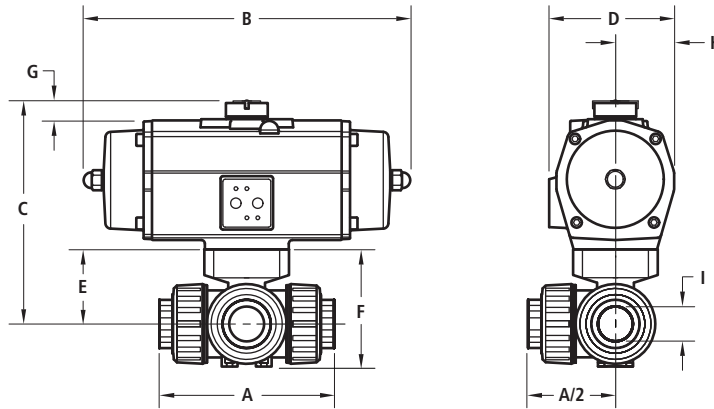
LEVER HANDLE FEATURES

- Locking device.

PTPESR Series

Full port PVC ball valve with spring return pneumatic actuator

(NPT threaded or IPS socket end connections, actuators are sized for 150 PSI pressure differential)



DIMENSIONS, WEIGHTS & SPECIFICATIONS

Size	A	B	C	D	E	F	G	H	I	Actuator	Wt. (lbs.)	Model No.
80 PSI Minimum Actuator Air Supply = 85												
1/2"	5.20	4.65	6.25	2.36	3.10	4.24	.79	1.06	.84	ES12	3.5	CPPTP⊙⊙⊙E85⊙
3/4"	6.27	6.77	6.83	3.26	2.89	4.25	.79	1.46	1.05	ES25	4.9	DPTP⊙⊙⊙E85⊙
1"	6.85	6.77	6.85	3.26	2.91	4.45	.79	1.46	1.32	ES25	5.5	EPTP⊙⊙⊙E85⊙
1-1/4"	8.07	6.77	7.76	3.26	3.82	5.63	.79	1.46	1.66	ES25	6.5	FPTP⊙⊙⊙E85⊙
1-1/2"	8.96	6.77	8.03	3.26	4.09	6.14	.79	1.46	1.90	ES25	7.4	GPTP⊙⊙⊙E85⊙
2"	10.51	8.03	8.94	3.78	4.49	6.93	.79	1.70	2.38	ES40	11.5	HPTP⊙⊙⊙E85⊙
60 PSI Minimum Actuator Air Supply = 65												
1/2"	5.20	4.65	6.25	2.36	3.10	4.24	.79	1.06	.84	ES12	3.5	CPPTP⊙⊙⊙E65⊙
3/4"	6.27	6.77	6.83	3.26	2.89	4.25	.79	1.46	1.05	ES25	4.9	DPTP⊙⊙⊙E65⊙
1"	6.85	6.77	6.85	3.26	2.91	4.45	.79	1.46	1.32	ES25	5.5	EPTP⊙⊙⊙E65⊙
1-1/4"	8.07	6.77	7.76	3.26	3.82	5.63	.79	1.46	1.66	ES25	6.5	FPTP⊙⊙⊙E65⊙
1-1/2"	8.96	8.03	8.54	3.78	4.09	6.14	.79	1.70	1.90	ES40	9.0	GPTP⊙⊙⊙E65⊙
2"	10.51	9.80	9.41	4.19	4.49	6.93	.79	1.93	2.38	ES65	14.1	HPTP⊙⊙⊙E65⊙

⊙ Seal Material: **E** = EPDM; **V** = Viton®. ⊙ End Connection: **N** = NPT; **S** = Glued Socket. ⊙ Flow Pattern: **A, D, E, F, G**. ⊙ Fail Position: **1, 2**.
Note: 1/2" size valve is assembled with fabricated mounting kit and not direct mount.

PTP VALVE FEATURES

- Full port PVC body and ball.
- Bow out proof stem.
- NPT and socket weld end connections.
- PTFE seals.
- Viton® or EPDM stem and body seals.
- Optional actuator mounting block.
- Pressure range: 232 PSI (at 73°F).

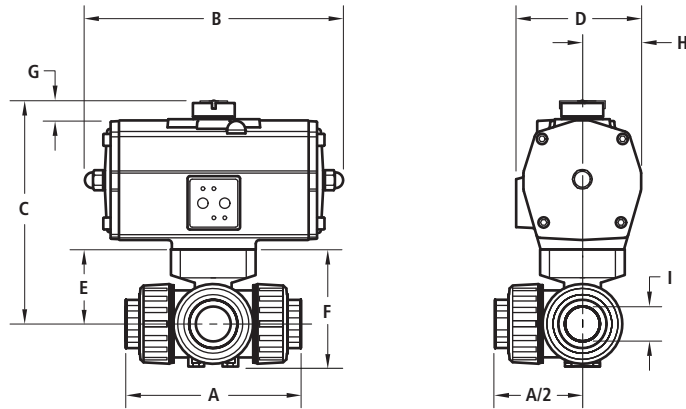
PNEUMATIC ACTUATOR FEATURES

- E Series spring return rack and pinion actuator.
- Corrosion resistant coating.
- NAMUR solenoid mounting pad, ISO 5211 mounting standard.
- Visual position indicator.
- High duty cycle, permanent lubrication.
- Temperature range: -4°F to 175°F.

PTPEDA Series

Full port PVC ball valve with double acting pneumatic actuator

(NPT threaded or IPS socket end connections, actuators are sized for 150 PSI pressure differential)



DIMENSIONS, WEIGHTS & SPECIFICATIONS

Size	A	B	C	D	E	F	G	H	I	Actuator	Wt. (lbs.)	Model No.
80 PSI Minimum Actuator Air Supply = 8D												
1/2"	5.20	4.06	6.25	2.36	2.28	3.42	.79	1.06	.84	ED12	3.3	CPTP○○○○E8D
3/4"	6.27	6.26	6.83	3.26	2.89	4.25	.79	1.46	1.05	ED25	4.1	DPTP○○○○E8D
1"	6.85	6.26	6.85	3.26	2.91	4.45	.79	1.46	1.32	ED25	4.6	EPTP○○○○E8D
1-1/4"	8.07	6.26	7.76	3.26	3.82	5.63	.79	1.46	1.66	ED25	5.7	FPTP○○○○E8D
1-1/2"	8.96	6.26	8.03	3.26	4.09	6.14	.79	1.46	1.90	ED25	6.6	GPTP○○○○E8D
2"	10.51	7.09	8.94	3.78	4.49	6.93	.79	1.70	2.38	ED40	10.2	HPTP○○○○E8D
60 PSI Minimum Actuator Air Supply = 6D												
1/2"	5.20	4.06	6.25	2.36	2.28	3.42	.79	1.06	.84	ED12	3.3	CPTP○○○○E6D
3/4"	6.27	6.26	6.83	3.26	2.89	4.25	.79	1.46	1.05	ED25	4.1	DPTP○○○○E6D
1"	6.85	6.26	6.85	3.26	2.91	4.45	.79	1.46	1.32	ED25	4.6	EPTP○○○○E6D
1-1/4"	8.07	6.26	7.76	3.26	3.82	5.63	.79	1.46	1.66	ED25	5.7	FPTP○○○○E6D
1-1/2"	8.96	6.26	8.03	3.26	4.09	6.14	.79	1.46	1.90	ED25	6.6	GPTP○○○○E6D
2"	10.51	7.09	8.94	3.78	4.49	6.93	.79	1.70	2.38	ED40	10.2	HPTP○○○○E6D

⊙ Seal Material: **E** = EPDM; **V** = Viton®. ⊙ End Connection: **N** = NPT; **S** = Glued Socket. ⊙ Flow Pattern: **A, D, E, F, G**.
Note: 1/2" size valve is assembled with fabricated mounting kit and not direct mount.

PTP VALVE FEATURES

- Full port PVC body and ball.
- Bow out proof stem.
- NPT and socket weld end connections.
- PTFE seals.
- Viton® or EPDM stem and body seals.
- Optional actuator mounting block.
- Pressure range: 232 PSI (at 73°F).

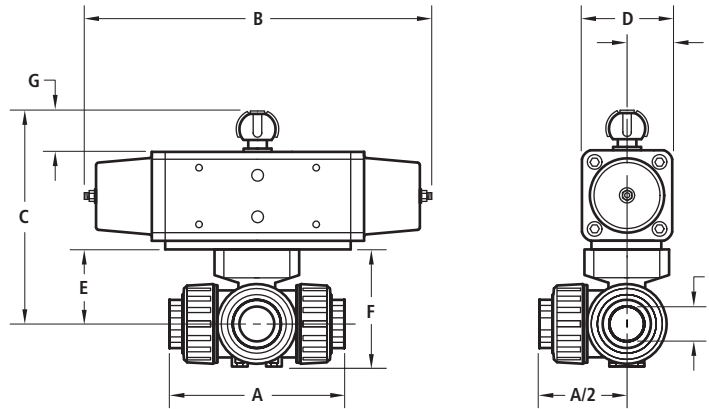
PNEUMATIC ACTUATOR FEATURES

- E Series double acting rack and pinion actuator.
- Corrosion resistant coating.
- NAMUR solenoid mounting pad, ISO 5211 mounting standard.
- Visual position indicator.
- High duty cycle, permanent lubrication.
- Temperature range: -4°F to 175°F.

PTPOSR Series

Full port PVC ball valve with spring return pneumatic actuator

(NPT threaded or IPS socket end connections, actuators are sized for 150 PSI pressure differential)



DIMENSIONS, WEIGHTS & SPECIFICATIONS

Size	A	B	C	D	E	F	G	H	I	Actuator	Wt. (lbs.)	Model No.
80 PSI Minimum Actuator Air Supply = 85												
1/2"	5.20	9.45	5.82	2.56	2.28	3.42	.79	1.28	.84	PS030	5.1	CPTPⓄⓄⓄ085Ⓞ
3/4"	6.27	9.45	6.43	2.56	2.89	4.25	.79	1.28	1.05	PS030	5.6	DPTPⓄⓄⓄ085Ⓞ
1"	6.85	9.45	6.45	2.56	2.91	4.45	.79	1.28	1.32	PS030	6.1	EPTPⓄⓄⓄ085Ⓞ
1-1/4"	8.07	9.45	7.36	2.56	3.82	5.63	.79	1.28	1.66	PS030	7.2	FPTPⓄⓄⓄ085Ⓞ
1-1/2"	8.96	9.45	7.63	2.56	4.09	6.14	.79	1.28	1.90	PS030	8.1	GPTPⓄⓄⓄ085Ⓞ
2"	10.51	11.58	8.33	2.83	4.49	6.93	.79	1.41	2.38	PS045	11.5	HPTPⓄⓄⓄ085Ⓞ
60 PSI Minimum Actuator Air Supply = 65												
1/2"	5.20	9.45	5.82	2.56	2.28	3.42	.79	1.28	.84	PS030	5.1	CPTPⓄⓄⓄ065Ⓞ
3/4"	6.27	9.45	6.43	2.56	2.89	4.25	.79	1.28	1.05	PS030	5.6	DPTPⓄⓄⓄ065Ⓞ
1"	6.85	9.45	6.45	2.56	2.91	4.45	.79	1.28	1.32	PS030	6.1	EPTPⓄⓄⓄ065Ⓞ
1-1/4"	8.07	9.45	7.36	2.56	3.82	5.63	.79	1.28	1.66	PS030	7.2	FPTPⓄⓄⓄ065Ⓞ
1-1/2"	8.96	9.45	7.63	2.56	4.09	6.14	.79	1.28	1.90	PS030	8.1	GPTPⓄⓄⓄ065Ⓞ
2"	10.51	11.58	8.33	2.83	4.49	6.93	.79	1.41	2.38	PS045	11.5	HPTPⓄⓄⓄ065Ⓞ

Ⓞ Seal Material: **E** = EPDM; **V** = Viton®. Ⓞ End Connection: **N** = NPT; **S** = Glued Socket. Ⓞ Flow Pattern: **A, D, E, F, G**. Ⓞ Fail Position: **1, 2**.

PTP VALVE FEATURES

- Full port PVC body and ball.
- Bow out proof stem.
- NPT and socket weld end connections.
- PTFE seals.
- Viton® or EPDM stem and body seals.
- Optional actuator mounting block.
- Pressure range: 232 PSI (at 73°F).

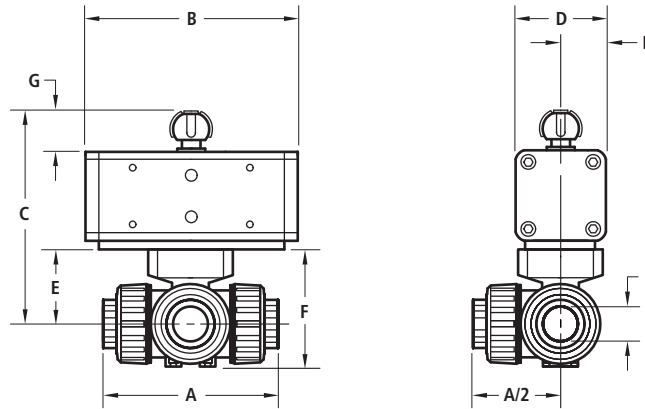
PNEUMATIC ACTUATOR FEATURES

- O Series spring return pneumatic actuator.
- Corrosion resistant coating.
- NAMUR solenoid mounting pad, ISO 5211 mounting standard.
- Visual position indicators.
- High duty cycle, permanent lubrication.
- Temperature range: -4°F to 175°F.

PTPODA Series

Full port PVC ball valve with double acting pneumatic actuator

(NPT threaded or IPS socket end connections, actuators are sized for 150 PSI pressure differential)



DIMENSIONS, WEIGHTS & SPECIFICATIONS

Size	A	B	C	D	E	F	G	H	I	Actuator	Wt. (lbs.)	Model No.
80 PSI Minimum Actuator Air Supply = 8D												
1/2"	5.20	5.67	5.65	2.36	2.28	3.42	.79	1.18	.84	PD045	3.5	CPTP○○○○08D
3/4"	6.27	5.67	6.26	2.36	2.89	4.25	.79	1.18	1.05	PD045	4.0	DPTP○○○○08D
1"	6.85	5.67	6.28	2.36	2.91	4.45	.79	1.18	1.32	PD045	4.5	EPTP○○○○08D
1-1/4"	8.07	5.67	7.19	2.36	3.82	5.63	.79	1.18	1.66	PD045	5.6	FPTP○○○○08D
1-1/2"	8.96	5.67	7.46	2.36	4.09	6.14	.79	1.18	1.90	PD045	6.5	GPTP○○○○08D
2"	10.51	6.65	8.33	2.83	4.49	6.93	.79	1.41	2.38	PD090	10.3	HPTP○○○○08D
60 PSI Minimum Actuator Air Supply = 6D												
1/2"	5.20	5.67	5.65	2.36	2.28	3.42	.79	1.18	.84	PD045	3.5	CPTP○○○○06D
3/4"	6.27	5.67	6.26	2.36	2.89	4.25	.79	1.18	1.05	PD045	4.0	DPTP○○○○06D
1"	6.85	5.67	6.28	2.36	2.91	4.45	.79	1.18	1.32	PD045	4.5	EPTP○○○○06D
1-1/4"	8.07	5.67	7.19	2.36	3.82	5.63	.79	1.18	1.66	PD045	5.6	FPTP○○○○06D
1-1/2"	8.96	5.67	7.46	2.36	4.09	6.14	.79	1.18	1.90	PD045	6.5	GPTP○○○○06D
2"	10.51	6.65	8.33	2.83	4.49	6.93	.79	1.41	2.38	PD090	10.3	HPTP○○○○06D

⊙ Seal Material: **E** = EPDM; **V** = Viton®. ⊙ End Connection: **N** = NPT; **S** = Glued Socket. ⊙ Flow Pattern: **A, D, E, F, G.**

PTP VALVE FEATURES

- Full port PVC body and ball.
- Bow out proof stem.
- NPT and socket weld end connections.
- PTFE seals.
- Viton® or EPDM stem and body seals.
- Optional actuator mounting block.
- Pressure range: 232 PSI (at 73°F).

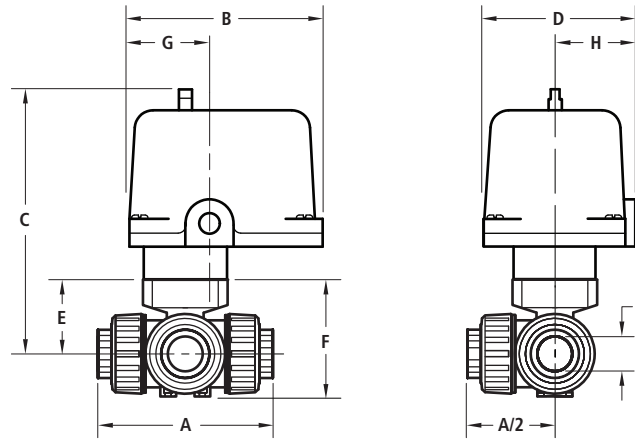
PNEUMATIC ACTUATOR FEATURES

- O Series double acting pneumatic actuator.
- Corrosion resistant coating.
- NAMUR solenoid mounting pad, ISO 5211 mounting standard.
- Visual position indicators.
- High duty cycle, permanent lubrication.
- Temperature range: -4°F to 175°F.

PTPR4 Series

Full port PVC ball valve with electric actuator, NEMA 4, 4X

(NPT threaded or IPS socket end connections, actuators are sized for 150 PSI pressure differential)



DIMENSIONS, WEIGHTS & SPECIFICATIONS

Size	A	B	C	D	E	F	G	H	I	Actuator	Wt. (lbs.)	Model No.
1/2"	5.20	5.95	8.33	4.40	2.28	3.42	2.48	2.20	.84	R300 (9 sec.)	6.7	CPTP⊙⊙⊙R4⊙
3/4"	6.27	5.95	8.94	4.40	2.89	4.25	2.48	2.20	1.05	R300 (9 sec.)	7.2	DPTP⊙⊙⊙R4⊙
1"	6.85	5.95	8.96	4.40	2.91	4.45	2.48	2.20	1.32	R300 (9 sec.)	7.7	EPTP⊙⊙⊙R4⊙
1-1/4"	8.07	5.95	9.87	4.40	3.82	5.63	2.48	2.20	1.66	R300 (9 sec.)	8.8	FPTP⊙⊙⊙R4⊙
1-1/2"	8.96	5.95	10.14	4.40	4.09	6.14	2.48	2.20	1.90	R300 (9 sec.)	9.7	GPTP⊙⊙⊙R4⊙
2"	10.51	5.95	10.54	4.40	4.09	6.93	2.48	2.20	2.38	R300 (9 sec.)	12.2	HPTP⊙⊙⊙R4⊙

⊙ Seal Material: **E** = EPDM; **V** = Viton®. ⊙ End Connection: **N** = NPT; **S** = Glued Socket. ⊙ Flow Pattern: **A, D, E, F, G**.
⊙ Voltage: **A** = 120 VAC; **B** = 24 VDC; **C** = 220 VAC; **E** = 24 VAC; **F** = 12 VDC.

PTP VALVE FEATURES

- Full port PVC body and ball.
- Bow out proof stem.
- NPT and socket weld end connections.
- PTFE seals.
- Viton® or EPDM stem and body seals.
- Optional actuator mounting block.
- Pressure range: 232 PSI (at 73°F).

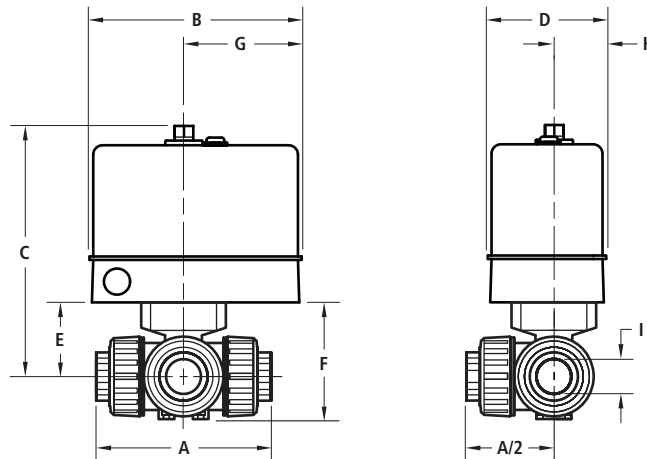
ELECTRIC ACTUATOR FEATURES

- R Series electric actuator.
- NEMA 4, 4X.
- Voltages available: 120 VAC, 12 VDC, 24 VDC.
- Duty cycle: 25% at 120 VAC, 100% at DC units.
- ISO 5211 universal mounting.
- Manual override.
- Permanent lubrication.
- Visual position indicator.
- Temperature range: 0°F to 150°F.

PTPV4 Series

Full port PVC ball valve with electric actuator, NEMA 4, 4X

(NPT threaded or IPS socket end connections, actuators are sized for 150 PSI pressure differential)



DIMENSIONS, WEIGHTS & SPECIFICATIONS

Size	A	B	C	D	E	F	G	H	I	Actuator	Wt. (lbs.)	Model No.
1/2"	5.20	5.50	6.51	3.00	2.28	3.42	3.06	1.38	.84	EV1S1V1	5.7	CPTP⊙⊙⊙V4⊙
3/4"	6.27	5.50	7.12	3.00	2.89	4.25	3.06	1.38	1.05	EV1S1V1	6.2	DPTP⊙⊙⊙V4⊙
1"	6.85	5.50	7.14	3.00	2.91	4.45	3.06	1.38	1.32	EV1S1V1	6.7	EPTP⊙⊙⊙V4⊙
1-1/4"	8.07	5.50	8.05	3.00	3.82	5.63	3.06	1.38	1.66	EV1S1V1	7.8	FPTP⊙⊙⊙V4⊙
1-1/2"	8.96	5.50	8.32	3.00	4.09	6.14	3.06	1.38	1.90	EV1S1V1	8.7	GPTP⊙⊙⊙V4⊙
2"	10.51	5.50	8.72	3.00	4.09	6.93	3.06	1.38	2.38	EV3S1V1	11.2	HPTP⊙⊙⊙V4⊙

⊙ Seal Material: **E** = EPDM; **V** = Viton®. ⊙ End Connection: **N** = NPT; **S** = Glued Socket. ⊙ Flow Pattern: **A, D, E, F, G**.
⊙ Voltage: **A** = 120 VAC; **B** = 24 VDC; **C** = 220 VAC; **E** = 24 VAC; **F** = 12 VDC.

PTP VALVE FEATURES

- Full port PVC body and ball.
- Bow out proof stem.
- NPT and socket weld end connections.
- PTFE seals.
- Viton® or EPDM stem and body seals.
- Optional actuator mounting block.
- Pressure range: 232 PSI (at 73°F).

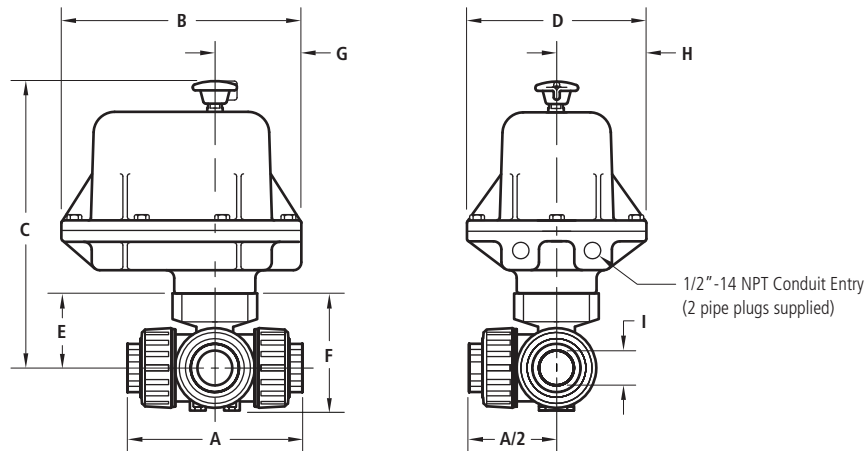
ELECTRIC ACTUATOR FEATURES

- V Series electric actuator.
- NEMA 4, 4X.
- Voltages available: 120 VAC, 220 VAC, 24 VAC, 12 VDC, 24VDC.
- Duty cycle: 25% at 120 VAC (EV1), 75% at 120 VAC (EV3, NV6), 100% at DC units.
- ISO 5211 universal mounting.
- Manual override.
- Permanent lubrication.
- Visual position indicator.
- Temperature range: 0°F to 160°F.

PTPB7 Series 1/2" to 1-1/4" Sizes

Full port PVC ball valve with explosion proof electric actuator, NEMA 7, 120 VAC

(NPT threaded or IPS socket end connections, actuators are sized for 150 PSI pressure differential)



DIMENSIONS, WEIGHTS & SPECIFICATIONS

Size	A	B	C	D	E	F	G	H	I	Actuator	Wt. (lbs.)	Model No.
1/2"	5.20	8.25	9.78	6.25	2.28	3.42	3.00	3.12	.84	EM300-4	12.7	CPTP⊙⊙⊙B7
3/4"	6.27	8.25	10.82	6.25	2.89	4.25	3.00	3.12	1.05	EM300-4	13.2	DPPTP⊙⊙⊙B7
1"	6.85	8.25	11.00	6.25	2.91	4.45	3.00	3.12	1.32	EM300-4	13.7	EPTP⊙⊙⊙B7
1-1/4"	8.07	8.25	11.23	6.25	3.82	5.63	3.00	3.12	1.66	EM300-4	14.8	FPTP⊙⊙⊙B7

⊙ Seal Material: **E** = EPDM; **V** = Viton®. ⊙ End Connection: **N** = NPT; **S** = Glued Socket. ⊙ Flow Pattern: **A, D, E, F, G**.
Note: 3/4" to 1-1/4" size valves are assembled with fabricated mounting kit and not direct mount.

PTP VALVE FEATURES

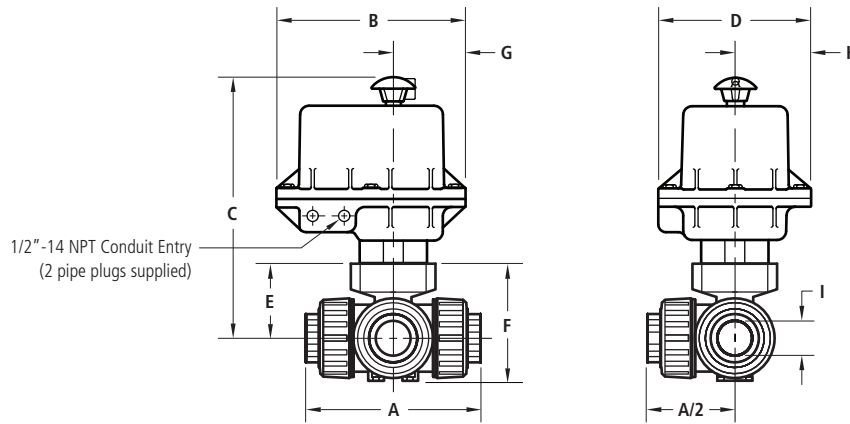
- Full port PVC body and ball.
- Bow out proof stem.
- NPT and socket weld end connections.
- PTFE seals.
- Viton® or EPDM stem and body seals.
- Optional actuator mounting block.
- Pressure range: 232 PSI (at 73°F).

ELECTRIC ACTUATOR FEATURES

- B7 Series electric actuator.
- Actuator speed: 15 sec.
- NEMA 4, 4x, 7 and 9; CSA approved.
- Weatherproof.
- Class I Groups C and D, Div. 1.
- Class II Groups E, F and G.
- (2) 1/2" NPT conduit entries.
- Manual override.
- Visual position indicator.
- CSA certified.
- Temperature range: 0°F to 160°F.

PTPB7 Series 1-1/2" to 2" Sizes

Full port PVC ball valve with explosion proof electric actuator, NEMA 7, 120 VAC
(NPT threaded or IPS socket end connections, actuators are sized for 150 PSI pressure differential)



DIMENSIONS, WEIGHTS & SPECIFICATIONS

Size	A	B	C	D	E	F	G	H	I	Actuator	Wt. (lbs.)	Model No.
1-1/2"	8.96	9.75	13.53	7.75	4.09	6.14	3.75	3.88	1.90	EM250-5	21.7	GP [Ⓞ] TP [Ⓞ] Ⓞ [Ⓞ] B7
2"	10.51	9.75	13.93	7.75	4.09	6.93	3.75	3.88	2.38	EM250-5	24.2	HP [Ⓞ] TP [Ⓞ] Ⓞ [Ⓞ] B7

Ⓞ Seal Material: E = EPDM; V = Viton®. Ⓞ End Connection: N = NPT; S = Glued Socket. Ⓞ Flow Pattern: A, D, E, F, G.

PTP VALVE FEATURES

- Full port PVC body and ball.
- Bow out proof stem.
- NPT and socket weld end connections.
- PTFE seals.
- Viton® or EPDM stem and body seals.
- Optional actuator mounting block.
- Pressure range: 232 PSI (at 73°F).

ELECTRIC ACTUATOR FEATURES

- B7 Series electric actuator.
- Actuator speed: 15 sec.
- NEMA 4, 7 and 9; CSA approved.
- Weatherproof.
- Class I Groups C and D, Div. 1.
- Class II Groups E, F and G.
- (2) 1/2" NPT conduit entries.
- Manual override.
- Visual position indicator.
- CSA certified.
- Temperature range: 0°F to 160°F.