

# HPW Series

## High Performance Wafer Style Butterfly Valve



The HPW is a high performance wafer style butterfly valve that can be equipped with a manual handle or with pneumatic or electric actuators.

A full range of accessory items are available including limit switches, solenoid valves, positioners and manual override devices.

### FEATURES

- ANSI Class 150 or 300.
- Complete line of accessories.

### MATERIALS OF CONSTRUCTION

**Seat:**

RTFE.

**Disc:**

316 stainless steel.

**Body:**

Carbon steel or 316 stainless steel.

### ACTUATOR CONFIGURATIONS

- Electric.
- Pneumatic (spring return).
- Pneumatic (double acting).
- Manual handle.
- Manual handle with limit switch.

### PRESSURE RANGE

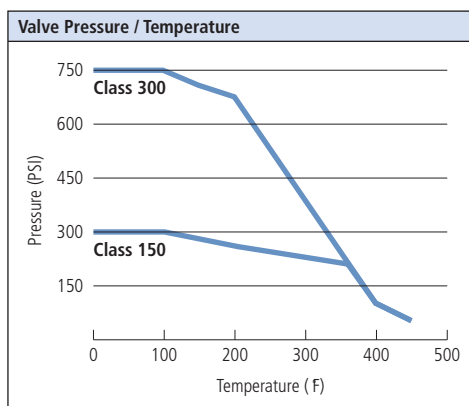
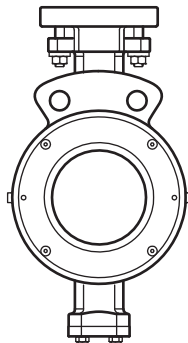
**Class 150:**

29 inHg vacuum to 285 PSI

**Class 300:**

29 inHg vacuum to 740 PSI

**Wafer Style Valve ▶**  
Installs between flanges.  
Bolts span the body.



### CV FACTORS

Size	CV at Specified Disc Opening									
	10°	20°	30°	40°	50°	60°	70°	80°	90°	
<b>Class 150</b>										
2"	2	5	12	19	32	45	65	81	88	
2-1/2"	3	9	21	33	54	77	111	138	150	
3"	5	14	32	50	82	116	168	209	227	
4"	9	25	57	90	148	209	303	377	410	
5"	16	44	104	163	266	377	548	681	740	
6"	25	65	150	235	380	540	785	975	1060	
8"	55	130	305	480	785	1110	1615	2005	2200	
10"	85	205	475	750	1225	1735	2520	3135	3400	
12"	115	280	655	1025	1680	2380	3450	4290	4700	
<b>Class 300</b>										
2"	2	5	12	19	32	45	65	81	88	
2-1/2"	3	9	21	33	54	77	111	138	150	
3"	5	14	32	50	82	116	168	209	227	
4"	9	25	57	90	148	209	303	377	410	
5"	16	44	104	163	266	377	548	681	740	
6"	24	60	139	218	357	506	735	914	995	
8"	45	110	260	410	670	945	1375	1710	1900	
10"	75	175	415	650	1065	1505	2185	2720	3000	
12"	105	250	580	910	1485	2115	3070	3815	41000	

# HPW Series

High Performance butterfly valve  
(Wafer style)

## CLASS 150 MAX. OPERATING TORQUES

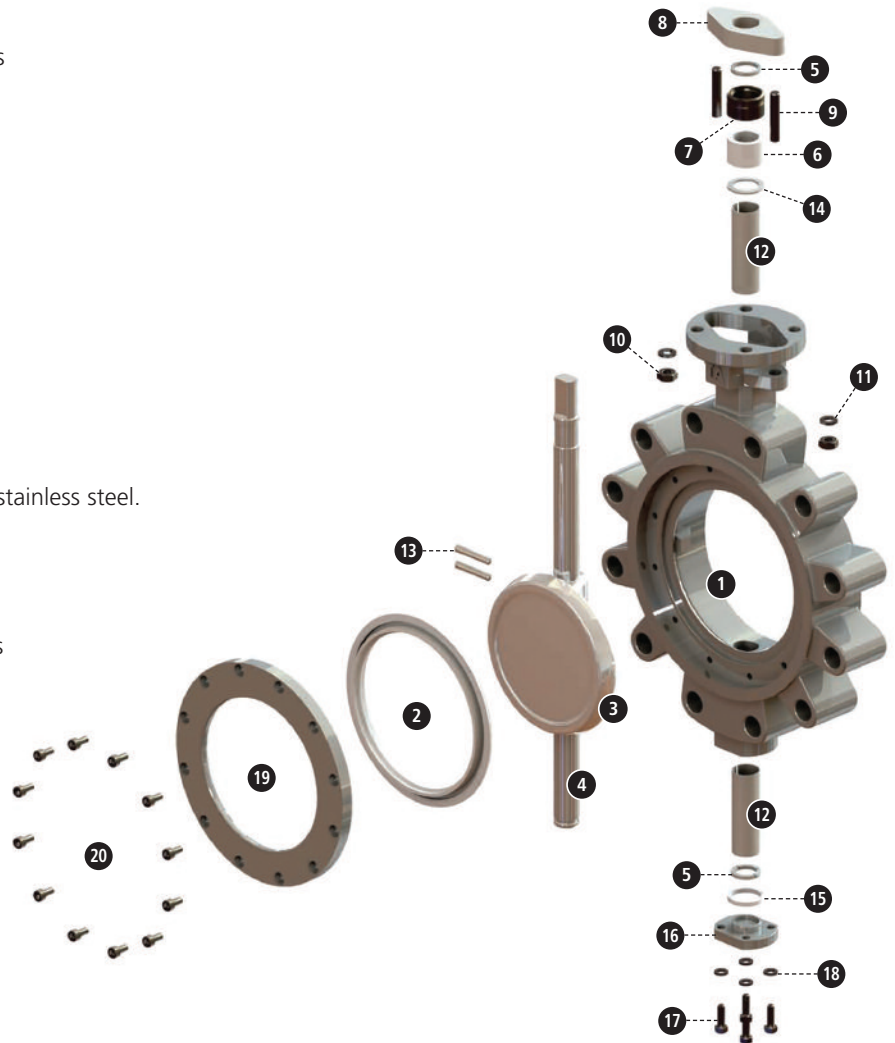
Size	Torque (in/lb) RTFE Seats			
	100 PSI	150 PSI	200 PSI	285 PSI
2"	286	312	345	371
2-1/2"	312	332	371	390
3"	325	358	390	423
4"	416	481	566	631
5"	598	715	826	943
6"	839	988	1138	1287
8"	1437	1612	1781	1957
10"	2015	2301	2587	2880
12"	2529	3166	3855	4544

## CLASS 300 MAX. OPERATING TORQUES

Size	Torque (in/lb) RTFE Seats					
	150 PSI	300 PSI	400 PSI	500 PSI	600 PSI	740 PSI
2"	312	371	403	462	481	553
2-1/2"	332	399	423	481	507	585
3"	358	423	475	540	579	657
4"	481	631	715	865	930	1118
5"	715	943	1060	1287	1404	1677
6"	1037	1300	1437	1703	1828	2152
8"	1690	1970	2106	2379	2522	2854
10"	2587	3224	3569	4199	4544	5291
12"	3679	4661	5233	6383	6962	8340

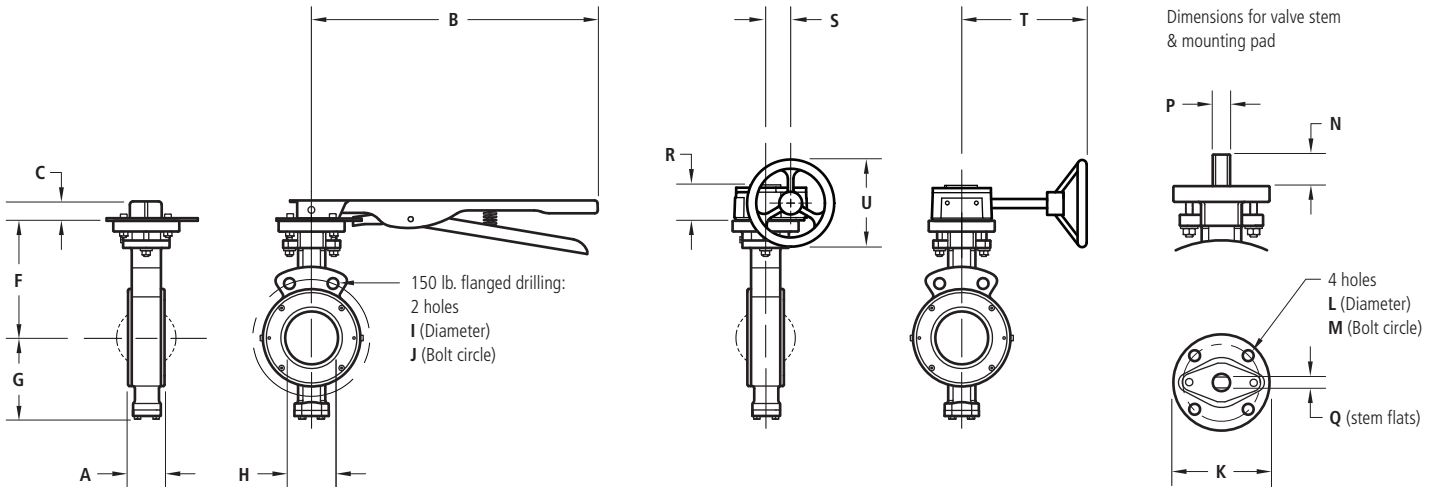
## PARTS

1. **Body:** Carbon steel (A216-WCB) or 316 stainless steel (A351-CF8M).
2. **Seat Ring:** RTFE soft seat.
3. **Disc:** 316 stainless steel (A351-CF8M) .
4. **Stem:** 17/4 PH stainless steel.
5. **Retainer Ring:** 316 stainless steel.
6. **Packing:** PTFE graphite.
7. **Packing Gland:** 316 stainless steel.
8. **Gland Flange:** 316 stainless steel (A351-CF8M).
9. **Gland Bolt:** Stainless steel.
10. **Nut:** Stainless steel.
11. **Spring Washer:** Stainless steel.
12. **Bush Bearing:** RTFE/stainless steel or graphite/stainless steel.
13. **Disc Pin:** Stainless steel.
14. **Packing Retainer:** Stainless steel.
15. **Cap Packing:** PTFE or graphite.
16. **Cap:** Carbon steel (A216-WCB) or 316 stainless steel (A351-CF8M).
17. **Cap Bolt:** Stainless steel.
18. **Spring Washer:** Stainless steel.
19. **Seat Retainer:** Carbon steel (A216-WCB) or 316 stainless steel (A351-CF8M).
20. **Retainer Bolt:** Stainless steel.



# HPW1M / HPW1G Series

150 lb. wafer style butterfly valve with latch handle (HPW1M) or gear operator (HPW1G) (Manual operation)



## DIMENSIONS, WEIGHTS & SPECIFICATIONS

Size	A	B	C	F	G	H	I	J	Wt.* (lbs.)	Model No. (HPW1M)	
										CS	316 SS
2"	1.69	8.27	1.25	4.92	3.94	1.85	.750	4.75	10.0	HHPW11RM	HHPW61RM
2-1/2"	1.85	10.24	1.25	5.87	4.02	2.40	.750	5.50	12.0	IHPW11RM	IHPW61RM
3"	1.89	10.24	1.25	6.30	4.41	2.83	.750	6.00	13.0	JHPW11RM	JHPW61RM
4"	2.13	13.13	1.25	7.01	4.88	3.74	.750	7.50	18.0	KHPW11RM	KHPW61RM
5"	2.24	13.13	1.25	7.60	5.55	4.65	.875	8.50	24.0	LHPW11RM	LHPW61RM
6"	2.24	13.13	1.25	8.39	6.57	5.43	.875	9.50	30.0	MHPW11RM	MHPW61RM

\* Weight is for valve only.

## MOUNTING DIMENSIONS & SPECIFICATIONS

Size	K	L	M	N	P	Q
2"	4.02	.43	3.25	1.25	.551	.374
2-1/2"	4.02	.43	3.25	1.25	.626	.437
3"	4.02	.43	3.25	1.25	.626	.437
4"	4.02	.43	3.25	1.25	.748	.500
5"	4.02	.43	3.25	1.25	.748	.500
6"	4.02	.43	3.25	1.25	.748	.500
8"	5.98	.55	5.00	1.25	.874	.626
10"	5.98	.55	5.00	2.05	1.126	.25 x .25 key
12"	5.98	.55	5.00	2.05	1.126	.25 x .25 key

## ADDITIONAL DIMENSIONS & SPECIFICATIONS

Size	R	S	T	U	Gear Operator	Model No. (HPW1G)	
						CS	316 SS
2"	2.31	1.75	8.60	6.00	24:1	HHPW11RG	HHPW61RG
2-1/2"	2.31	1.75	8.60	6.00	24:1	IHPW11RG	IHPW61RG
3"	2.31	1.75	8.60	6.00	24:1	JHPW11RG	JHPW61RG
4"	2.31	1.75	8.60	6.00	24:1	KHPW11RG	KHPW61RG
5"	2.31	1.75	8.60	6.00	24:1	LHPW11RG	LHPW61RG
6"	2.31	1.75	8.60	6.00	24:1	MHPW11RG	MHPW61RG
8"	3.00	2.81	11.19	12.38	30:1	NHPW11RG	NHPW61RG
10"	3.00	2.81	11.19	12.38	30:1	OHPW11RG	OHPW61RG
12"	3.00	2.81	11.19	12.38	30:1	PHPW11RG	PHPW61RG

## HPW1 VALVE FEATURES

- Wafer style, ANSI Class 150, high performance butterfly valve.
- Carbon steel or 316 stainless steel body.
- 316 stainless steel disc and 17/4PH stem.
- RTFE seat.
- Pressure range: 285 PSI.

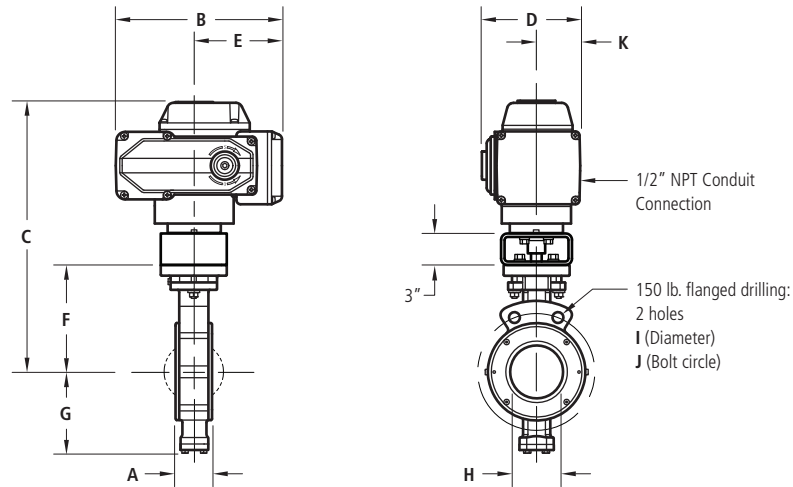
## LEVER HANDLE FEATURES

- 10 position latch plate.

# HPW1K4 Series

## 150 lb. wafer style butterfly valve with electric actuator

(Actuators are sized for 150 PSI liquid media line pressure, contact factory for higher line pressure ratings)



### DIMENSIONS, WEIGHTS & SPECIFICATIONS

Size	A	B	C	D	E	F	G	H	I	J	K	Actuator	Wt. (lbs.)	Model No.	
														CS	316 SS
2"	1.69	8.17	14.36	4.82	4.33	4.92	3.94	1.85	.750	4.75	2.15	UNIC10	25.0	HHPW11RK4	HHPW61RK4
2-1/2"	1.85	8.17	15.31	4.82	4.33	5.87	4.02	2.40	.750	5.50	2.15	UNIC10	27.0	IHPW11RK4	IHPW61RK4
3"	1.89	8.17	15.74	4.82	4.33	6.30	4.41	2.83	.750	6.00	2.15	UNIC10	28.0	JHPW11RK4	JHPW61RK4
4"	2.13	8.17	16.45	4.82	4.33	7.01	4.88	3.74	.750	7.50	2.15	UNIC10	33.0	KHPW11RK4	KHPW61RK4
5"	2.24	8.17	17.04	4.82	4.33	7.60	5.55	4.65	.875	8.50	2.15	UNIC10	39.0	LHPW11RK4	LHPW61RK4
6"	2.24	10.10	18.67	6.16	5.25	8.39	6.57	5.43	.875	9.50	2.45	UNIC20	51.5	MHPW11RK4	MHPW61RK4
8"	2.52	10.10	19.73	6.16	5.25	9.45	7.68	7.40	.875	11.75	2.45	UNIC20	68.5	NHPW11RK4	NHPW61RK4
10"	2.83	15.00	23.24	9.53	7.85	11.03	8.66	9.25	1.00	14.25	4.13	UNIC60	123.2	OHPW11RK4	OHPW61RK4
12"	3.19	15.00	24.41	9.53	7.85	12.20	10.43	10.83	1.00	17.00	4.13	UNIC60	148.2	PHPW11RK4	PHPW61RK4

### HPW1 VALVE FEATURES

- Wafer style, ANSI Class 150, high performance butterfly valve.
- Carbon steel or 316 stainless steel body.
- 316 stainless steel disc and 17/4PH stem.
- RTFE seat.
- Pressure range: 285 PSI.

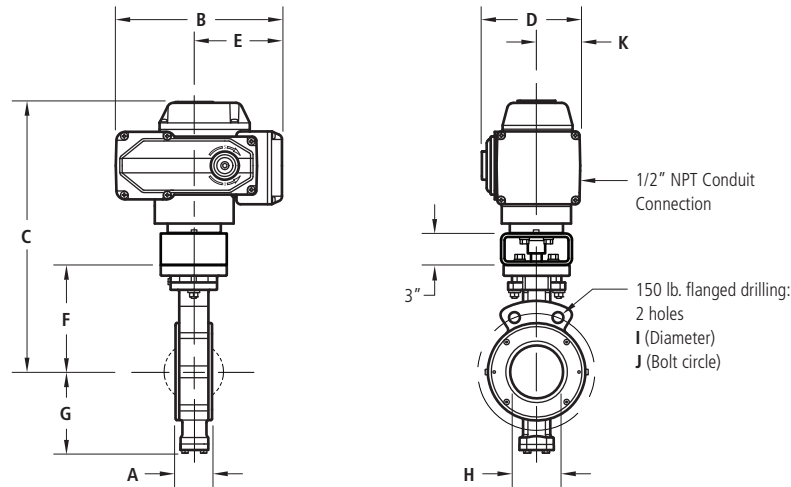
### ELECTRIC ACTUATOR FEATURES

- K Series electric actuator.
- Actuator speed: 25 sec.
- Most voltages available.
- Quarter turn: 0-90° rotation.
- NEMA 4/4X certified by UL labs.
- ISO 5211 mounting standard.
- Visual position indicator.
- Self-locking drive train.
- Mounts in any direction.
- 1/2" NPT conduit connection.
- CSA-NRTL/C and CE certified.
- Temperature range: 0°F to 160°F.

# HPW1K4-EP420 Series

## 150 lb. wafer style butterfly valve with electric actuator

(Actuators are sized for 150 PSI liquid media line pressure, contact factory for higher line pressure ratings)



### DIMENSIONS, WEIGHTS & SPECIFICATIONS

Size	A	B	C	D	E	F	G	H	I	J	K	Actuator	Wt. (lbs.)	Model No.	
														CS	316 SS
2"	1.69	8.17	14.36	4.82	4.33	4.92	3.94	1.85	.750	4.75	2.15	NUCOM-10NS/15	25.0	HHPW11RK4-EP420	HHPW61RK4-EP420
2-1/2"	1.85	8.17	15.31	4.82	4.33	5.87	4.02	2.40	.750	5.50	2.15	NUCOM-10NS/15	27.0	IHPW11RK4-EP420	IHPW61RK4-EP420
3"	1.89	8.17	15.74	4.82	4.33	6.30	4.41	2.83	.750	6.00	2.15	NUCOM-10NS/30	28.0	JHPW11RK4-EP420	JHPW61RK4-EP420
4"	2.13	8.17	16.45	4.82	4.33	7.01	4.88	3.74	.750	7.50	2.15	NUCOM-10NS/30	33.0	KHPW11RK4-EP420	KHPW61RK4-EP420
5"	2.24	10.10	17.15	6.16	5.25	7.60	5.55	4.65	.875	8.50	2.46	NUCOM-10NM/15	47.0	LHPW11RK4-EP420	LHPW61RK4-EP420
6"	2.24	10.10	17.94	6.16	5.25	8.39	6.57	5.43	.875	9.50	2.46	NUCOM-10NM/15	53.0	MHPW11RK4-EP420	MHPW61RK4-EP420
8"	2.52	10.10	19.00	6.16	5.25	9.45	7.68	7.40	.875	11.75	2.46	NUCOM-10NM/15	70.0	NHPW11RK4-EP420	NHPW61RK4-EP420
10"	2.83	15.00	20.76	9.53	7.85	11.03	8.66	9.25	1.00	14.25	4.13	NUCOM-10NL/15	121.0	OHPW11RK4-EP420	OHPW61RK4-EP420
12"	3.19	15.00	21.93	9.53	7.85	12.20	10.43	10.83	1.00	17.00	4.13	NUCOM-10NL/15	146.0	PHPW11RK4-EP420	PHPW61RK4-EP420

### HPW1 VALVE FEATURES

- Wafer style, ANSI Class 150, high performance butterfly valve.
- Carbon steel or 316 stainless steel body.
- 316 stainless steel disc and 17/4PH stem.
- RTFE seat.
- Pressure range: 285 PSI.

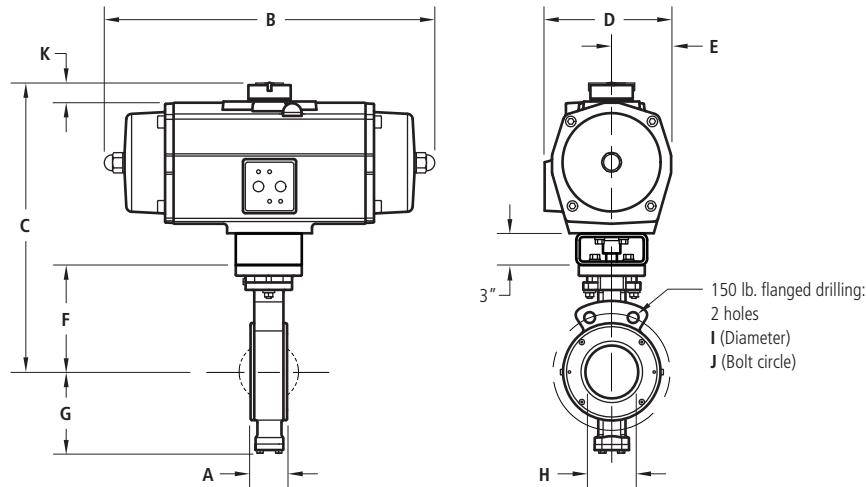
### ELECTRIC ACTUATOR FEATURES

- K Series electric actuator.
- Actuator speed: 25 sec.
- Most voltages available.
- Quarter turn: 0-90° rotation.
- NEMA 4/4X certified by UL labs.
- ISO 5211 mounting standard.
- Visual position indicator.
- Self-locking drive train.
- Mounts in any direction.
- 1/2" NPT conduit connection.
- CSA-NRTL/C and CE certified.
- Temperature range: 0°F to 160°F.

# HPW1ESR Series

150 lb. wafer style butterfly valve with spring return pneumatic actuator

(Actuators are sized for 150 PSI liquid media line pressure, contact factory for higher line pressure ratings)



## DIMENSIONS, WEIGHTS & SPECIFICATIONS

Size	A	B	C	D	E	F	G	H	I	J	K	Actuator	Wt. (lbs.)	Model No.	
														CS	316 SS
<b>80 psig Minimum Actuator Air Supply = 85</b>															
2"	1.69	14.17	14.34	5.39	2.52	4.92	3.94	1.85	.750	4.75	.79	ES200-5	35.1	HHPW11RE8S	HHPW61RE8S
2-1/2"	1.85	14.17	15.29	5.39	2.52	5.87	4.02	2.40	.750	5.50	.79	ES200-5	37.1	IHPW11RE8S	IHPW61RE8S
3"	1.89	14.17	15.72	5.39	2.52	6.30	4.41	2.83	.750	6.00	.79	ES200-5	38.1	JHPW11RE8S	JHPW61RE8S
4"	2.13	14.17	16.43	5.39	2.52	7.01	4.88	3.74	.750	7.50	.79	ES200-5	43.0	KHPW11RE8S	KHPW61RE8S
5"	2.24	15.24	18.52	7.12	3.41	7.60	5.55	4.65	.875	8.50	.79	ES350-5	66.3	LHPW11RE8S	LHPW61RE8S
6"	2.24	15.24	19.31	7.12	3.41	8.39	6.57	5.43	.875	9.50	.79	ES350-5	72.3	MHPW11RE8S	MHPW61RE8S
8"	2.52	18.78	22.29	8.52	4.08	9.45	7.68	7.40	.875	11.75	.79	ES600-5	112.8	NHPW11RE8S	NHPW61RE8S
10"	2.83	20.35	25.41	9.51	4.54	11.03	8.86	9.25	1.00	14.25	1.18	ES950-5	162.1	OHPW11RE8S	OHPW61RE8S
12"	3.19	20.35	26.58	9.51	4.54	12.20	10.43	10.83	1.00	17.00	1.18	ES950-5	187.1	PHPW11RE8S	PHPW61RE8S
<b>60 psig Minimum Actuator Air Supply = 65</b>															
2"	1.69	14.17	14.34	5.39	2.52	4.92	3.94	1.85	.750	4.75	.79	ES200-4	35.1	HHPW11RE6S	HHPW61RE6S
2-1/2"	1.85	14.17	15.29	5.39	2.52	5.87	4.02	2.40	.750	5.50	.79	ES200-4	37.1	IHPW11RE6S	IHPW61RE6S
3"	1.89	14.17	15.72	5.39	2.52	6.30	4.41	2.83	.750	6.00	.79	ES200-4	38.1	JHPW11RE6S	JHPW61RE6S
4"	2.13	15.24	16.43	7.12	3.41	7.01	4.88	3.74	.750	7.50	.79	ES350-4	60.3	KHPW11RE6S	KHPW61RE6S
5"	2.24	15.24	18.52	7.12	3.41	7.60	5.55	4.65	.875	8.50	.79	ES350-4	66.3	LHPW11RE6S	LHPW61RE6S
6"	2.24	15.24	19.31	7.12	3.41	8.39	6.57	5.43	.875	9.50	.79	ES350-4	72.3	MHPW11RE6S	MHPW61RE6S
8"	2.52	18.78	22.29	8.52	4.08	9.45	7.68	7.40	.875	11.75	.79	ES600-4	112.8	NHPW11RE6S	NHPW61RE6S
10"	2.83	20.35	25.41	9.51	4.54	11.03	8.86	9.25	1.00	14.25	1.18	ES950-4	162.1	OHPW11RE6S	OHPW61RE6S
12"	3.19	25.08	26.58	10.81	5.21	12.20	10.43	10.83	1.00	17.00	1.18	ES1600-4	247.1	PHPW11RE6S	PHPW61RE6S

### HPW1 VALVE FEATURES

- Wafer style, ANSI Class 150, high performance butterfly valve.
- Carbon steel or 316 stainless steel body.
- 316 stainless steel disc and 17/4PH stem.
- RTFE seat.
- Pressure range: 285 PSI.

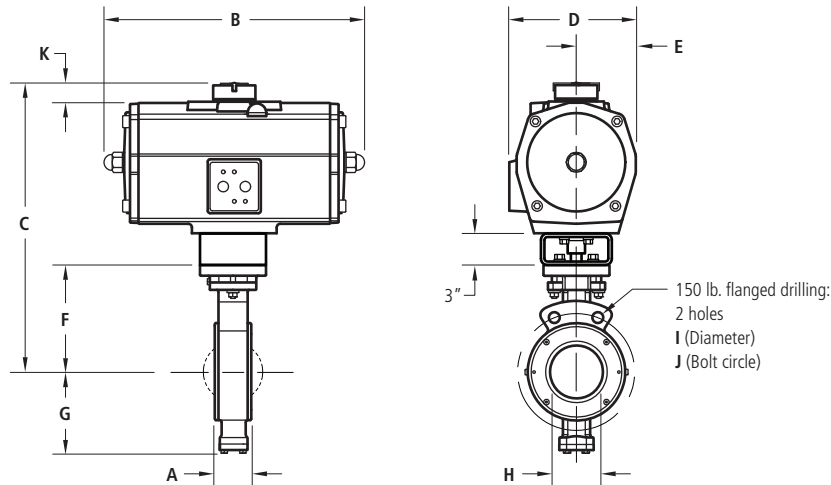
### PNEUMATIC ACTUATOR FEATURES

- E Series spring return rack and pinion actuator.
- Corrosion resistant coating.
- NAMUR solenoid mounting pad, ISO 5211 mounting standard.
- Visual position indicator.
- High duty cycle, permanent lubrication.
- Temperature range: -4°F to 175°F.

# HPW1EDA Series

## 150 lb. wafer style butterfly valve with double acting pneumatic actuator

(Actuators are sized for 150 PSI liquid media line pressure, contact factory for higher line pressure ratings)



### DIMENSIONS, WEIGHTS & SPECIFICATIONS

Size	A	B	C	D	E	F	G	H	I	J	K	Actuator	Wt. (lbs.)	Model No.	
														CS	316 SS
<b>80 psig Minimum Actuator Air Supply = 8D</b>															
2"	1.69	7.09	12.37	3.78	1.70	4.92	3.94	1.85	.750	4.75	.79	ED40	19.0	HHPW11RE8D	HHPW61RE8D
2-1/2"	1.85	7.09	13.32	3.78	1.70	5.87	4.02	2.40	.750	5.50	.79	ED40	21.0	IHPW11RE8D	IHPW61RE8D
3"	1.89	7.83	14.22	4.19	1.93	6.30	4.41	2.83	.750	6.00	.79	ED65	23.3	JHPW11RE8D	JHPW61RE8D
4"	2.13	7.83	14.93	4.19	1.93	7.01	4.88	3.74	.750	7.50	.79	ED65	28.8	KHPW11RE8D	KHPW61RE8D
5"	2.24	8.70	16.04	4.60	2.12	7.60	5.55	4.65	.875	8.50	.79	ED100	35.8	LHPW11RE8D	LHPW61RE8D
6"	2.24	11.14	17.81	5.39	2.52	8.39	6.57	5.43	.875	9.50	.79	ED200	47.8	MHPW11RE8D	MHPW61RE8D
8"	2.52	11.14	18.87	5.39	2.52	9.45	7.68	7.40	.875	11.75	.79	ED200	64.8	NHPW11RE8D	NHPW61RE8D
10"	2.83	12.01	21.95	7.12	3.41	11.03	8.66	9.25	1.00	14.25	.79	ED350	99.9	OHPW11RE8D	OHPW61RE8D
12"	3.19	12.01	23.12	7.12	3.41	12.20	10.43	10.83	1.00	17.00	.79	ED350	124.9	PHPW11RE8D	PHPW61RE8D
<b>60 psig Minimum Actuator Air Supply = 6D</b>															
2"	1.69	7.83	12.84	4.19	1.93	4.92	3.94	1.85	.750	4.75	.79	ED65	20.3	HHPW11RE6D	HHPW61RE6D
2-1/2"	1.85	7.83	13.79	4.19	1.93	5.87	4.02	2.40	.750	5.50	.79	ED65	22.3	IHPW11RE6D	IHPW61RE6D
3"	1.89	7.83	14.22	4.19	1.93	6.30	4.41	2.83	.750	6.00	.79	ED65	23.3	JHPW11RE6D	JHPW61RE6D
4"	2.13	8.70	15.45	4.60	2.12	7.01	4.88	3.74	.750	7.50	.79	ED100	29.8	KHPW11RE6D	KHPW61RE6D
5"	2.24	11.14	17.02	5.39	2.52	7.60	5.55	4.65	.875	8.50	.79	ED200	41.8	LHPW11RE6D	LHPW61RE6D
6"	2.24	11.14	17.81	5.39	2.52	8.39	6.57	5.43	.875	9.50	.79	ED200	47.8	MHPW11RE6D	MHPW61RE6D
8"	2.52	12.01	20.37	7.12	3.41	9.45	7.68	7.40	.875	11.75	.79	ED350	74.9	NHPW11RE6D	NHPW61RE6D
10"	2.83	12.01	21.95	7.12	3.41	11.03	8.66	9.25	1.00	14.25	.79	ED350	99.9	OHPW11RE6D	OHPW61RE6D
12"	3.19	15.24	25.04	8.52	4.08	12.20	10.43	10.83	1.00	17.00	1.18	ED600	144.8	PHPW11RE6D	PHPW61RE6D

### HPW1 VALVE FEATURES

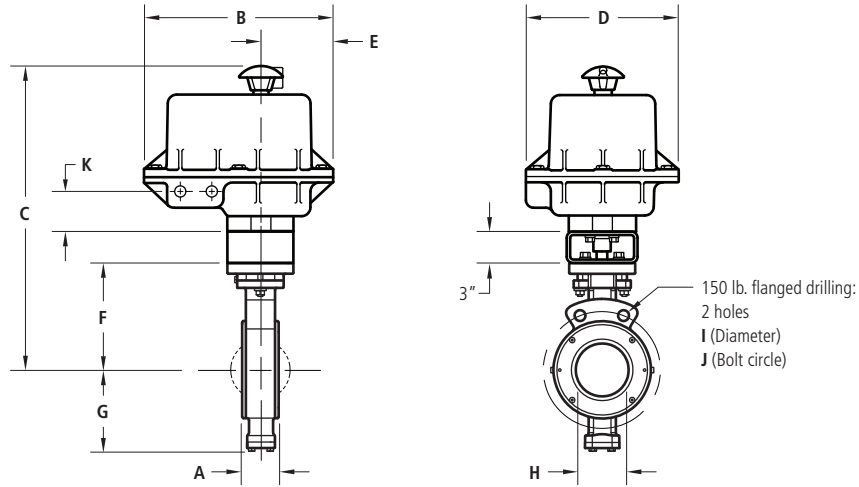
- Wafer style, ANSI Class 150, high performance butterfly valve.
- Carbon steel or 316 stainless steel body.
- 316 stainless steel disc and 17/4PH stem.
- RTFE seat.
- Pressure range: 285 PSI.

### PNEUMATIC ACTUATOR FEATURES

- E Series double acting rack and pinion actuator.
- Corrosion resistant coating.
- NAMUR solenoid mounting pad, ISO 5211 mounting standard.
- Visual position indicator.
- High duty cycle, permanent lubrication.
- Temperature range: -4°F to 175°F.

# HPW1B7 Series 2" to 5" Sizes

150 lb. wafer style butterfly valve with explosion proof electric actuator, NEMA 7, 120 VAC  
(Actuators are sized for 150 PSI liquid media line pressure, contact factory for higher line pressure ratings)



## DIMENSIONS, WEIGHTS & SPECIFICATIONS

Size	A	B	C	D	E	F	G	H	I	J	K	Actuator	Wt. (lbs.)	Model No.	
														CS	316 SS
2"	1.69	9.75	17.36	7.75	3.75	4.92	3.94	1.85	.750	4.75	2.44	BEEM510F	33.0	HHPW11RSB7	HHPW61RSB7
2-1/2"	1.85	9.75	18.31	7.75	3.75	5.87	4.02	2.40	.750	5.50	2.44	BEEM510F	35.0	IHPW11RSB7	IHPW61RSB7
3"	1.89	9.75	18.74	7.75	3.75	6.30	4.41	2.83	.750	6.00	2.44	BEEM510F	36.0	JHPW11RSB7	JHPW61RSB7
4"	2.13	9.75	19.45	7.75	3.75	7.01	4.88	3.74	.750	7.50	2.44	BEEM510F	41.0	KHPW11RSB7	KHPW61RSB7
5"	2.24	9.75	20.04	7.75	3.75	7.60	5.55	4.65	.875	8.50	2.44	BEEM510F	47.0	LHPW11RSB7	LHPW61RSB7

### HPW1 VALVE FEATURES

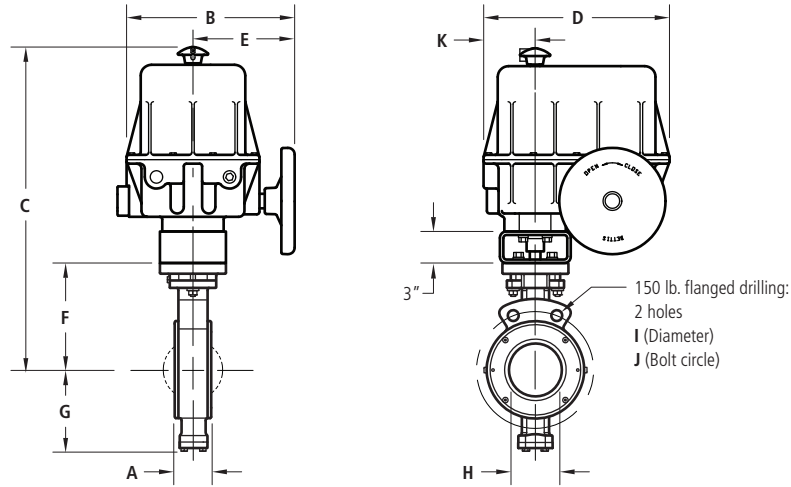
- Wafer style, ANSI Class 150, high performance butterfly valve.
- Carbon steel or 316 stainless steel body.
- 316 stainless steel disc and 17/4PH stem.
- RTFE seat.
- Pressure range: 285 PSI.

### ELECTRIC ACTUATOR FEATURES

- B7 Series electric actuator.
- Actuator speed: 15 sec.
- NEMA 4, 4x, 7 and 9; CSA approved.
- Weatherproof.
- Class I Groups C and D, Div. 1.
- Class II Groups E, F and G.
- (2) 1/2" NPT conduit entries.
- Manual override.
- Visual position indicator.
- CSA certified.
- Temperature range: 0°F to 160°F.

# HPW1B7 Series 6" to 12" Sizes

150 lb. wafer style butterfly valve with explosion proof electric actuator, NEMA 7, 120 VAC  
(Actuators are sized for 150 PSI liquid media line pressure, contact factory for higher line pressure ratings)



## DIMENSIONS, WEIGHTS & SPECIFICATIONS

Size	A	B	C	D	E	F	G	H	I	J	K	Actuator	Wt. (lbs.)	Model No.	
														CS	316 SS
6"	2.24	13.31	26.77	7.75	7.62	8.39	6.57	5.43	.875	9.50	3.88	BEEM82018C	195.0	MHPW11RSB7	MHPW61RSB7
8"	2.52	13.31	27.83	14.00	7.62	9.45	7.68	7.40	.875	11.75	3.88	BEEM82018C	212.0	NHPW11RSB7	NHPW61RSB7
10"	2.83	13.31	29.41	14.00	7.62	11.03	8.66	9.25	1.00	14.25	3.88	BEEM82018C	237.0	OHPW11RSB7	OHPW61RSB7
12"	3.19	13.31	30.53	14.00	7.62	12.20	10.43	10.83	1.00	17.00	3.88	BEEM82018C	262.0	PHPW11RSB7	PHPW61RSB7

### HPW1 VALVE FEATURES

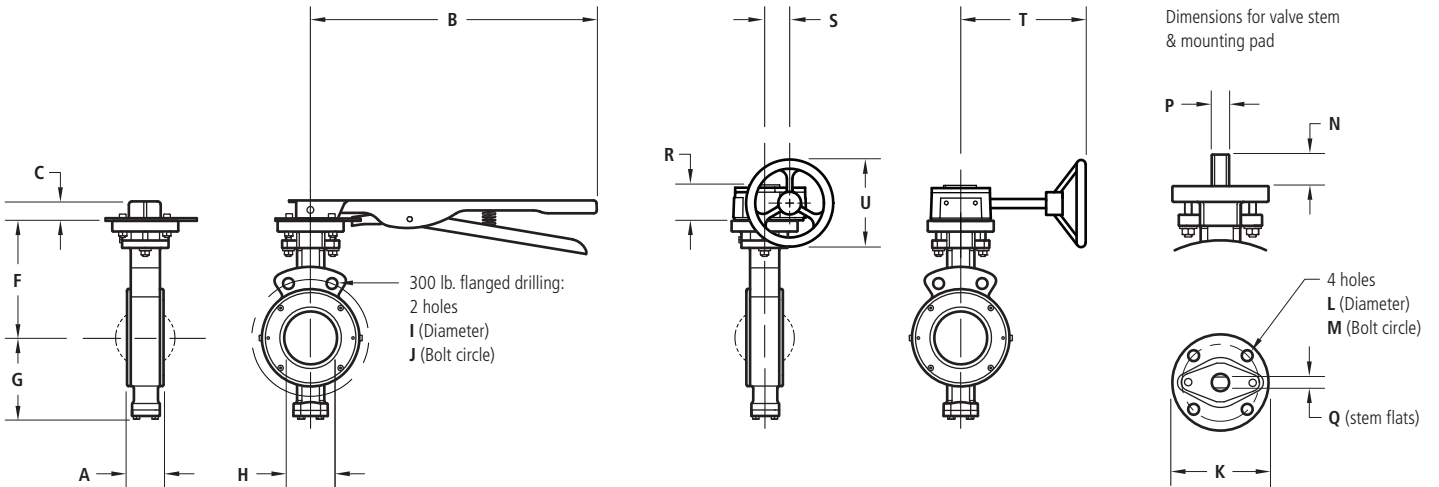
- Wafer style, ANSI Class 150, high performance butterfly valve.
- Carbon steel or 316 stainless steel body.
- 316 stainless steel disc and 17/4PH stem.
- RTFE seat.
- Pressure range: 285 PSI.

### ELECTRIC ACTUATOR FEATURES

- B7 Series electric actuator.
- Actuator speed: 18 sec.
- NEMA 4, 7 and 9; CSA approved.
- Weatherproof.
- Class I Groups C and D, Div. 1.
- Class II Groups E, F and G.
- (2) 1/2" NPT conduit entries.
- Manual override.
- Visual position indicator.
- CSA certified.
- Temperature range: 0°F to 160°F.

# HPW3M / HPW3G Series

300 lb. wafer style butterfly valve with latch handle (HPW3M) or gear operator (HPW3G) (Manual operation)



## DIMENSIONS, WEIGHTS & SPECIFICATIONS

Size	A	B	C	F	G	H	I	J	Wt.* (lbs.)	Model No. (HPW3M)	
										CS	316 SS
2"	1.69	8.27	1.25	4.92	3.94	1.85	(2) 5/8"-11	5.00	12.0	HHPW13RM	HHPW63RM
2-1/2"	1.85	10.24	1.25	5.87	4.02	2.36	(2) 3/4"-10	5.88	16.0	IHPW13RM	IHPW63RM
3"	1.89	10.24	1.25	6.30	4.41	2.87	(2) 3/4"-10	6.62	19.0	JHPW13RM	JHPW63RM
4"	2.13	13.13	1.25	7.01	4.88	3.74	(2) 3/4"-10	7.88	27.0	KHPW13RM	KHPW63RM
5"	2.25	13.13	1.25	7.60	5.55	4.69	(2) 3/4"-10	9.25	36.0	LHPW13RM	LHPW63RM
6"	2.32	13.13	1.25	8.66	6.93	5.47	(2) 3/4"-10	10.62	52.0	MHPW13RM	MHPW63RM

\* Weight is for valve only.

## MOUNTING DIMENSIONS & SPECIFICATIONS

Size	K	L	M	N	P	Q
2"	4.02	.43	3.25	1.26	.551	.374
2-1/2"	4.02	.43	3.25	1.26	.626	.437
3"	4.02	.43	3.25	1.26	.626	.437
4"	4.02	.43	3.25	1.26	.748	.500
5"	4.02	.43	3.25	1.26	.748	.500
6"	4.02	.43	3.25	1.26	.748	.500
8"	5.98	.55	5.00	2.01	1.126	.25 x .25 key
10"	5.98	.55	5.00	2.01	1.126	.25 x .25 key
12"	5.98	.55	5.00	2.01	1.374	.31 x .31 key

## ADDITIONAL DIMENSIONS & SPECIFICATIONS

Size	R	S	T	U	Gear Operator	Model No. (HPW3G)	
						CS	316 SS
2"	2.31	1.75	8.60	6.00	24:1	HHPW13RG	HHPW63RG
2-1/2"	2.31	1.75	8.60	6.00	24:1	IHPW13RG	IHPW63RG
3"	2.31	1.75	8.60	6.00	24:1	JHPW13RG	JHPW63RG
4"	2.31	1.75	8.60	6.00	24:1	KHPW13RG	KHPW63RG
5"	2.31	1.75	8.60	6.00	24:1	LHPW13RG	LHPW63RG
6"	2.31	1.75	8.60	6.00	24:1	MHPW13RG	MHPW63RG
8"	3.00	2.81	11.19	12.38	30:1	NHPW13RG	NHPW63RG
10"	3.00	2.81	11.19	12.38	30:1	OHPW13RG	OHPW63RG
12"	3.00	2.81	11.19	12.38	30:1	PHPW13RG	PHPW63RG

## HPW3 VALVE FEATURES

- Wafer style, ANSI Class 300, high performance butterfly valve.
- Carbon steel or 316 stainless steel body.
- 316 stainless steel disc and 17/4PH stem.
- RTFE seat.
- Pressure range: 740 PSI.

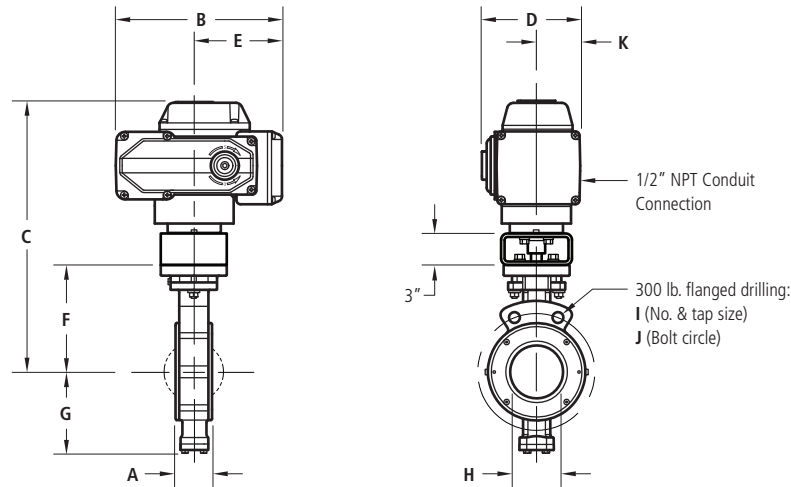
## LEVER HANDLE FEATURES

- 10 position latch plate.

# HPW3K4 Series

## 300 lb. wafer style butterfly valve with electric actuator

(Actuators are sized for 300 PSI liquid media line pressure, contact factory for higher line pressure ratings)



### DIMENSIONS, WEIGHTS & SPECIFICATIONS

Size	A	B	C	D	E	F	G	H	I	J	K	Actuator	Wt. (lbs.)	Model No.	
														CS	316 SS
2"	1.69	8.17	14.36	4.82	4.33	4.92	3.94	1.85	(2) 5/8"-11	5.00	2.15	UNIC10	27.0	HHPW13RK4	HHPW63RK4
2-1/2"	1.85	8.17	15.31	4.82	4.33	5.87	4.02	2.36	(2) 3/4"-10	5.88	2.15	UNIC10	31.0	IHPW13RK4	IHPW63RK4
3"	1.89	8.17	15.74	4.82	4.33	6.30	4.41	2.87	(2) 3/4"-10	6.62	2.15	UNIC10	34.0	JHPW13RK4	JHPW63RK4
4"	2.13	10.10	17.29	6.16	5.25	7.01	4.88	3.74	(2) 3/4"-10	7.88	2.46	UNIC20	48.5	KHPW13RK4	KHPW63RK4
5"	2.25	10.10	17.88	6.16	5.25	7.60	5.55	4.69	(2) 3/4"-10	9.25	2.46	UNIC20	57.5	LHPW13RK4	LHPW63RK4
6"	2.32	10.10	18.94	6.16	5.25	8.66	6.93	5.47	(2) 3/4"-10	10.62	2.46	UNIC20	73.5	MHPW13RK4	MHPW63RK4
8"	2.88	15.00	22.45	9.53	7.85	10.24	8.46	7.36	(2) 7/8"-9	13.00	4.13	UNIC60	131.2	NHPW13RK4	NHPW63RK4
10"	3.27	15.00	23.63	9.53	7.85	11.42	9.53	9.21	(4) 1"-8	15.25	4.13	UNIC60	151.2	OHPW13RK4	OHPW63RK4
12"	3.62	15.00	25.01	9.53	7.85	12.80	10.75	10.83	(4) 1-1/8"-8	17.75	4.13	UNIC100	172.7	PHPW13RK4	PHPW63RK4

### HPW3 VALVE FEATURES

- Wafer style, ANSI Class 300, high performance butterfly valve.
- Carbon steel or 316 stainless steel body.
- 316 stainless steel disc and 17/4PH stem.
- RTFE seat.
- Pressure range: 740 PSI.

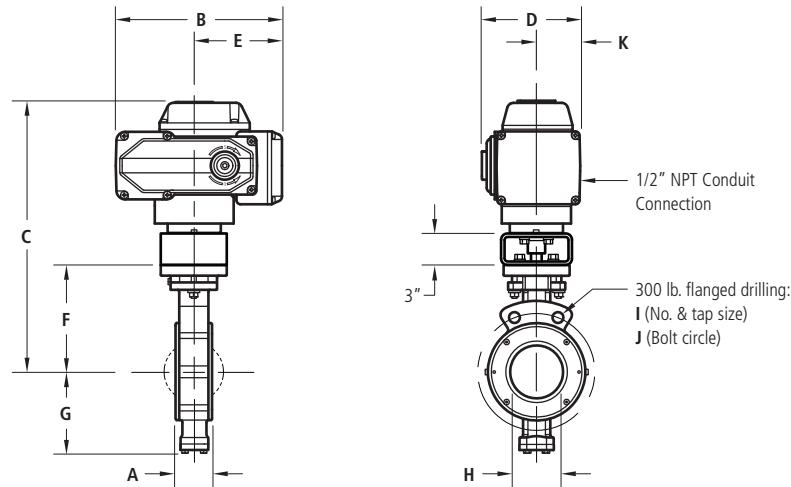
### ELECTRIC ACTUATOR FEATURES

- K Series electric actuator.
- Actuator speed: 25 sec.
- Most voltages available.
- Quarter turn: 0-90° rotation.
- NEMA 4/4X certified by UL labs.
- ISO 5211 mounting standard.
- Visual position indicator.
- Self-locking drive train.
- Mounts in any direction.
- 1/2" NPT conduit connection.
- CSA-NRTL/C and CE certified.
- Temperature range: 0°F to 160°F.

# HPW3K4-EP420 Series

## 300 lb. wafer style butterfly valve with electric actuator

(Actuators are sized for 300 PSI liquid media line pressure, contact factory for higher line pressure ratings)



### DIMENSIONS, WEIGHTS & SPECIFICATIONS

Size	A	B	C	D	E	F	G	H	I	J	K	Actuator	Wt. (lbs.)	Model No.	
														CS	316 SS
2"	1.69	10.10	14.47	6.16	5.25	4.92	3.94	1.85	(2) 5/8"-11	5.00	2.46	NUCOM-10NM/15	35.0	HHPW13RK4-EP420	HHPW63RK4-EP420
2-1/2"	1.85	10.10	15.42	6.16	5.25	5.87	4.02	2.36	(2) 3/4"-10	5.88	2.46	NUCOM-10NM/15	39.0	IHPW13RK4-EP420	IHPW63RK4-EP420
3"	1.89	10.10	15.85	6.16	5.25	6.30	4.41	2.87	(2) 3/4"-10	6.62	2.46	NUCOM-10NM/15	42.0	JHPW13RK4-EP420	JHPW63RK4-EP420
4"	2.13	10.10	16.56	6.16	5.25	7.01	4.88	3.74	(2) 3/4"-10	7.88	2.46	NUCOM-10NM/15	50.0	KHPW13RK4-EP420	KHPW63RK4-EP420
5"	2.25	10.10	17.15	6.16	5.25	7.60	5.55	4.69	(2) 3/4"-10	9.25	2.46	NUCOM-10NM/15	59.0	LHPW13RK4-EP420	LHPW63RK4-EP420
6"	2.32	10.10	18.21	6.16	5.25	8.66	6.93	5.47	(2) 3/4"-10	10.62	2.46	NUCOM-10NM/15	75.0	MHPW13RK4-EP420	MHPW63RK4-EP420
8"	2.88	15.00	19.97	9.53	7.85	10.24	8.46	7.36	(2) 7/8"-9	13.00	4.13	NUCOM-10NL/15	129.0	NHPW13RK4-EP420	NHPW63RK4-EP420
10"	3.27	15.00	21.15	9.53	7.85	11.42	9.53	9.21	(4) 1"-8	15.25	4.13	NUCOM-10NL/15	149.0	OHPW13RK4-EP420	OHPW63RK4-EP420
12"	3.62	15.00	22.53	9.53	7.85	12.80	10.75	10.83	(4) 1-1/8"-8	17.75	4.13	NUCOM-10NL/100	169.0	PHPW13RK4-EP420	PHPW63RK4-EP420

### HPW3 VALVE FEATURES

- Wafer style, ANSI Class 300, high performance butterfly valve.
- Carbon steel or 316 stainless steel body.
- 316 stainless steel disc and 17/4PH stem.
- RTFE seat.
- Pressure range: 740 PSI.

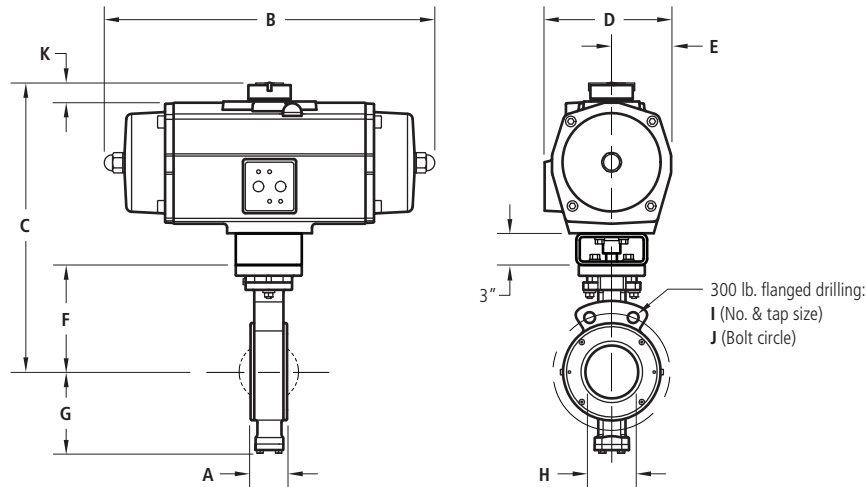
### ELECTRIC ACTUATOR FEATURES

- K Series electric actuator.
- Actuator speed: 25 sec.
- Most voltages available.
- Quarter turn: 0-90° rotation.
- NEMA 4/4X certified by UL labs.
- ISO 5211 mounting standard.
- Visual position indicator.
- Self-locking drive train.
- Mounts in any direction.
- 1/2" NPT conduit connection.
- CSA-NRTL/C and CE certified.
- Temperature range: 0°F to 160°F.

# HPW3ESR Series

## 300 lb. wafer style butterfly valve with spring return pneumatic actuator

(Actuators are sized for 300 PSI liquid media line pressure, contact factory for higher line pressure ratings)



### DIMENSIONS, WEIGHTS & SPECIFICATIONS

Size	A	B	C	D	E	F	G	H	I	J	K	Actuator	Wt. (lbs.)	Model No.	
														CS	316 SS
<b>80 psig Minimum Actuator Air Supply = 85</b>															
2"	1.69	14.17	14.34	5.39	2.52	4.92	3.94	1.85	(2) 5/8"-11	5.00	.79	ES200-5	37.1	HHPW13RE8S	HHPW63RE8S
2-1/2"	1.85	14.17	15.29	5.39	2.52	5.87	4.02	2.36	(2) 3/4"-10	5.88	.79	ES200-5	41.1	IHPW13RE8S	IHPW63RE8S
3"	1.89	14.17	15.72	5.39	2.52	6.30	4.41	2.87	(2) 3/4"-10	6.62	.79	ES200-5	44.1	JHPW13RE8S	JHPW63RE8S
4"	2.13	15.24	17.93	7.12	3.41	7.01	4.88	3.74	(2) 3/4"-10	7.88	.79	ES350-5	69.3	KHPW13RE8S	KHPW63RE8S
5"	2.25	15.24	18.52	7.12	3.41	7.60	5.55	4.69	(2) 3/4"-10	9.25	.79	ES350-5	78.3	LHPW13RE8S	LHPW63RE8S
6"	2.32	18.78	21.50	8.52	4.08	8.66	6.93	5.47	(2) 3/4"-10	10.62	1.18	ES600-5	117.8	MHPW13RE8S	MHPW63RE8S
8"	2.88	20.35	24.62	9.51	4.54	10.24	8.46	7.36	(2) 7/8"-9	13.00	1.18	ES950-5	170.1	NHPW13RE8S	NHPW63RE8S
10"	3.27	25.08	27.29	10.81	5.21	11.42	9.53	9.21	(4) 1"-8	15.25	1.18	ES1600-5	250.1	OHPW13RE8S	OHPW63RE8S
12"	3.62	22.44	31.00	14.17	6.89	12.80	10.75	10.83	(4) 1-1/8"-8	17.75	1.18	PS2500-5	319.0	PHPW13RE8S	PHPW63RE8S
<b>60 psig Minimum Actuator Air Supply = 65</b>															
2"	1.69	14.17	14.34	5.39	2.52	4.92	3.94	1.85	(2) 5/8"-11	5.00	.79	ES200-4	37.1	HHPW13RE6S	HHPW63RE6S
2-1/2"	1.85	14.17	15.29	5.39	2.52	5.87	4.02	2.36	(2) 3/4"-10	5.88	.79	ES200-4	41.1	IHPW13RE6S	IHPW63RE6S
3"	1.89	15.24	17.22	7.12	3.41	6.30	4.41	2.87	(2) 3/4"-10	6.62	.79	ES350-4	61.3	JHPW13RE6S	JHPW63RE6S
4"	2.13	15.24	17.93	7.12	3.41	7.01	4.88	3.74	(2) 3/4"-10	7.88	.79	ES350-4	69.3	KHPW13RE6S	KHPW63RE6S
5"	2.25	18.78	20.44	8.52	4.08	7.60	5.55	4.69	(2) 3/4"-10	9.25	1.18	ES600-4	101.8	LHPW13RE6S	LHPW63RE6S
6"	2.32	18.78	21.50	8.52	4.08	8.66	6.93	5.47	(2) 3/4"-10	10.62	1.18	ES600-4	117.8	MHPW13RE6S	MHPW63RE6S
8"	2.88	20.35	24.62	9.51	4.54	10.24	8.46	7.36	(2) 7/8"-9	13.00	1.18	ES950-4	170.1	NHPW13RE6S	NHPW63RE6S
10"	3.27	25.08	27.29	10.81	5.21	11.42	9.53	9.21	(4) 1"-8	15.25	1.18	ES1600-4	250.1	OHPW13RE6S	OHPW63RE6S
12"	3.62	22.44	31.00	14.17	6.89	12.80	10.75	10.83	(4) 1-1/8"-8	17.75	1.18	PS2500-4	319.0	PHPW13RE6S	PHPW63RE6S

### HPW3 VALVE FEATURES

- Wafer style, ANSI Class 300, high performance butterfly valve.
- Carbon steel or 316 stainless steel body.
- 316 stainless steel disc and 17/4PH stem.
- RTFE seat.
- Pressure range: 740 PSI.

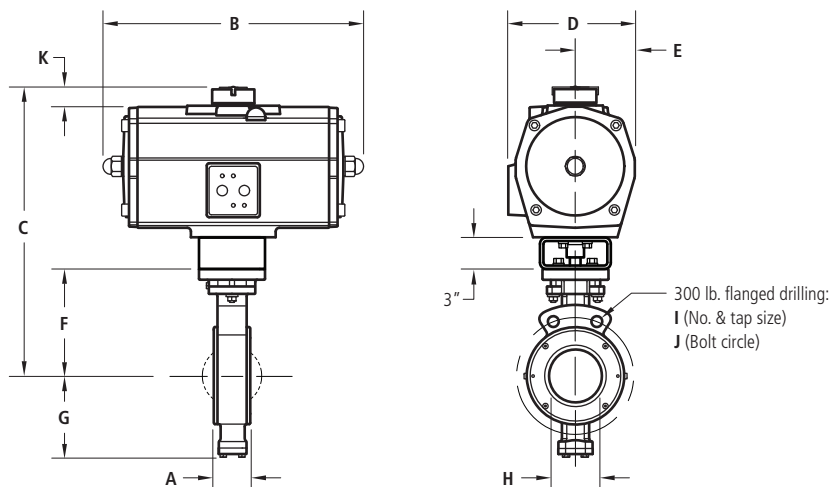
### PNEUMATIC ACTUATOR FEATURES

- E Series spring return rack and pinion actuator.
- Corrosion resistant coating.
- NAMUR solenoid mounting pad, ISO 5211 mounting standard.
- Visual position indicator.
- High duty cycle, permanent lubrication.
- Temperature range: -4°F to 175°F.

# HPW3EDA Series

## 300 lb. wafer style butterfly valve with double acting pneumatic actuator

(Actuators are sized for 300 PSI liquid media line pressure, contact factory for higher line pressure ratings)



### DIMENSIONS, WEIGHTS & SPECIFICATIONS

Size	A	B	C	D	E	F	G	H	I	J	K	Actuator	Wt. (lbs.)	Model No.	
														CS	316 SS
<b>80 psig Minimum Actuator Air Supply = 8D</b>															
2"	1.69	7.83	12.84	4.19	1.93	4.92	3.94	1.85	(2) 5/8"-11	5.00	.79	ED65	22.3	HHPW13RE8D	HHPW63RE8D
2-1/2"	1.85	7.83	13.79	4.19	1.93	5.87	4.02	2.36	(2) 3/4"-10	5.88	.79	ED65	26.3	IHPW13RE8D	IHPW63RE8D
3"	1.89	7.83	14.22	4.19	1.93	6.30	4.41	2.87	(2) 3/4"-10	6.62	.79	ED65	29.3	JHPW13RE8D	JHPW63RE8D
4"	2.13	8.70	15.45	4.60	2.12	7.01	4.88	3.74	(2) 3/4"-10	7.88	.79	ED100	38.8	KHPW13RE8D	KHPW63RE8D
5"	2.25	11.14	17.02	5.39	2.52	7.60	5.55	4.69	(2) 3/4"-10	9.25	.79	ED200	53.8	LHPW13RE8D	LHPW63RE8D
6"	2.32	11.14	18.08	5.39	2.52	8.66	6.93	5.47	(2) 3/4"-10	10.62	.79	ED200	69.8	MHPW13RE8D	MHPW63RE8D
8"	2.88	12.01	21.16	7.12	3.41	10.24	8.46	7.36	(2) 7/8"-9	13.00	.79	ED350	107.9	NHPW13RE8D	NHPW63RE8D
10"	3.27	15.24	24.26	8.52	4.08	11.42	9.53	9.21	(4) 1"-8	15.25	1.18	ED600	147.8	OHPW13RE8D	OHPW63RE8D
12"	3.62	16.69	27.18	9.51	4.54	12.80	10.75	10.83	(4) 1-1/8"-8	17.75	1.18	ED950	183.2	PHPW13RE8D	PHPW63RE8D
<b>60 psig Minimum Actuator Air Supply = 6D</b>															
2"	1.69	8.70	13.36	4.60	2.12	4.92	3.94	1.85	(2) 5/8"-11	5.00	.79	ED100	23.8	HHPW13RE6D	HHPW63RE6D
2-1/2"	1.85	8.70	14.31	4.60	2.12	5.87	4.02	2.36	(2) 3/4"-10	5.88	.79	ED100	27.8	IHPW13RE6D	IHPW63RE6D
3"	1.89	8.70	14.74	4.60	2.12	6.30	4.41	2.87	(2) 3/4"-10	6.62	.79	ED100	30.8	JHPW13RE6D	JHPW63RE6D
4"	2.13	11.14	16.43	5.39	2.52	7.01	4.88	3.74	(2) 3/4"-10	7.88	.79	ED200	44.8	KHPW13RE6D	KHPW63RE6D
5"	2.25	11.14	17.02	5.39	2.52	7.60	5.55	4.69	(2) 3/4"-10	9.25	.79	ED200	53.8	LHPW13RE6D	LHPW63RE6D
6"	2.32	11.14	18.08	5.39	2.52	8.66	6.93	5.47	(2) 3/4"-10	10.62	.79	ED200	69.8	MHPW13RE6D	MHPW63RE6D
8"	2.88	12.01	21.16	7.12	3.41	10.24	8.46	7.36	(2) 7/8"-9	13.00	.79	ED350	107.9	NHPW13RE6D	NHPW63RE6D
10"	3.27	15.24	24.26	8.52	4.08	11.42	9.53	9.21	(4) 1"-8	15.25	1.18	ED600	147.8	OHPW13RE6D	OHPW63RE6D
12"	3.62	16.69	27.18	9.51	4.54	12.80	10.75	10.83	(4) 1-1/8"-8	17.75	1.18	ED950	183.2	PHPW13RE6D	PHPW63RE6D

### HPW3 VALVE FEATURES

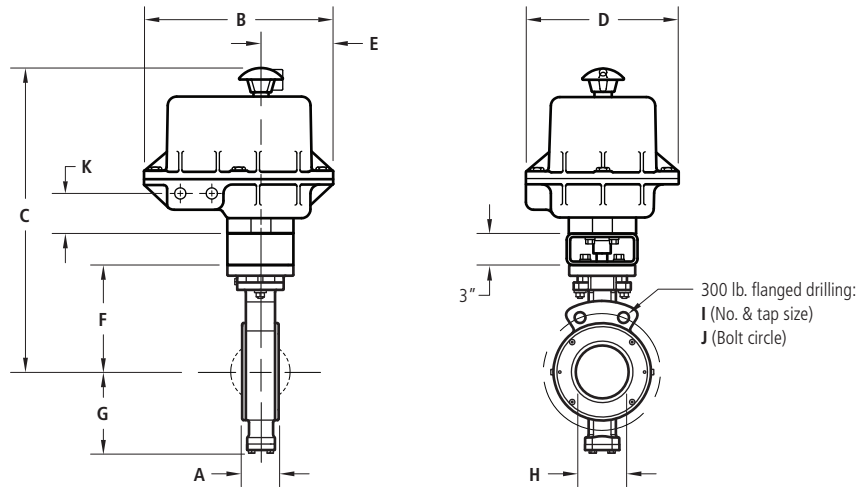
- Wafer style, ANSI Class 300, high performance butterfly valve.
- Carbon steel or 316 stainless steel body.
- 316 stainless steel disc and 17/4PH stem.
- RTFE seat.
- Pressure range: 740 PSI.

### PNEUMATIC ACTUATOR FEATURES

- E Series double acting rack and pinion actuator.
- Corrosion resistant coating.
- NAMUR solenoid mounting pad, ISO 5211 mounting standard.
- Visual position indicator.
- High duty cycle, permanent lubrication.
- Temperature range: -4°F to 175°F.

## HPW3B7 Series 2" to 4" Sizes

300 lb. wafer style butterfly valve with explosion proof electric actuator, NEMA 7, 120 VAC  
(Actuators are sized for 300 PSI liquid media line pressure, contact factory for higher line pressure ratings)



### DIMENSIONS, WEIGHTS & SPECIFICATIONS

Size	A	B	C	D	E	F	G	H	I	J	K	Actuator	Wt. (lbs.)	Model No.	
														CS	316 SS
2"	1.69	9.75	17.36	7.75	3.75	4.92	3.94	1.85	(2) 5/8"-11	5.00	2.44	BEEM510F	35.0	HHPW13RSB7	HHPW63RSB7
2-1/2"	1.85	9.75	18.31	7.75	3.75	5.87	4.02	2.36	(2) 3/4"-10	5.88	2.44	BEEM510F	39.0	IHPW13RSB7	IHPW63RSB7
3"	1.89	9.75	18.74	7.75	3.75	6.30	4.41	2.87	(2) 3/4"-10	6.62	2.44	BEEM510F	42.0	JHPW13RSB7	JHPW63RSB7
4"	2.13	9.75	19.45	7.75	3.75	7.01	4.88	3.74	(2) 3/4"-10	7.88	2.44	BEEM510F	50.0	KHPW13RSB7	KHPW63RSB7

### HPW3 VALVE FEATURES

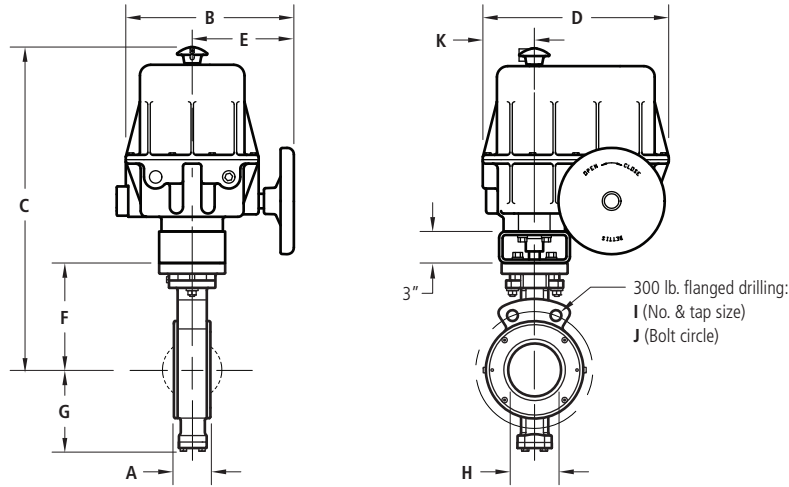
- Wafer style, ANSI Class 300, high performance butterfly valve.
- Carbon steel or 316 stainless steel body.
- 316 stainless steel disc and 17/4PH stem.
- RTFE seat.
- Pressure range: 740 PSI.

### ELECTRIC ACTUATOR FEATURES

- B7 Series electric actuator.
- Actuator speed: 15 sec.
- NEMA 4, 4x, 7 and 9; CSA approved.
- Weatherproof.
- Class I Groups C and D, Div. 1.
- Class II Groups E, F and G.
- (2) 1/2" NPT conduit entries.
- Manual override.
- Visual position indicator.
- CSA certified.
- Temperature range: 0°F to 160°F.

# HPW3B7 Series 5" to 12" Sizes

300 lb. wafer style butterfly valve with explosion proof electric actuator, NEMA 7, 120 VAC  
(Actuators are sized for 300 PSI liquid media line pressure, contact factory for higher line pressure ratings)



## DIMENSIONS, WEIGHTS & SPECIFICATIONS

Size	A	B	C	D	E	F	G	H	I	J	K	Actuator	Wt. (lbs.)	Model No.	
														CS	316 SS
5"	2.25	13.31	25.98	14.00	7.62	7.60	5.55	4.69	(2) 3/4"-10	9.25	3.88	BEEM82018C	201.0	LHPW13RSB7	LHPW63RSB7
6"	2.32	13.31	27.04	14.00	7.62	8.66	6.93	5.47	(2) 3/4"-10	10.26	3.88	BEEM82018C	217.0	MHPW13RSB7	MHPW63RSB7
8"	2.88	13.31	28.62	14.00	7.62	10.24	8.46	7.36	(2) 7/8"-9	13.00	3.88	BEEM82018C	245.0	NHPW13RSB7	NHPW63RSB7
10"	3.27	13.31	29.80	14.00	7.62	11.42	9.53	9.21	(4) 1"-8	15.25	3.88	BEEM83018C	265.0	OHPW13RSB7	OHPW63RSB7
12"	3.62	13.31	31.18	14.00	7.62	12.80	10.75	10.83	(4) 1-1/8"-8	17.50	3.88	BEEM83018C	285.0	PHPW13RSB7	PHPW63RSB7

### HPW3 VALVE FEATURES

- Wafer style, ANSI Class 300, high performance butterfly valve.
- Carbon steel or 316 stainless steel body.
- 316 stainless steel disc and 17/4PH stem.
- RTFE seat.
- Pressure range: 740 PSI.

### ELECTRIC ACTUATOR FEATURES

- B7 Series electric actuator.
- Actuator speed: 18 sec.
- NEMA 4, 7 and 9; CSA approved.
- Weatherproof.
- Class I Groups C and D, Div. 1.
- Class II Groups E, F and G.
- (2) 1/2" NPT conduit entries.
- Manual override.
- Visual position indicator.
- CSA certified.
- Temperature range: 0°F to 160°F.