

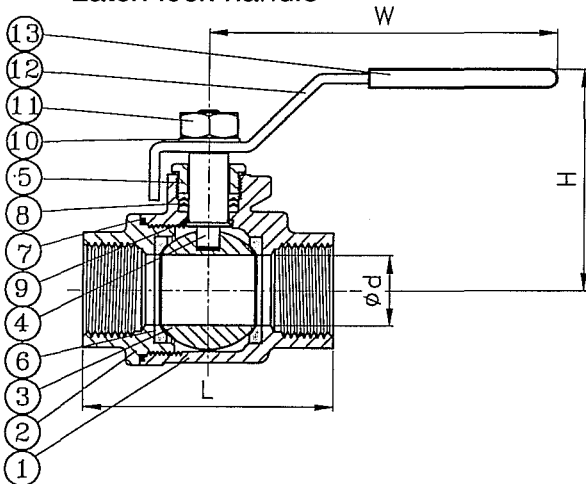
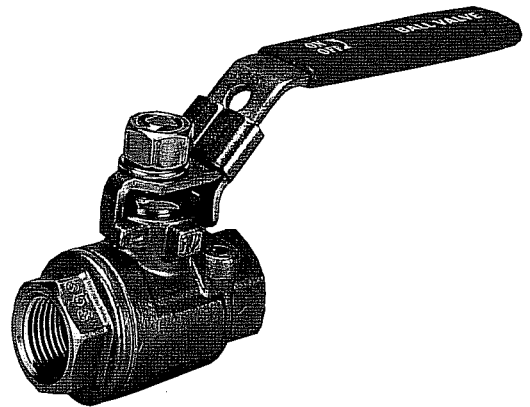
FIG# 266FT

316 STAINLESS STEEL BALL VALVE

2-PC. FULL PORT BALL VALVE, 1000WOG, NPT THREADED ENDS, WITH MOUNTING PAD DRILLED AND TAPPED AND LOCKING HANDLE.

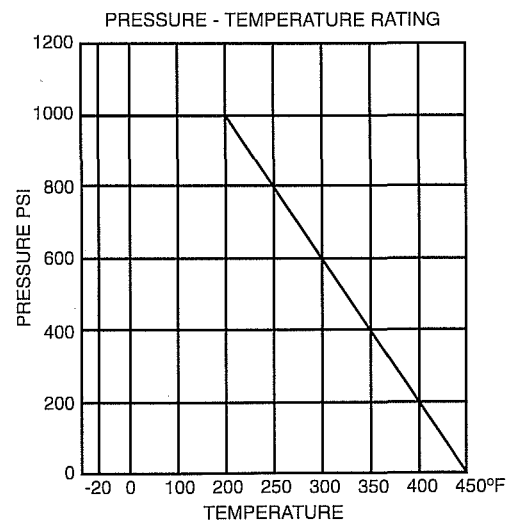
Features

- ISO 9002
- The thread ends conform to ASME B 1.20.1(NPT) DIN 2999 & BS21 ISO 228/1 & ISO 7/1
- Investment casting
- Blow-out proof stem
- Full port
- 1000 psi W.O.G.
- 15% glass fiberfill PTFE reinforced seat
- PTFE seal & packing
- Mounting pad drilled & tapped
- Latch lock handle



ITEM	PARTS	MATERIAL
1	BODY CAP	ASTM A351-CF8M
2	CAP	ASTM A351-CF8M
3	BALL	ASTM A351-CF8M
4	STEM	ASTM A276-316
5	GLAND NUT	AISI 304
6	BALL SEAT	R-PTFE
7	BODY SEAL	PTFE
8	PACKING	PTFE
9	THRUST WASHER	PTFE
10	SPRING WASHER	AISI 304
11	NUT	AISI 304
12	HANDLE	AISI 304
13	HANDLE SLEEVE	PVC

SIZE	ød	L	H	W	CV FACTOR	WT	TORQUE IN LBS
1/4"	0.46	2.36	1.97	3.94	10	0.57	36
3/8"	0.50	2.36	1.97	3.94	10	0.62	36
1/2"	0.59	2.56	1.97	3.94	12	0.66	39
3/4"	0.79	3.07	2.36	4.92	35	1.21	52
1"	0.98	3.54	2.76	6.30	60	1.85	65
1-1/4"	1.26	3.94	3.15	6.30	100	2.78	78
1-1/2"	1.50	4.72	3.54	7.48	150	4.41	117
2"	1.97	5.43	3.54	7.48	250	6.9	143
2-1/2"	2.56	6.54	5.71	9.84	400	13.2	390
3"	3.15	7.68	5.71	9.84	600	22.3	412



ASSURED
AUTOMATION

www.assuredautomation.com

e-mail: assured@flows.com

1-800-899-0553

19 Walnut Avenue, Clark, New Jersey 07066
Fax: 732-381-2922